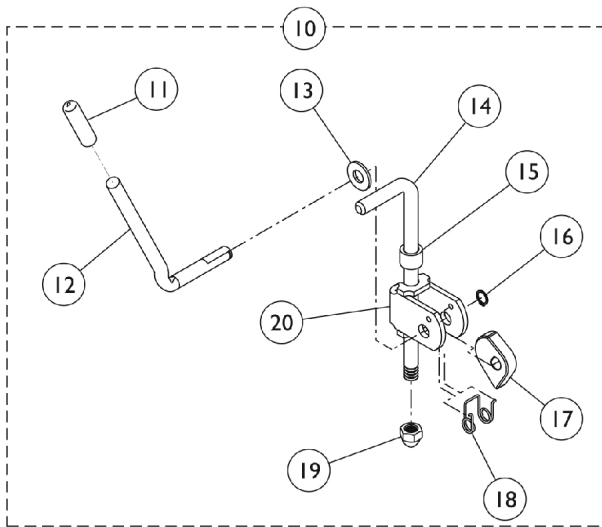
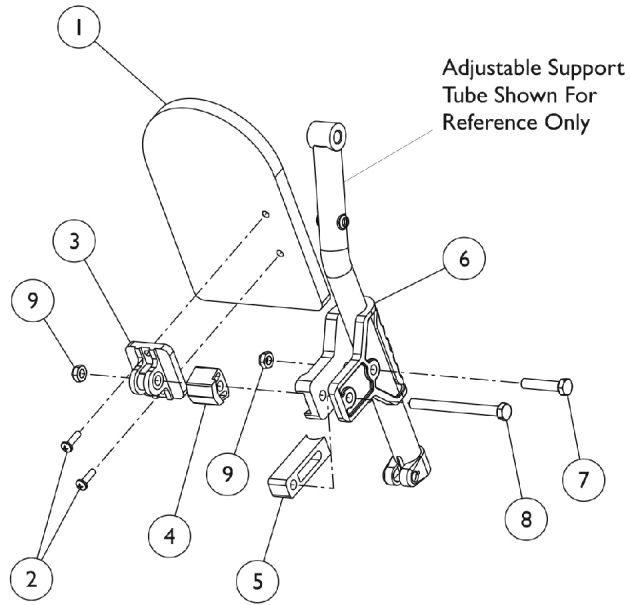
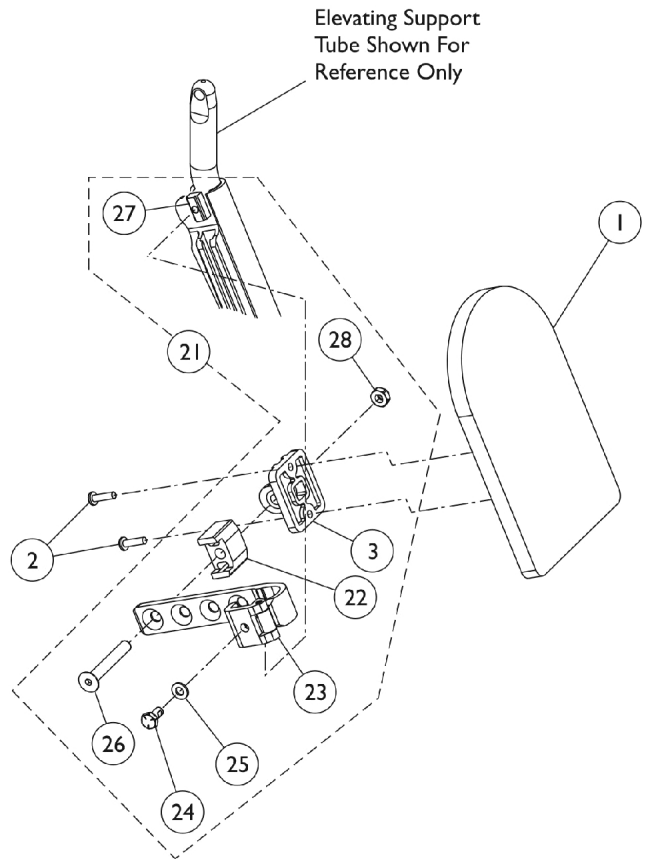


Legrest Calf Pads and Ratchet Assemblies



**AT5044 - Ratchet Style
Legrest Calf Pad and Ratchet Assembly
w/ Mtg. Hardware (Before 9/21/05)**



**AT5044 - Wedge Style
Legrest Calf Pad w/ Mtg. Hardware
(After 9/20/05)**

Legrest Calf Pads and Ratchet Assemblies

Item Number	Note	Part Number	Description	Quantity Per	
				Package	Assembly
1	A,B	88804529X003	Pad, Legrest, Vinyl - Right	1	1
1	A,B	88804529X004	Pad, Legrest, Vinyl - Left	1	1
1	A,C	8881091764	Pad, Legrest, Vinyl - Right/Left	1	1
2		40163X006-NLA	NLA - Screw, Phillips Pan Head (#10-14 x 1/16")	1	2
3		04526X019	Plate, Legrest Pad	1	1
4		1025133	Spacer, Legrest Pad, Black	1	1
5		1032267	Spacer, Legrest Pad Mounting, Black	1	1
6		1032266	Bracket, Legrest Pad Mounting, Black	1	1
7		1028514	Screw, Hex Head (5/16-24 x 1-1/2")	1	1
8		1037110	Screw, Hex Head (5/16-24 x 3-1/2")	1	1
9		1025730	Locknut (5/16-24)	1	2
10	D,G	1046329	Kit, Elevating Legrest Ratchet Hardware (Pair)	1	1
10	G,J	1096974	Kit, Elevating Legrest Ratchet Hardware (Pair)	1	1
11		1040060	Tip, Plastic, Black	1	2
12		1037126	Handle, Release	1	2
13		1013519	Washer, Nylon (5/16 x 11/16 x 1/16")	1	2
14	D	42326X004	Bar, Ratchet - Right/Left	1	2
14	E	42326X001	Bar, Ratchet	1	2
15		47330X003	Spacer (5/16 x 1/2 x 3/8")	1	2
16		1040831	Ring, Snap	1	2
17		1037125	Cam, Legrest	1	2
18		1037485	Spring, Release	1	2
19		10261X000	Nut, Acorn (5/16-24)	1	2
20		04528X002	Bracket, Release, Black	1	2
	D,F,K	1042798-NLA	NLA - Instruction Sheet, Ratchet Kit	1	1
	F,J,L	1096943-NLA	NLA - Instruction Sheet, Ratchet Kit	1	1
21	E,H	1130754	Kit, Legrest Pad Hardware	1	1
3			Plate, Legrest Pad	1	1
22			Spacer, Legrest Pad, Black	1	1
23			Bracket Assembly, Adjustable Legrest Pad, Color	1	1
24			Screw, Hex Head w/ Patch (1/4-20 x 1/2")	1	1
25			NLA - Washer, Steel (1/4 x 1/2 x 3/64")	1	1
26			Screw, Socket Flat Head (5/16-18 x 2-1/4")	1	1
27			T-Nut (1/4-20)	1	1
28			Locknut (5/16-18)	1	1

NOTE: A - Specify U67 upholstery color when ordering.
 B - 14-15" wide chairs
 C - 16-22" wide chairs
 D - ATL4A Articulating Legrests
 E - Used only on Wedge Style Elevating Legrests (AT5044).
 F - Not Shown
 G - Includes items 11-20 plus instruction sheet
 H - Includes item 3 and items 22-28.
 J - Used with Ratchet Style Legrests (AT5044, AT5544).
 K - Item is no longer available from the Invacare Service Parts Department. Refer to the Invacare Website under "Product Literature Search". Enter the part number in the "Keywords" field and download a free PDF version copy.
 L - Item is no longer available from the Invacare Service Parts Department. Refer to the Invacare Website under "Product Literature Search". Enter the part number in the "Keywords" field and download a free PDF version copy.