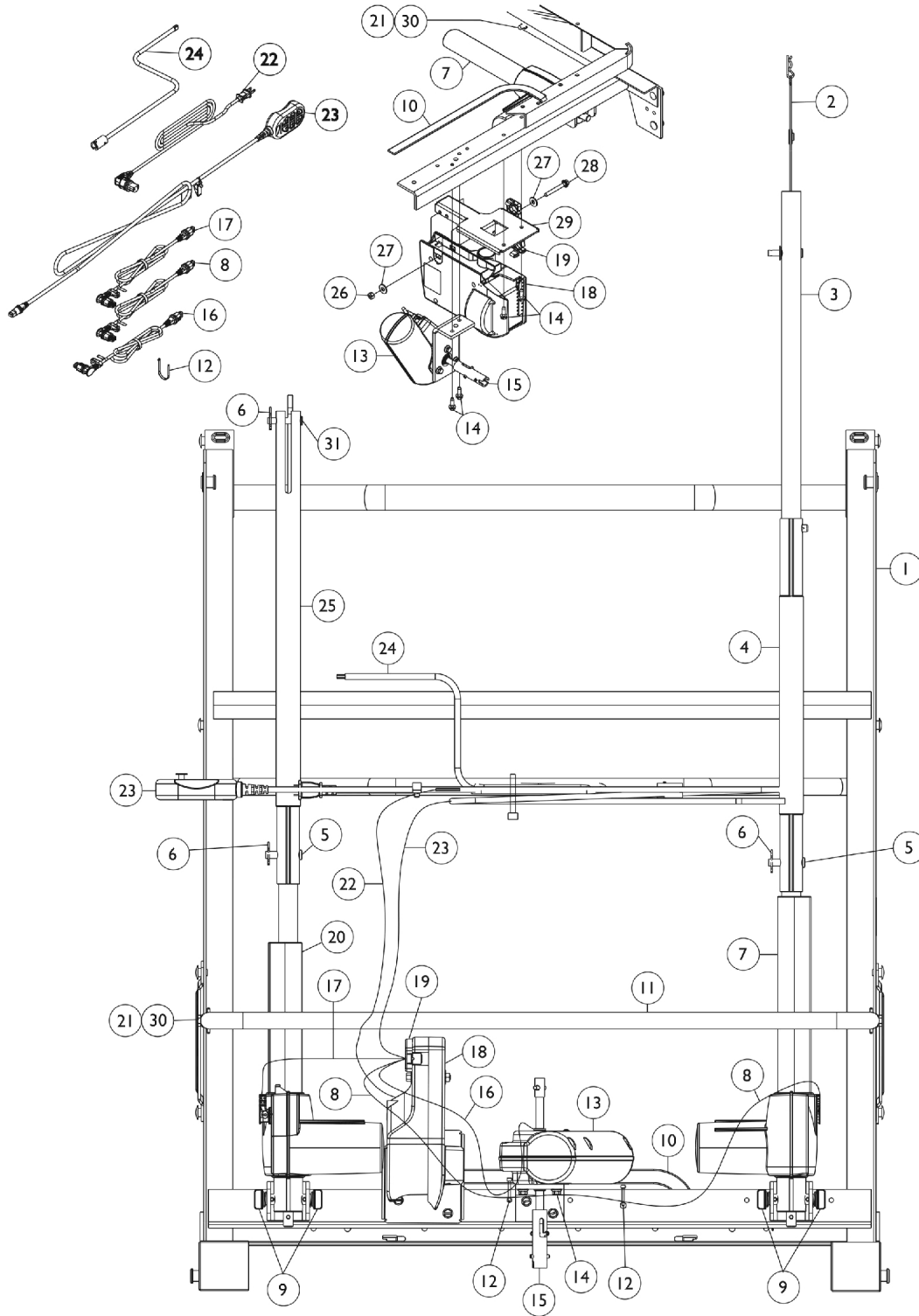


Foot Spring - Full Electric 5490IVC & 5491IVC

Drawing shows detailed view of frame from beneath the bed.



Foot Spring - Full Electric 5490IVC & 5491IVC

Item Number	Note	Part Number	Description	Quantity Per	
				Package	Assembly
1	R	5770M028	Frame, Foot Spring (w/o Fabric), Brown	1	1
1		5770M000	Frame, Foot Spring (w/ Fabric)	1	1
2		5880M006	Lanyard with Hitch Pin Assembly	1	1
3	L	1122827	Tube, Pull, Head End Assembly	1	1
4	J	1115561	Tube, Pull, Motor Head - Outer	1	1
5		026976	Pin, Clevis (3/8 x 1-3/4")	1	2
6		51000M743	Pin, Hitch (3/8 x 1-3/16")	1	3
7	G	1121270	Kit, Head Motor Assembly	1	1
			Motor, Head with Pull Tube	1	1
			Instruction Sheet, Motor Head Assembly	1	1
8		1116641	Cable, Head Actuator w/ Blue O-Ring	1	1
9		5300M054	Mount, Motor	1	4
10		026159	Stop, Mattress	1	1
11	P	1121172	Guard, Motor	1	1
11	Q	1161264-NLA	NLA - Kit, Motor Guard	1	1
11			NLA - Guard, Motor (5-3/4" Tall)	1	1
21			Screw, Hex Head Flanged (5/16-18 x 3/4")	1	2
30			NLA - Nut, Keps (5/16-18)	1	2
			Instruction Sheet, Motor Guard Kit	1	1
12		51000M562-NLA	NLA - Tie Wrap	1	3
13		1116653	Motor, Hi/Lo with Bracket	1	1
14		54000M515	Screw, Slotted Hex Head Tap (1/4-20 x 3/4")	1	4
15		52000M337-NLA	NLA - Kit, Coupling Replacement (Includes: Coupling, Spring, Roll Pin, and Instruction Sheet)	1	1
	S,T	51000M100	Compression Spring	1	1
	S,T	51000M976	Roll Pin (3/16" x 1")	1	2
	S,T	5880M043	Coupling Assembly	1	1
16		1116640	Cable, Hi-Lo Motor w/ Red O-Ring (Head End)	1	1
17		1116642	Cable, Foot Actuator w/ Yellow O-Ring	1	1
18	B,E	1117178	Controller/Junction Box, 6 Channel	1	1
18	C,E	1119167	Controller/Junction Box, 3 Function - Canadian	1	1
19		1116655	Lock, Cable	1	1
20	F,H	1116644	Motor, Foot with Pull Tube	1	1
21		1168862	Screw, Hex Head Flanged (5/16-18 x 3/4")	1	2
22		1128179	Cord, Power	1	1
23	B	1115290	Pendant, Full Electric, 6 Channel	1	1
23	C	1119171	Pendant, Full Electric, 6 Channel - Canadian	1	1
24		5880M004	Crank, Emergency, Dark Brown	1	1
25	I	1115557	Tube, Pull, Motor Foot	1	1
26		15108X000	Locknut (1/4-20)	1	1
27		007478	Washer (13/32 x 13/16 x 1/16)	1	2
28		54000M179	Screw, Hex Head (1/4-20 x 2")	1	1
29		1127718	Bracket, Control Box Mounting	1	1
30		000037-NLA	NLA - Nut, Keps (5/16-18)	1	2
31		53000M957	Pin, Clevis (5/16 x 1-11/16")	1	1

Foot Spring - Full Electric 5490IVC & 5491IVC

Item Number	Note	Part Number	Description	Quantity Per	
				Package	Assembly
	A,M,N	1127719-NLA	NLA - Kit, Control/Junction Box Mounting Bracket	1	1
	A	51000M134	Fabric, Link - Foot Spring (19 x 7")	1	1
	A	51000M136	Spring, Helical (18 turns)	1	6
	A,O	51000M135	Spring, Helical (11 turns)	1	20
	A,K	1123977-NLA	NLA - Cable Tie	1	1
	A,B	1114836	Owner's Manual, IVC Beds - U.S.	1	1
	A,C	1118372	Owner's Manual, IVC Beds - French/Canadian	1	1
	A,D	026975-NLA	NLA - Clip, Pendant - Plastic "C"	1	1
	A	1111018	Decal, 450 LB Weight Capacity	1	1

NOTE: A - Not Shown.
 B - US Models Only.
 C - Canadian Models Only.
 D - Accessory Item, Does not come with the Assembly.
 E - This item is separate from the Foot Motor and Clip-Lock. When Having these items serviced, please disconnect parts from one another.
 F - This item is separate from the Controller and Clip-Lock. When Having these items serviced, please disconnect parts from one another.
 G - Includes: Items 3-6.
 H - Includes: Items 5-6, 25, and 31.
 I - This is an individual part, please see item #20 for the complete assembly.
 J - This is an individual part, please see item #7 for the complete assembly.
 K - Used for Controller/Junction Box.
 L - Includes: Item #2.
 M - The Control/Junction Box location was moved from being attached to the Foot Motor to attached to the Bed Frame 6/30/04. If your Bed was manufactured before 6/30/04, please order the Control/Junction Box Mounting Kit for proper installation.
 N - Includes: Items 14, and 26-29.
 O - As of 9/22/08 the number of 11 turn Helical Springs used is a quantity of 20 and is applicable to Foot Springs manufactured before 9/22/08 as well.
 P - Before 5/18/09
 Q - After 5/17/09. The motor support bracket was relocated from the motor guard to the foot frame assembly. This improves alignment of the head motor shaft and pull tube assembly when attached to the head section lift arm.
 R - Part cannot be serviced in the field. Invacare uses a stretching machine to put the springs on.
 S - Not shown in illustration. Used to replace Item 15 (52000M337).
 T - An instruction sheet (Part No. 54000M740) for the Coupling Replacement is available to download at invacare.com under the "Product Literature Search" link.

Part number 5770M028 cannot be serviced in the field. Invacare uses a stretching machine to put the springs on.