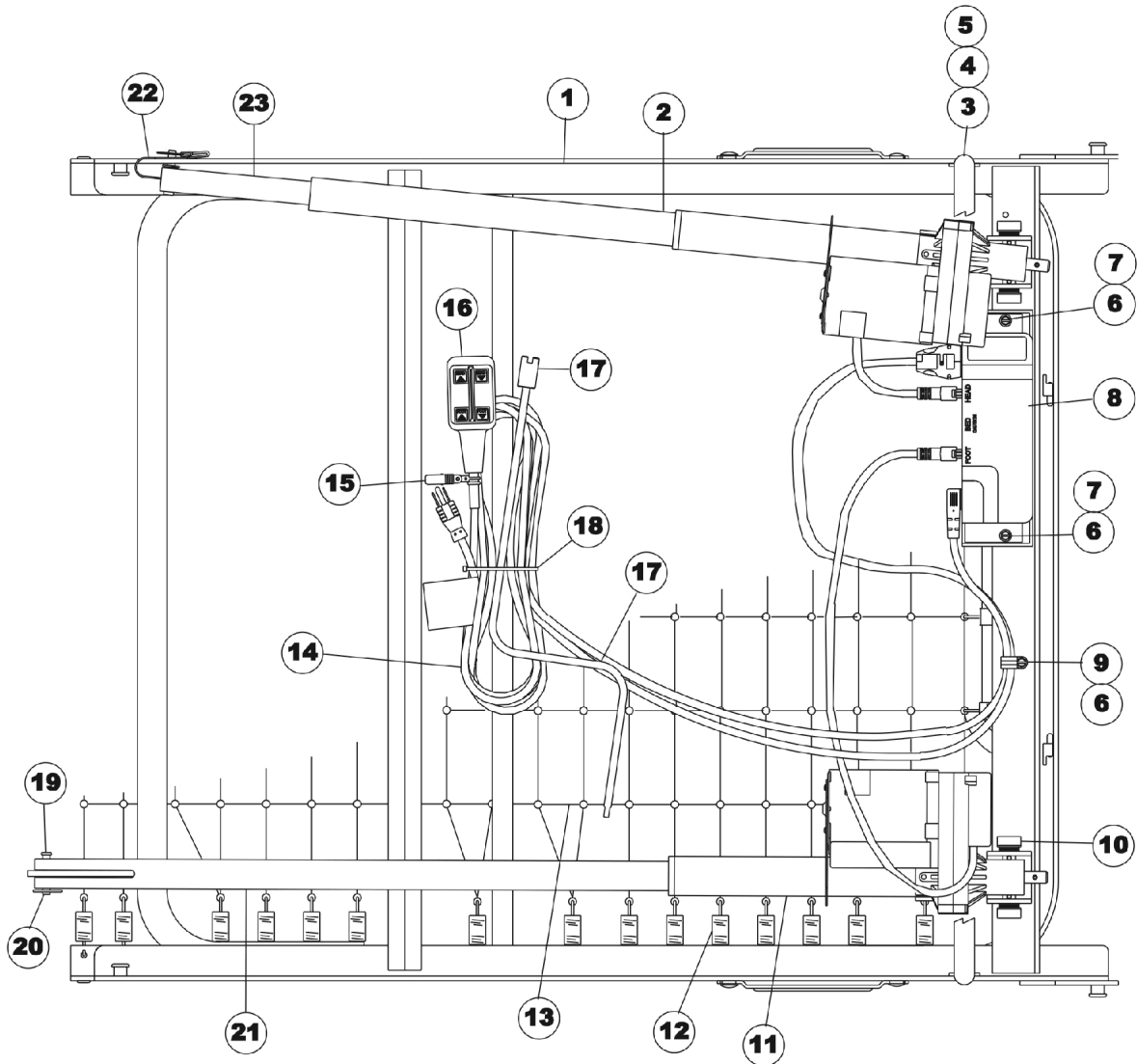


# Foot Springs - Semi Electric (5890, 5891, 5892)

5891 discontinued 6/03

5892 discontinued 6/03



# Foot Springs - Semi Electric (5890, 5891, 5892)

5891 discontinued 6/03

5892 discontinued 6/03

Item Number	Note	Part Number	Description	Quantity Per	
				Package	Assembly
1	G	5770M028	Frame, Foot Spring (w/o Fabric), Brown	1	1
2	D	7001M300-NLA	NLA - Motor, Head	1	1
2	B,D	7001M327-NLA	NLA - Motor, Head	1	1
2	C,D	7001M324-NLA	NLA - Motor, Head (220V)	1	1
3		54000M492-NLA	NLA - Guard, Motor (5-3/4" Tall)	1	1
4		1168862	Screw, Hex Head Flanged (5/16-18 x 3/4")	1	2
5		000037-NLA	NLA - Nut, Keps (5/16-18)	1	2
6		54000M515	Screw, Slotted Hex Head Tap (1/4-20 x 3/4")	1	3
7		54000M516-NLA	NLA - Spacer, Round (1/4 x 1/2 x 1/4")	1	2
8		1104345-NLA	NLA - Control/Junction Box, Semi Electric (4 Function) - US/Canada Models, Low Voltage Square Plug	1	1
			Instruction Sheet, Junction Box	1	1
			Control Box/Junction Box - 4F	1	1
9		54000M493	Clamp, Cable, Steel (9/16")	1	1
10		5300M054	Mount, Motor	1	4
11	E	7001M305-NLA	NLA - Motor, Foot	1	1
11	B,E	7001M328-NLA	NLA - Motor, Foot	1	1
11	C,E	7001M325-NLA	NLA - Motor, Foot (220V)	1	1
12		51000M135	Spring, Helical (11 turns)	1	34
13		51000M134	Fabric, Link - Foot Spring (19 x 7")	1	1
14		1106019	Cord, Power with Ground Label - U.S./Canadian Models	1	1
14	C	54000M823-NLA	NLA - Cord, Power, International Models (5892/5492 only)	1	1
15	H	54000M441	Clip, Pendant	1	1
	A	52000M316-NLA	NLA - Kit, Pendant Clip w/ Instruction Sheet	1	1
16		7001M298	Pendant, Semi-Electric, 4 Channel	1	1
17		5880M004	Crank, Emergency, Dark Brown	1	1
18		51000M562-NLA	NLA - Tie Wrap	1	1
19		53000M957	Pin, Clevis (5/16 x 1-11/16")	1	1
20		51000M743	Pin, Hitch (3/8 x 1-3/16")	1	1
21	E	53000M802-NLA	NLA - Pull Tube, Foot End	1	1
22	F	5880M006	Lanyard with Hitch Pin Assembly	1	1
23	D	5880M061-NLA	NLA - Tube, Pull, Head End Assembly	1	1
	A	51000M136	Spring, Helical (18 turns)	1	6
	A,B	54000M818-NLA	NLA - Bracket, Connector Lock-Out (5891/5491 only)	1	1
	A	51000M493-NLA	NLA - Owner's Manual, Homecare Beds - U.S.	1	1
	A,B	54000M776	Owner's Manual, French/Canadian	1	1
	A,C	54000M544-NLA	NLA - Owner's Manual, Homecare Beds - International	1	1
	A	026159	Stop, Mattress	1	1

# Foot Springs - Semi Electric (5890, 5891, 5892)

5891 discontinued 6/03

5892 discontinued 6/03

NOTE: A - Not Shown.  
B - Used on 5891 Canadian Model only.  
C - Used on 5892 International Model only.  
D - 5880M061 Head End Pull Tube is included when you order 7001M300 and/or 7001M327 Head Motor.  
E - 5300M802 Foot End Pull Tube is included when you order 7001M305 and/or 7001M328 Foot Motor.  
F - 5880M006 Lanyard w/Hitch Pin is included with 5880M061 Head End Pull Tube.  
G - Part cannot be serviced in the field. Invacare uses a stretching machine to put the springs on.  
H - An instruction sheet for the Pendant Clips (Part. No. 5400M181) is available to download at [invacare.com](http://invacare.com) under "Product Literature Search" link.

Part number 5770M028 cannot be serviced in the field. Invacare uses a stretching machine to put the springs on.