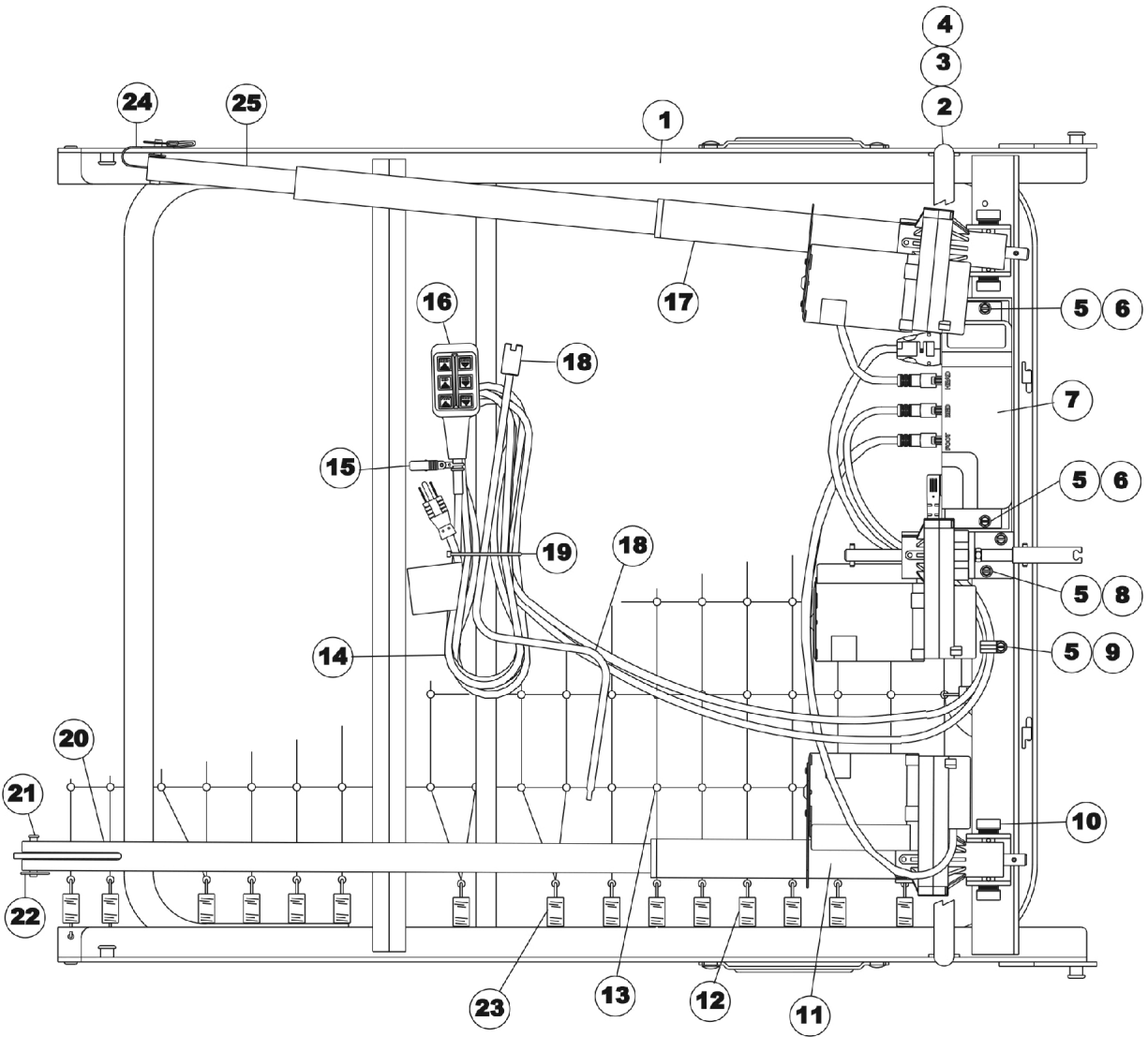


# Foot Spring - Full Electric

## 5490

discontinued 6/03



# Foot Spring - Full Electric 5490

discontinued 6/03

Item Number	Note	Part Number	Description	Quantity Per	
				Package	Assembly
1	D	5770M028	Frame, Foot Spring (w/o Fabric), Brown	1	1
1		5770M000	Frame, Foot Spring (w/ Fabric)	1	1
2		54000M492-NLA	NLA - Guard, Motor (5-3/4" Tall)	1	1
3		1168862	Screw, Hex Head Flanged (5/16-18 x 3/4")	1	2
4		000037-NLA	NLA - Nut, Keps (5/16-18)	1	2
5		54000M515	Screw, Slotted Hex Head Tap (1/4-20 x 3/4")	1	5
6		54000M516-NLA	NLA - Spacer, Round (1/4 x 1/2 x 1/4")	1	2
7	E	1104343	Kit, Control/Junction Box, Full Electric, (6 Function) - US / Canadian Models, Low Voltage Square Plug	1	1
8		7001M308-NLA	NLA - Motor, Hi/Lo with Bracket Assembly	1	1
	A	52000M337-NLA	NLA - Kit, Coupling Replacement (Includes: Coupling, Spring, Roll Pin, and Instruction Sheet)	1	1
	G,H	51000M100	Compression Spring	1	1
	G,H	51000M976	Roll Pin (3/16" x 1")	1	2
	G,H	5880M043	Coupling Assembly	1	1
9		54000M493	Clamp, Cable, Steel (9/16")	1	1
10		5300M054	Mount, Motor	1	4
11		7001M305-NLA	NLA - Motor, Foot	1	1
12		51000M135	Spring, Helical (11 turns)	1	34
13		51000M134	Fabric, Link - Foot Spring (19 x 7")	1	1
14		1106019	Cord, Power with Ground Label - U.S./Canadian Models	1	1
15	F	54000M441	Clip, Pendant	1	1
	A	52000M316-NLA	NLA - Kit, Pendant Clip w/ Instruction Sheet	1	1
16		7001M297	Pendant, Full Electric, 6 Channel	1	1
17		7001M300-NLA	NLA - Motor, Head	1	1
18		5880M004	Crank, Emergency, Dark Brown	1	1
19		51000M562-NLA	NLA - Tie Wrap	1	1
20	B	53000M802-NLA	NLA - Pull Tube, Foot End	1	1
21		53000M957	Pin, Clevis (5/16 x 1-11/16")	1	1
22		51000M743	Pin, Hitch (3/8 x 1-3/16")	1	1
23		51000M136	Spring, Helical (18 turns)	1	6
24		5880M006	Lanyard with Hitch Pin Assembly	1	1
25	C	5880M061-NLA	NLA - Tube, Pull, Head End Assembly	1	1
	A	51000M493-NLA	NLA - Owner's Manual, Homecare Beds - U.S.	1	1
	A	026159	Stop, Mattress	1	1

NOTE: A - Not Shown.  
 B - This part is included in Item # 11.  
 C - This part is included in Item # 17.  
 D - Part cannot be serviced in the field. Invacare uses a stretching machine to put the springs on.  
 E - Includes Junction Box and installation instructions.  
 F - An instruction sheet (Part. No. 54000M181) for the Pendant Clips is available to download at [invacare.com](http://invacare.com) under "Product Literature Search" link.  
 G - Not shown in illustration. Used to replace Part Number 52000M337.  
 H - An instruction sheet (Part No. 54000M740) for the Coupling Replacement is available to download at [invacare.com](http://invacare.com) under the "Product Literature Search" link.

Part number 5770M028 cannot be serviced in the field. Invacare uses a stretching machine to put the springs on.