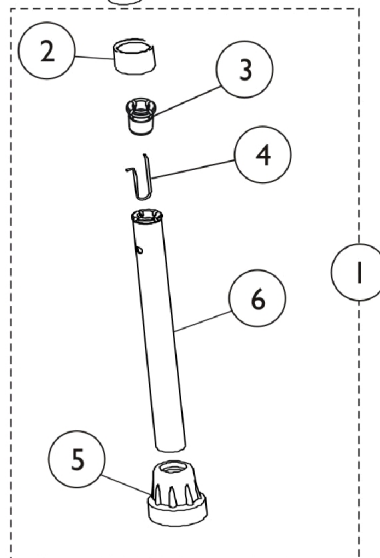
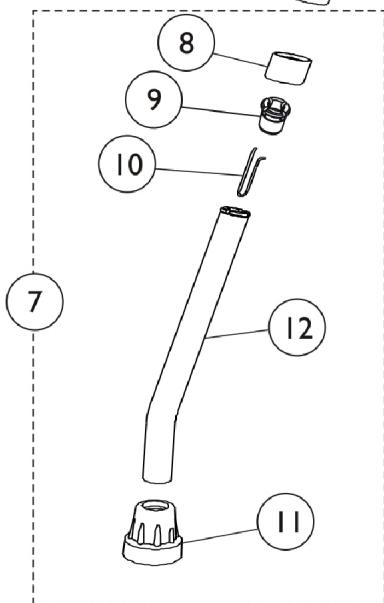
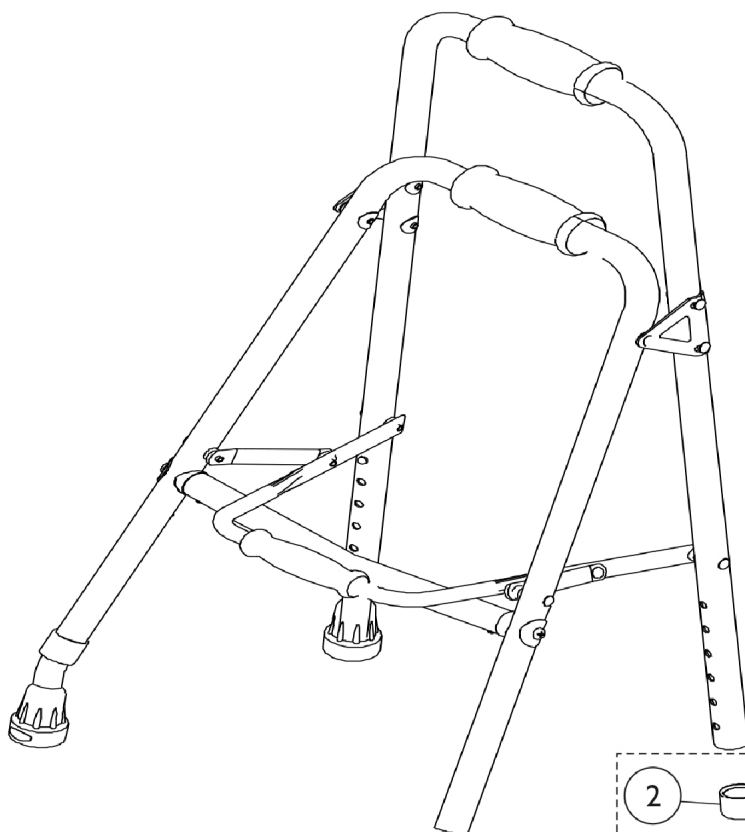


Walker (Hemi)

Model 6252 (Single Pack)



Walker (Hemi)

Item Number	Note	Part Number	Description	Quantity Per	
				Package	Assembly
1	A	1099284-NLA	NLA - Kit, Straight Leg Extension, Rear	1	2
2			NLA - Anti-Rattle, External, Grey	1	1
3			Anti-Rattle, Internal	1	1
4			NLA - Button, Release	1	1
5			Tip, Rubber, Grey	1	1
6			Tube, Leg Adjustable Straight	1	1
7	B	1099286-NLA	NLA - Kit, Bent Leg Extension, Front	1	2
8			NLA - Anti-Rattle, External, Grey	1	1
9			Anti-Rattle, Internal	1	1
10			NLA - Button, Release	1	1
11			Tip, Rubber, Grey	1	1
12			Tube, Leg Adjustable Bent	1	1
NOTE: A - Kit Includes Items 2-6. B - Kit Includes Items 8-12.					