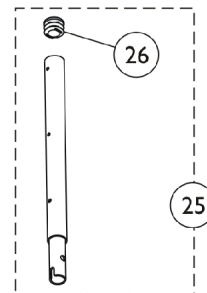
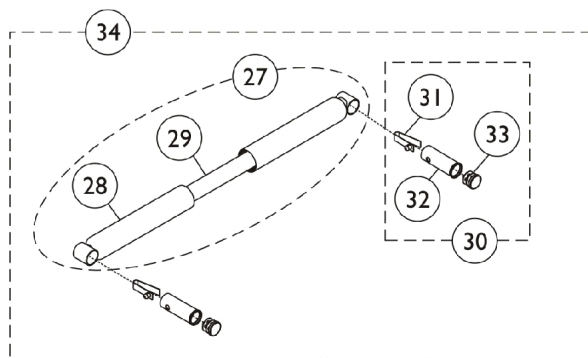
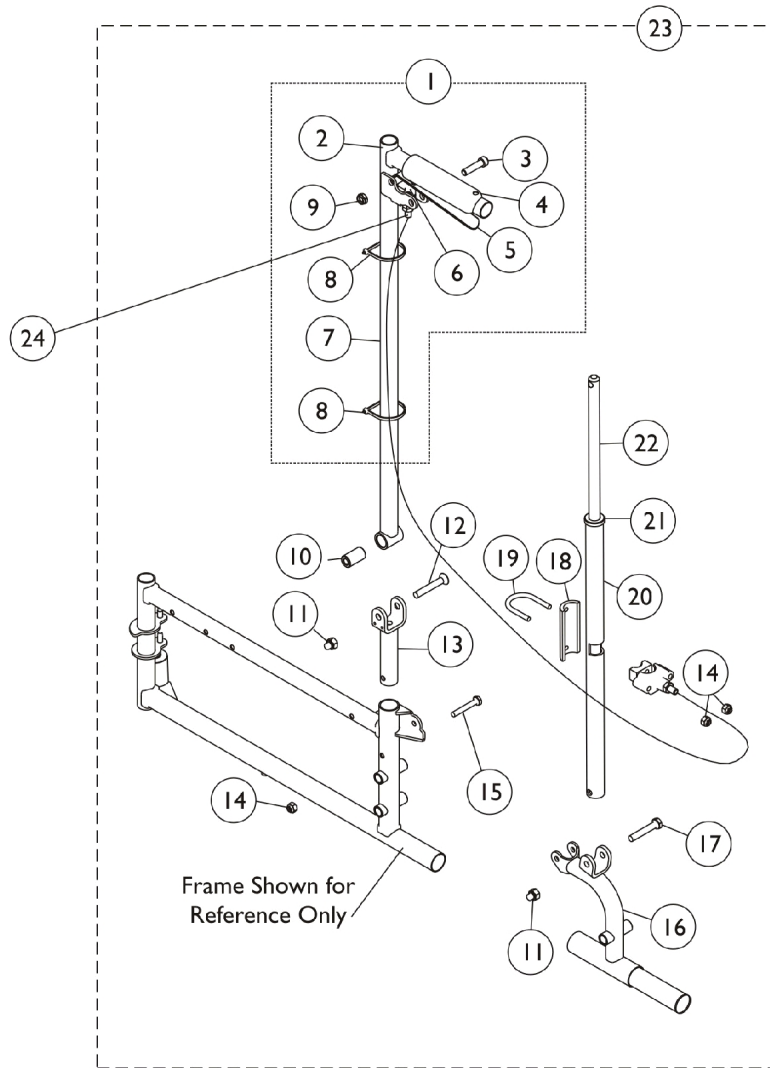


Recliner Back Assembly



Recliner Back Assembly

| Item Number | Note | Part Number | Description | Quantity Per | |
|-------------|------|-------------|----------------------------------------------------|--------------|----------|
| | | | | Package | Assembly |
| 1 | A | 1074497 | Cane Tube Assembly, Rear, Recliner, Chrome - Right | 1 | 1 |
| 1 | A | 1074498 | Cane Tube Assembly, Rear, Recliner, Chrome - Left | 1 | 1 |
| 2 | | 1073495 | Tube, Back, Chrome | 1 | 1 |
| 3 | | 1021343 | Screw, Socket Head (5/16-18 x 1-1/4") | 1 | 1 |
| 3 | | 1021344 | Screw, Socket Head (5/16-18 x 1-1/2") | 1 | 1 |
| 4 | | 1061484 | Grip, Handle, Foam, Black (5") | 1 | 1 |
| 5 | | 1021085 | Lever, Brake Release, Black | 1 | 1 |
| 6 | | 1071676 | Fastener, Spring Grip | 1 | 1 |
| 7 | | 1074471 | Cable and Housing Assembly | 1 | 1 |
| | | | Cable Assembly | 1 | 1 |
| | | | Nut, Hex (5/16"-18) | 1 | 2 |
| | | | Housing, Support | 1 | 1 |
| | | | Spring, Compression (27/64 x 1 x 3/64") | 1 | 1 |
| | | | Sector, Threaded | 1 | 1 |
| | | | Tubing, Heatshrink Adhesive (1-1/2") | 1 | 1 |
| | | | Nut, Swivel (5/16-18 x 21/32") | 1 | 1 |
| 8 | | 1021260 | Tie Wrap (5-5/8" L) | 1 | 2 |
| 9 | | 60290X002 | Locknut (5/16-18) | 1 | 2 |
| 10 | | 1058938 | Bushing, Pivot (5/16 x 5/8 x 1-1/8") | 1 | 1 |
| 11 | | 1060057 | Nut, Cap (5/16-24) | 1 | 2 |
| 12 | | 1058920 | Screw, Socket Flat Head (5/16-24 x 2") | 1 | 1 |
| 13 | | 1110096 | U-Bracket, Chrome | 1 | 1 |
| 14 | | 1008882 | Locknut (1/4-20) | 1 | 3 |
| 15 | | 1095553 | Screw, Hex Head (1/4-20 x 1-5/8") | 1 | 1 |
| 16 | | 1110063 | Bracket Offset Assembly, Chrome - Right | 1 | 1 |
| 16 | J | 1110064-NLA | NLA - Bracket Offset Assembly, Chrome - Left | 1 | 1 |
| 17 | | 11239X000 | Screw, Hex Head (5/16-24 x 1-3/4") | 1 | 1 |
| 18 | | 1023329 | Plate Support | 1 | 1 |
| 19 | | 1023328 | U-Bolt (1/4-20 x 1-13/16") | 1 | 1 |
| 20 | | 1086366 | Tube, Locking, Chrome | 1 | 1 |
| 21 | | 1024221 | Anti-Rattle, Black | 1 | 1 |
| 22 | | 1042736 | Rod, Locking | 1 | 1 |
| 23 | B,F | 1110065 | Recliner Back Assembly, Chrome - Right | 1 | 1 |
| 23 | B,F | 1110066 | Recliner Back Assembly, Chrome - Left | 1 | 1 |
| 23 | B,G | 1142780 | Recliner Back Assembly, Black - Right | 1 | 1 |
| 23 | B,G | 1142781 | Recliner Back Assembly, Black - Left | 1 | 1 |
| 24 | | 1070840 | Nut, Swivel (5/16-18 x 21/32") | 1 | 1 |
| 25 | | 1054595 | Headrest Extension Tube Assembly, Chrome | 1 | 2 |
| 26 | | 1027097 | Plug Button, Black (3/4") | 1 | 1 |
| 27 | I | 1088377 | Bar Spreader with Grips, Chrome (14" W) | 1 | 1 |
| 28 | | | Grip, Handle, Foam, Black (5") | 1 | 2 |
| 29 | | | Bar, Spreader, Chrome (14" W) | 1 | 1 |
| 27 | I | 1062638 | Bar Spreader with Grips, Chrome (16" W) | 1 | 1 |
| 28 | | | Grip, Foam Hand (6-7/8" L) | 1 | 2 |
| 29 | | | Bar, Spreader, Chrome (16" W) | -- | -- |
| 27 | I | 1062639 | Bar Spreader with Grips, Chrome (18" W) | 1 | 1 |

Recliner Back Assembly

| Item Number | Note | Part Number | Description | Quantity Per | |
|-------------|------|-------------|-------------------------------------------------|--------------|----------|
| | | | | Package | Assembly |
| 28 | | | Grip, Foam Hand (6-7/8" L) | 1 | 2 |
| 29 | | | Bar, Spreader, Chrome (18") | 1 | 1 |
| 27 | I | 1088382 | Bar Spreader with Grips, Chrome (20" W) | 1 | 1 |
| 28 | | | Grip, Foam Hand (6-7/8" L) | 1 | 2 |
| 29 | | | Bar, Spreader, Chrome (20" W) | 1 | 1 |
| 27 | I | 1088387 | Bar Spreader with Grips, Chrome (22" W) | 1 | 1 |
| 28 | | | Grip, Foam Hand (6-7/8" L) | 1 | 2 |
| 29 | | | Bar, Spreader, Chrome (22" W) | 1 | 1 |
| 28 | C | 1061484 | Grip, Handle, Foam, Black (5") | 1 | 2 |
| 28 | D | 1032245 | Grip, Foam Hand (6-7/8" L) | 1 | 2 |
| 30 | H | 1071120 | Lock Handle | 1 | 2 |
| 31 | | | Button, Single Snap | 1 | 1 |
| 32 | | | Insert, Seat Rail | 1 | 1 |
| 33 | | | Plug Button, Black (3/4") | 1 | 1 |
| 34 | E | 1088378 | Bar Spreader with Locking Pins, Chrome (14" W) | 1 | 1 |
| 28 | | | Grip, Handle, Foam, Black (5") | 1 | 2 |
| 29 | | | Bar, Spreader, Chrome (14" W) | 1 | 1 |
| 31 | | | Button, Single Snap | 1 | 1 |
| 32 | | | Insert, Seat Rail | 1 | 1 |
| 33 | | | Plug Button, Black (3/4") | 1 | 1 |
| 34 | E | 1071121 | Bar, Spreader with Locking Pins, Chrome (16" W) | 1 | 1 |
| 28 | | | Grip, Foam Hand (6-7/8" L) | 1 | 1 |
| 29 | | | Bar, Spreader, Chrome (16" W) | 1 | 1 |
| 31 | | | Button, Single Snap | 1 | 1 |
| 32 | | | Insert, Seat Rail | 1 | 1 |
| 33 | | | Plug Button, Black (3/4") | 1 | 1 |
| 34 | E | 1071122 | Bar, Spreader with Locking Pins, Chrome (18" W) | 1 | 1 |
| 28 | | | Grip, Foam Hand (6-7/8" L) | 1 | 2 |
| 29 | | | Bar, Spreader, Chrome (18") | 1 | 1 |
| 31 | | | Button, Single Snap | 1 | 1 |
| 32 | | | Insert, Seat Rail | 1 | 1 |
| 33 | | | Plug Button, Black (3/4") | 1 | 1 |
| 34 | E | 1088383 | Bar, Spreader with Locking Pins, Chrome (20" W) | 1 | 1 |
| 28 | | | Grip, Foam Hand (6-7/8" L) | 1 | 2 |
| 29 | | | Bar, Spreader, Chrome (20" W) | 1 | 1 |
| 31 | | | Button, Single Snap | 1 | 1 |
| 32 | | | Insert, Seat Rail | 1 | 1 |
| 33 | | | Plug Button, Black (3/4") | 1 | 1 |
| 34 | E | 1088388 | Bar, Spreader with Locking Pins, Chrome (22" W) | 1 | 1 |
| 28 | | | Grip, Foam Hand (6-7/8" L) | 1 | 2 |
| 29 | | | Bar, Spreader, Chrome (22" W) | 1 | 1 |
| 31 | | | Button, Single Snap | 1 | 1 |
| 32 | | | Insert, Seat Rail | 1 | 1 |
| 33 | | | Plug Button, Black (3/4") | 1 | 1 |

Recliner Back Assembly

NOTE: A - Includes items 2-9. Compression spring and threaded sector are not sold individually.
B - Includes Items 2-22.
C - For 14" Wide Chairs.
D - For 16-22" Wide Chairs.
E - Includes 27-33.
F - Before 3/6/06.
G - After 3/5/06.
H - Includes items 31-33.
I - Includes items 28 and 29.
J - No longer available as a service part individually. See item 23 and order part #1110066 as a replacement.