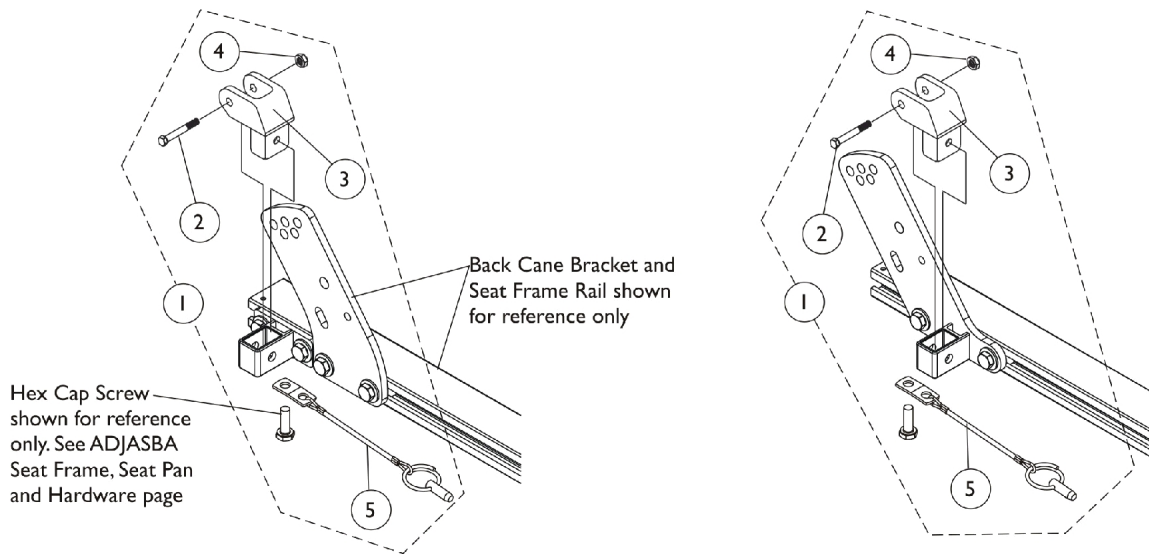
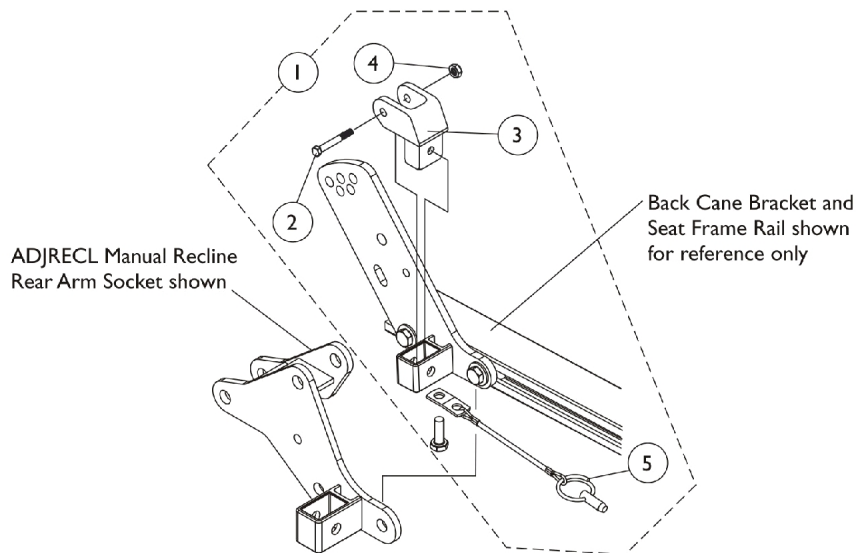


# Arm Mounting Swingaway Hardware



Swingaway Armrest Mounting Hardware  
(12"-16" Wide x 12"-15" Deep)

Swingaway Armrest Mounting Hardware  
(12"-16" Wide x 16"-18" Deep)



Swingaway Armrest Mounting Hardware  
ADJASBA Seat Frame  
(16"-22" Wide x 16"-22" Deep)

## Arm Mounting Swingaway Hardware

Item Number	Note	Part Number	Description	Quantity Per	
				Package	Assembly
1	A	1068488	Kit, Swingaway Armrest Mounting Hardware	1	1
2		1019590	Screw, Socket Button Head (1/4-20 x 1-5/8")	1	1
3		1068025	Clevis, Pivot	1	1
4		1025195	Locknut (1/4-20)	1	1
5		1068039	Pin, Pull	1	1

NOTE: A - Includes items 2-5