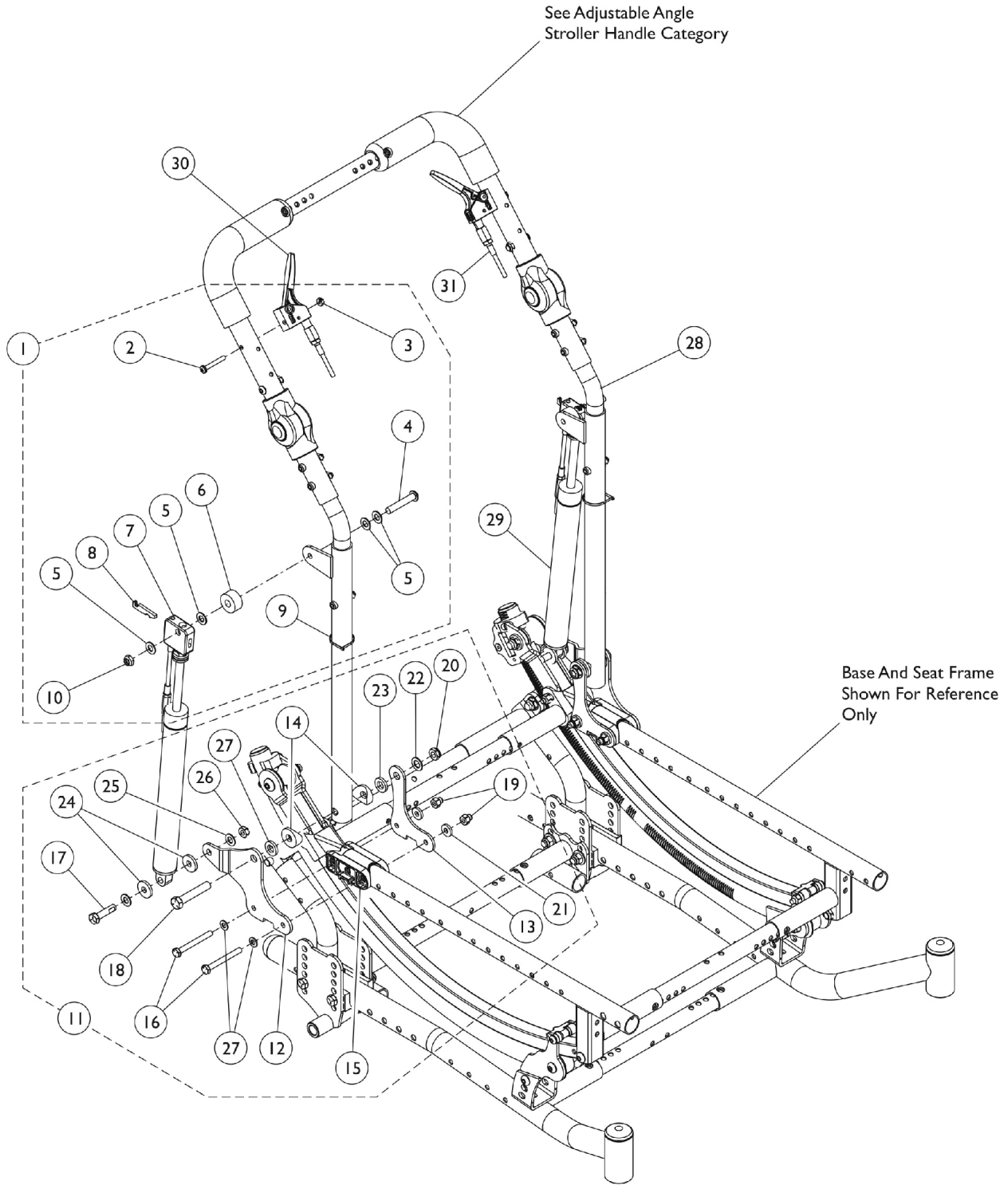


# Reclining Back Hardware (RECLINEWU) Option

Manual Recliner uses "Stroller Handle - Adjustable Angle - Outside Mount - AASH".  
See this category for more information.



# Reclining Back Hardware (RECLINEWU) Option

Manual Recliner uses "Stroller Handle - Adjustable Angle - Outside Mount - AASH".  
See this category for more information.

Item Number	Note	Part Number	Description	Quantity Per	
				Package	Assembly
1	A	1164123	Kit, Cable Release Hardware	1	1
2			Screw, Phillip Pan Head (10-32 x 1-3/8")	1	1
3			Locknut (10-32)	1	1
4			NLA - Screw, Socket Button Head (5/16-24 x 1-3/4")	1	1
5			Washer, Steel (21/64 x 5/8 x 3/64")	1	4
6			Spacer (3/8 x 1 x 1/2")	1	1
7			Bracket, Cylinder Release, Black	1	1
8			Lever, Cylinder Release	1	1
9			Tie Wrap (3-29/32" L)	1	1
10			Locknut (5/16-24)	1	1
11	B	1164124	Kit, Reclining Back Hardware - Right	1	1
12			Bracket, Outer Back, Recliner, Black - Right	1	1
13			Bracket, Inner Back, Recliner, Black	1	1
14			NLA - Spacer, Coved (3/8 x 1 x 9/16")	1	2
15			Uni-Washer, Dual	1	1
16			Screw, Hex Head (1/4-28 x 2-1/4")	1	2
17			Screw, Hex Head w/ Patch (5/16-18 x 1-1/4")	1	1
18			Screw, Hex Head (3/8-16 x 2")	1	1
19			Nut, Hex Nylon (1/4-28)	1	2
20			Locknut (3/8-16)	1	1
21			Washer, Steel (1/4 x 5/8 x 3/32")	1	2
22			Washer (25/64 x 11/16 x 1/32")	1	1
23			Washer, Nylon (13/32 x 3/4 x 1/8")	1	2
24			Washer, Nylon (5/16 x 7/8 x 1/8")	1	2
25			Washer, Steel (21/64 x 5/8 x 3/64")	1	2
26			Locknut (5/16-18)	1	1
27			NLA - Washer, Steel (1/4 x 1/2 x 3/64")	1	2
11	B	1164125	Kit, Reclining Back Hardware - Left	1	1
12			Bracket, Outer Back, Recliner, Black - Left	1	1
13			Bracket, Inner Back, Recliner, Black	1	1
14			NLA - Spacer, Coved (3/8 x 1 x 9/16")	1	2
15			Uni-Washer, Dual	1	1
16			Screw, Hex Head (1/4-28 x 2-1/4")	1	2
17			Screw, Hex Head w/ Patch (5/16-18 x 1-1/4")	1	1
18			Screw, Hex Head (3/8-16 x 2")	1	1
19			Nut, Hex Nylon (1/4-28)	1	2
20			Locknut (3/8-16)	1	1
21			Washer, Steel (1/4 x 5/8 x 3/32")	1	2
22			Washer (25/64 x 11/16 x 1/32")	1	1
23			Washer, Nylon (13/32 x 3/4 x 1/8")	1	2
24			Washer, Nylon (5/16 x 7/8 x 1/8")	1	2
25			Washer, Steel (21/64 x 5/8 x 3/64")	1	2
26			Locknut (5/16-18)	1	1
27			NLA - Washer, Steel (1/4 x 1/2 x 3/64")	1	2
28		1165556	Back Canes, Recliner w/o Upholstery (Pair)	2	1

# Reclining Back Hardware (RECLINEWU) Option

Manual Recliner uses "Stroller Handle - Adjustable Angle - Outside Mount - AASH".  
See this category for more information.

Item Number	Note	Part Number	Description	Quantity Per	
				Package	Assembly
29		1050154	Cylinder, Lock, Recline	1	2
30		1078318	Handle, Cable Release, Black	1	2
31		1082638	Cable Release Assembly	1	2
NOTE: A - Includes items 2 thru 10. The kit accommodates one side only. B - Includes items 12 thru 27.					