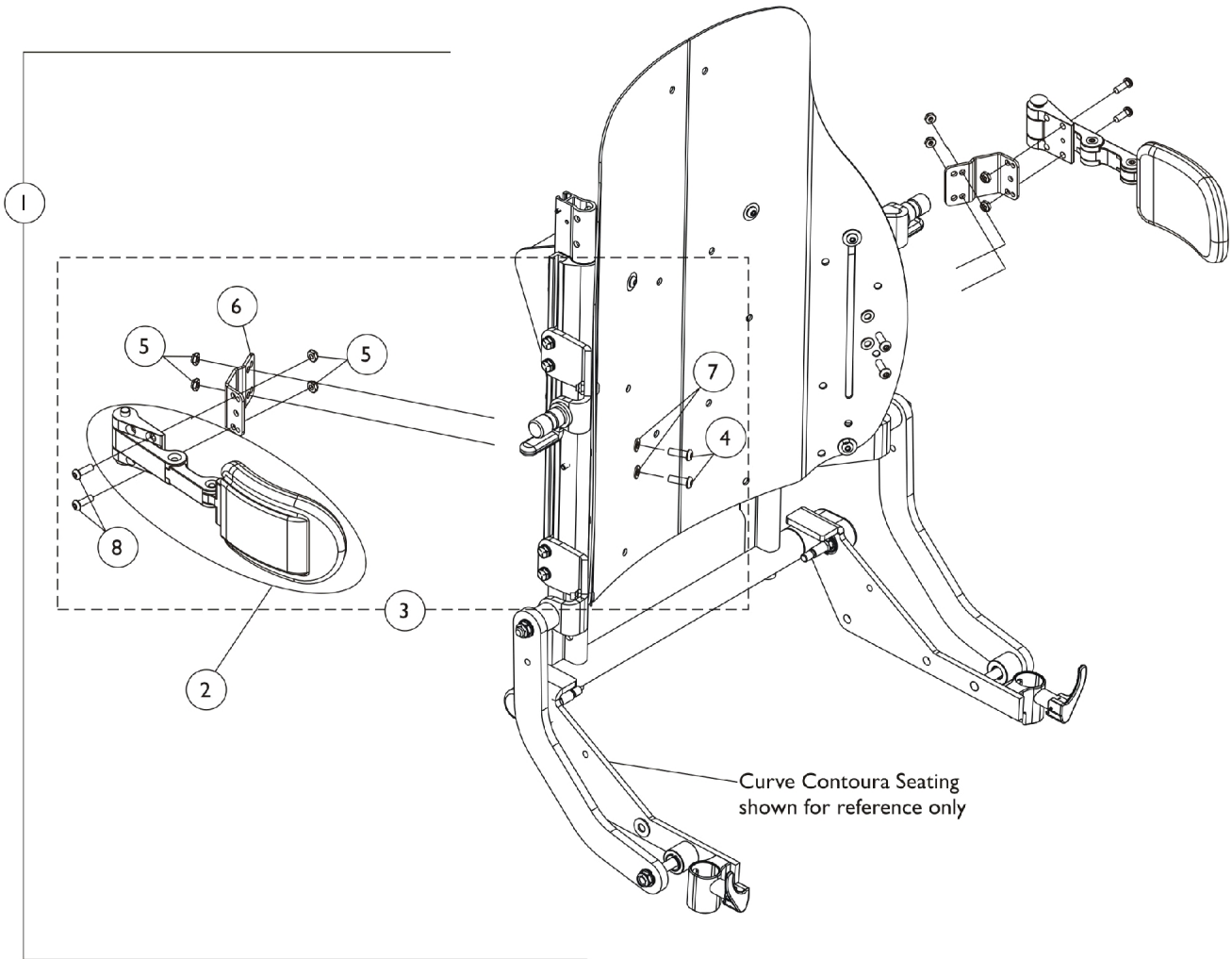


# Lateral Support Assembly, Stealth TWB-CPR/TWB-CPRL Curve Contoura Seating



## Lateral Support Assembly, Stealth TWB-CPR/TWB-CPRL Curve Contoura Seating

Item Number	Note	Part Number	Description	Quantity Per	
				Package	Assembly
1	A	1128734	Kit, Swingaway Lateral Support Assemblies w/ Medium Pads (5" W x 3" H), Stealth (Pair)	1	1
2			Support, Swingaway Lateral w/ Medium Pads (5" W x 3" H), Stealth (TWB-CPR)	2	2
4			Screw, Socket Button (1/4-20 x 3/4")	1	4
5			Locknut (1/4-20)	1	8
6			Bracket, Positioning Strap, Black	1	2
7			Washer (1/4 x 1/2 x 1/16")	1	4
8			NLA - Screw, Socket Button Head (1/4-20 x 1/2")	1	4
1	A	1128735	Kit, Swingaway Lateral Support Assemblies w/ Large Pads (6" W x 4" H), Stealth (Pair)	1	1
2			Support, Swingaway Lateral w/ Large Pads (6" W x 4" H), Stealth (TWB-CPRL)	2	2
4			Screw, Socket Button (1/4-20 x 3/4")	1	4
5			Locknut (1/4-20)	1	8
6			Bracket, Positioning Strap, Black	1	2
7			Washer (1/4 x 1/2 x 1/16")	1	4
8			NLA - Screw, Socket Button Head (1/4-20 x 1/2")	1	4
3	B	1128733	Kit, Swingaway Lateral Support Mounting Hardware, Stealth (Pair)	1	1
4			Screw, Socket Button (1/4-20 x 3/4")	1	4
5			Locknut (1/4-20)	1	8
6			Bracket, Positioning Strap, Black	1	2
7			Washer (1/4 x 1/2 x 1/16")	1	4
8			NLA - Screw, Socket Button Head (1/4-20 x 1/2")	1	4

NOTE: A - Includes items 2 and 4-8  
B - Includes items 4-8