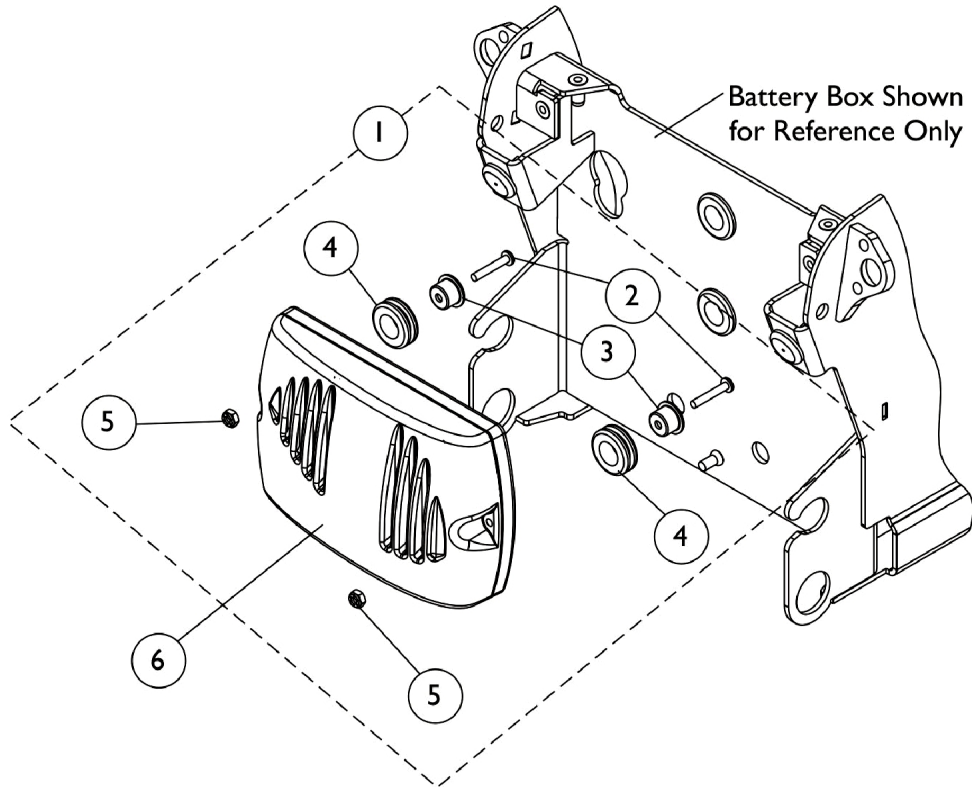
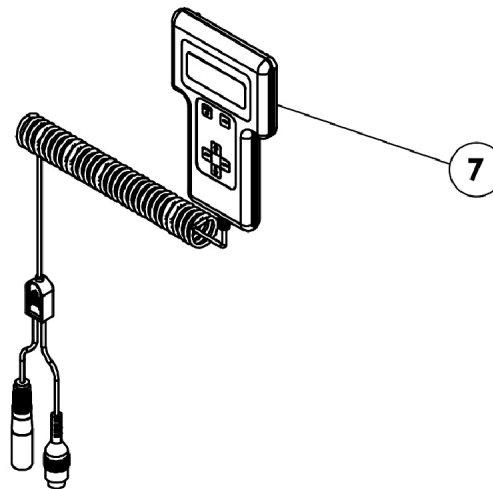


Controller, MK5 NX-75, Programmer, and Mounting Hardware - TDX SI-2

To order a Rear Shroud that covers the Battery Box and Controller, refer to the page titled "Shrouds and Hardware".



MK5 NX-75 Controller Mounting Hardware



Controller, MK5 NX-75, Programmer, and Mounting Hardware - TDX SI-2

To order a Rear Shroud that covers the Battery Box and Controller, refer to the page titled "Shrouds and Hardware".

Item Number	Note	Part Number	Description	Quantity Per	
				Package	Assembly
1	A	1145070	Kit, Controller Mounting Hardware	1	1
2			Screw, Phillips Pan Head (#8-32 x 1")	1	2
3			Bushing	1	2
4			Grommet, Rubber (9/16 ID x 1-1/16 OD x 3/8")	1	2
5			Locknut (#8-32)	1	2
6		1126182-NLA	NLA - Controller, MK5 NX-75	1	1
7		1109091-NLA	NLA - Programmer, Remote	1	1
	B	1095502-NLA	NLA - Package, Tie Wrap (11-1/2" L)	10	1

NOTE: A - Includes items 2-5
B - Not Shown