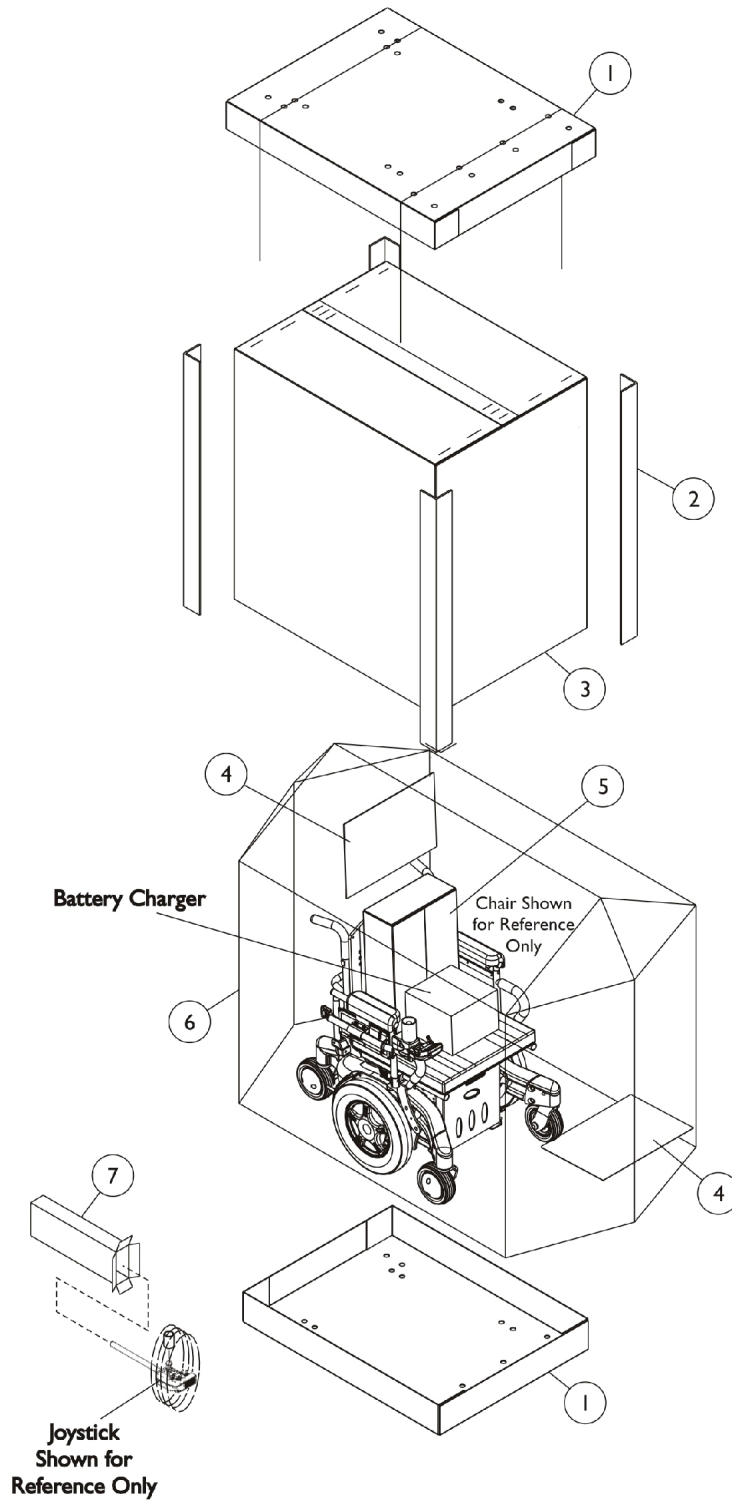


Packaging, Literature and Decals



Packaging, Literature and Decals

Item Number	Note	Part Number	Description	Quantity Per	
				Package	Assembly
1	E	1030362	Carton, Tray	1	2
1	D	1036027	Carton, Tray	1	2
2	E	1115174	Carton, Corner Reinforcement	1	4
2	C	1129589-NLA	Carton, Corner Reinforcement	1	4
2	D	1129590-NLA	Carton, Corner Reinforcement	1	4
3	A	1030365	Carton, Cover	1	1
3	B	1030364	Carton, Cover	1	1
3	C	1031682	Carton, Cover	1	1
3	D	1036028	Carton, Cover	1	1
4		40131X161	Insert, Plain Pad	1	2
5		40131X011-NLA	NLA - Carton, Front Riggings	1	1
6		1015592	Bag, Poly (72" L x 35" W x 19" D)	1	1
7	J	1012001-NLA	NLA - Carton, Joystick	1	1
	F	00077X031-NLA	NLA - Warranty Card	1	1
	F	1154294-NLA	NLA - Owner's Manual, TDX SI/SI-HD Base	1	1
	F	1143192-NLA	NLA - Owner's Manual, ADJASBA Seat with MK6i Electronics	1	1
	F	1143195-NLA	NLA - Owner's Manual, Van Seat's with MK6i Electronics	1	1
	F,G,I	1110532-NLA	NLA - Instruction Manual, MK5 NX/NX-LP	1	1
	F	1148036	Decal, TDX SI, Yellow/Silver	1	2
	F	1157930	Decal, TDX SI, Black	1	2
	F	1164950	Decal, TDX SI-2, Yellow/Silver	1	2
	F	1146461-NLA	NLA - Decal, TDX SI Heavy Duty, Yellow/Silver	1	2
	F,H	1083199-NLA	NLA - Label, Hook Tie-Down	1	4

NOTE: A - Base only and all ADJASBA seat only models.
 B - 12" Wide - 19" Wide ADJASBA seat with base models.
 C - 16" Wide - 19" Wide ADJASBA seat with base models with medium and tall seat-to-floor heights.
 D - 20" Wide - 22" Wide ADJASBA seat with base models.
 E - 12" Wide - 20" Wide ADJASBA seat with base and base only models.
 F - Not Shown.
 G - Used for TDX SI-2 models only
 H - For TRRO/TRBKTS wheelchairs only
 I - Item is no longer available from the Invacare Service Parts Department. Refer to the Invacare Website under "Product Literature Search". Enter the part number in the "Keywords" field and download a free PDF version copy.
 J - Can use Item #5 part #40131X011 for a Joystick also.

When adjusting or replacing parts, please refer to your Owner's Manual for assistance.