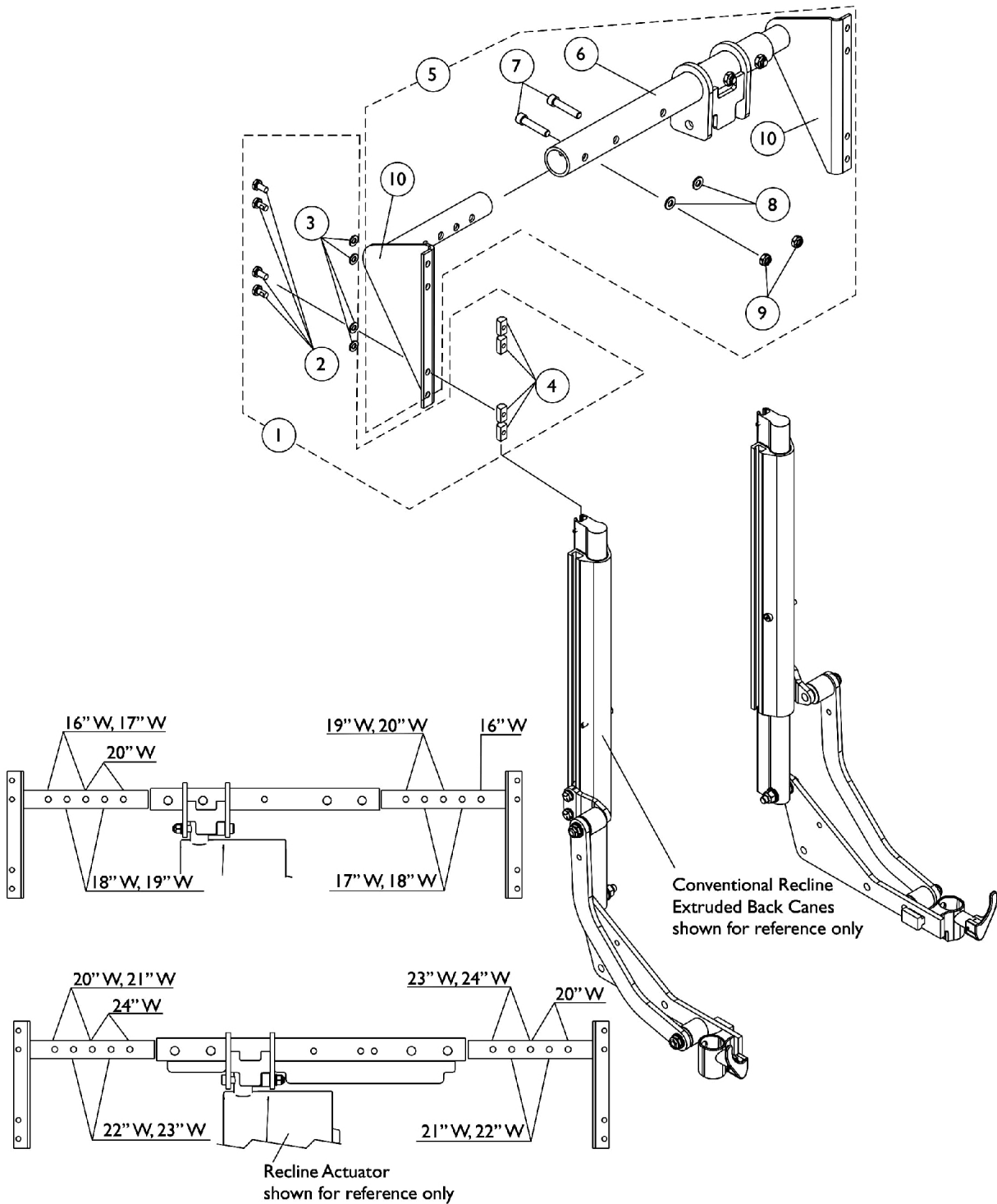


Spreader Bar Assembly

Conventional CGTR/CGTRE (16" - 22" Wide)



Spreader Bar Mounting Hole Locations

Spreader Bar Assembly

Conventional CGTR/CGTRE (16" - 22" Wide)

Item Number	Note	Part Number	Description	Quantity Per	
				Package	Assembly
1	A	1125765	Kit, Spreader Bar Mounting Hardware For Extruded Back Canes	1	1
2			Screw, Hex Head w/ Patch (1/4-20 x 1/2")	1	8
3			Washer (1/4 x 1/2 x 1/16")	1	8
4			T-Nut (1/4-20)	1	8
5	B	1144583	Kit, Spreader Bar Assembly For CG Conv. Recline & T/R 16-20" Wide	1	1
6			Center Spreader Bar Assembly (16 - 20" W)	1	1
7			Screw, Socket Head (5/16-18 x 1-1/2")	1	4
8			Washer, Flat (5/16 x 5/8 x 1/16")	1	4
9			Locknut (5/16-18)	1	4
10			NLA - Bracket, Straight Outer Spreader Bar - Right For 16"-20" Wide	1	1
10			NLA - Bracket, Straight Outer Spreader Bar, Black - Left (16-20" W)	1	1
5	B	1144584	Kit, Spreader Bar Assembly For CG Conv. Recline & T/R 20-24" Wide	1	1
6			Center Spreader Bar Assembly (20 - 24" W)	1	1
7			Screw, Socket Head (5/16-18 x 1-1/2")	1	4
8			Washer, Flat (5/16 x 5/8 x 1/16")	1	4
9			Locknut (5/16-18)	1	4
10			NLA - Bracket, Straight Outer Spreader Bar, Black - Right (20-24" W)	1	1
10			NLA - Bracket, Straight Outer Spreader Bar, Black - Left (20-24" W)	1	1

NOTE: A - Includes items 2-4.
 B - Includes items 6-10. FDX model configuration goes up to 22" wide only.