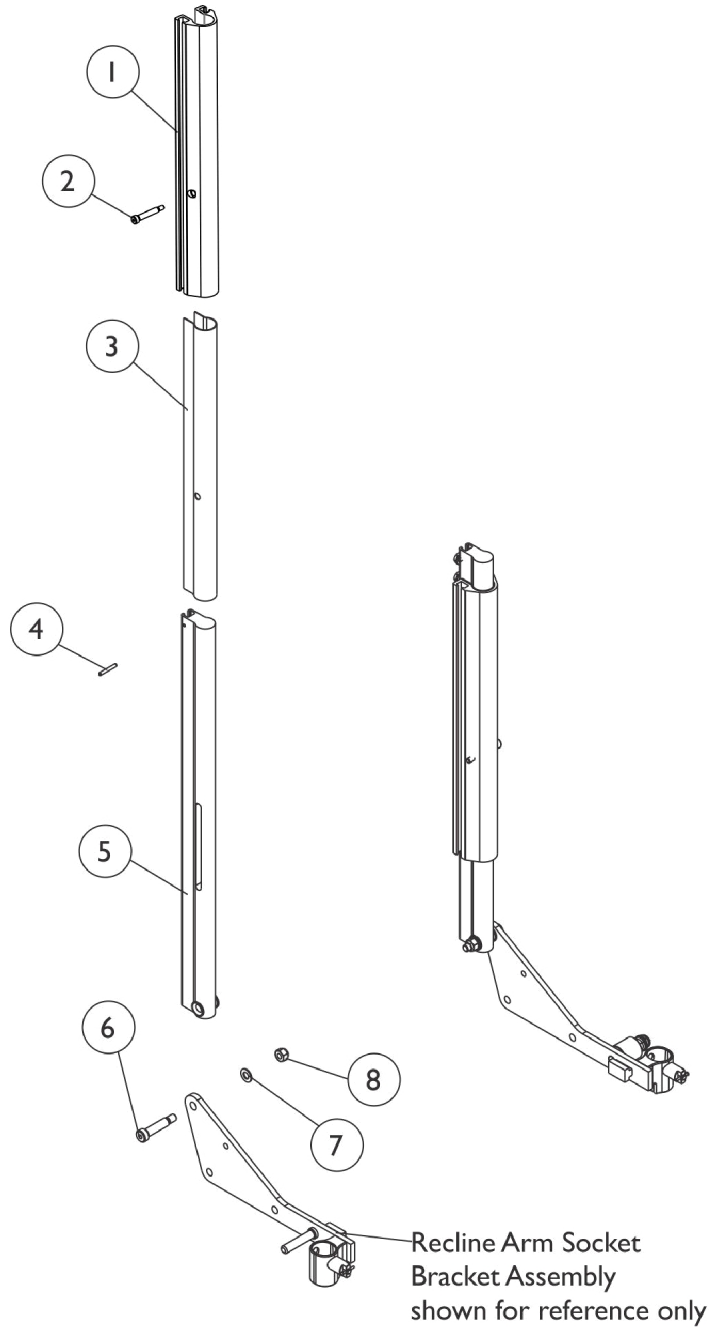


Back Canes, Slide Blocks and Sleeves

Conventional CGTR/CGTRE

Extruded Back Cane material comes in one height only and measures approximately 20-1/2" and the overall back height from the seat pan to the top of the extruded cane measures approximately 22-1/2" high. Only the Back Assembly needs to be replaced when changing back heights.



Conventional Recline and Tilt/Recline

Back Canes, Slide Blocks and Sleeves

Conventional CGTR/CGTRE

Extruded Back Cane material comes in one height only and measures approximately 20-1/2" and the overall back height from the seat pan to the top of the extruded cane measures approximately 22-1/2" high. Only the Back Assembly needs to be replaced when changing back heights.

| Item Number | Note | Part Number | Description | Quantity Per | |
|-------------|------|-------------|---|--------------|----------|
| | | | | Package | Assembly |
| 1 | | 1122263 | Block, Slide Back - Left | 1 | 1 |
| 1 | | 1124693 | Block, Slide Back - Right | 1 | 1 |
| 2 | | 1000212 | Screw, Shoulder Hex Socket (1/4 x 1-1/4", #10-24) | 1 | 2 |
| 3 | | 1122464 | Sleeve, Back Slide (15-1/4" L) | 1 | 2 |
| 4 | | 1119847 | Pin, Roll (1/8 x 1") | 1 | 2 |
| 5 | | 1122560 | Cane, Back, Extruded Conventional, Black - Right/Left | 1 | 2 |
| 6 | | 1062604 | Screw, Shoulder Hex Socket (3/8 x 1-1/4", 5/16-18) | 1 | 2 |
| 7 | | 1025704 | Washer, Flat (5/16 x 5/8 x 1/16") | 1 | 2 |
| 8 | | 1026158 | Locknut (5/16-18) | 1 | 2 |