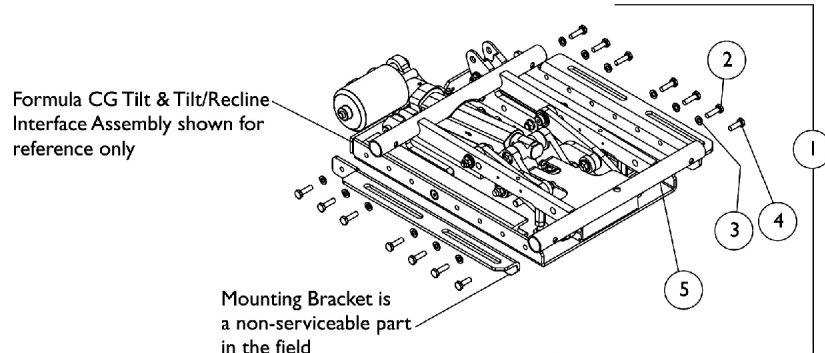
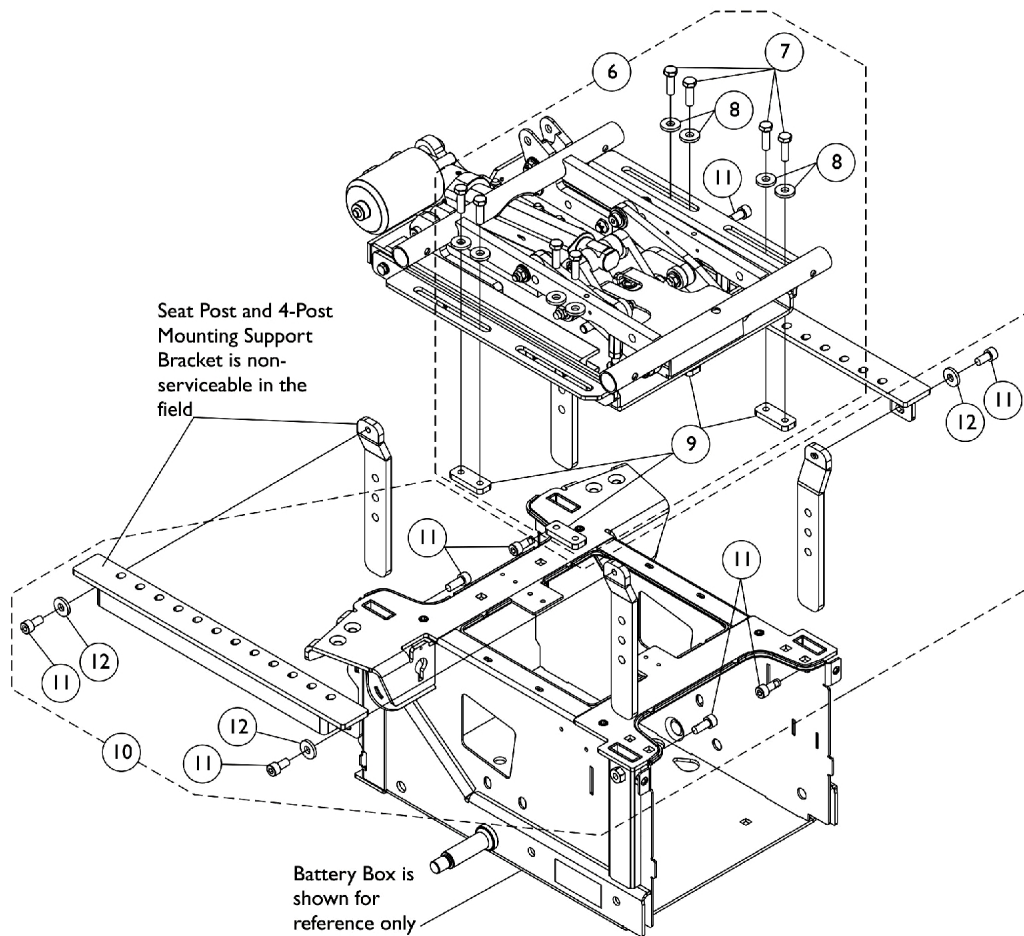


# Seat Frame Mounting Hardware CGT/CGTR

Non-serviceable parts in the field require the wheelchair to be returned to Invacare for repair. Call Technical Services for assistance (1-800-832-4707)



**Formula CG Tilt & Tilt/Recline  
Mounting Bracket Hardware**



# Seat Frame Mounting Hardware CGT/CGTR

**Non-serviceable parts in the field require the wheelchair to be returned to Invacare for repair. Call  
Technical Services for assistance (1-800-832-4707)**

Item Number	Note	Part Number	Description	Quantity Per	
				Package	Assembly
1	A	1121713-NLA	NLA - Kit, Formula CG Tilt & Tilt/Recline Mounting Bracket Hardware	1	1
2			Screw, Hex Head (1/4-20 x 7/8")	1	12
3			Lockwasher, Split (1/4")	1	12
4			NLA - Bolt, Hex Head Cap (1/4-20 x 3/4")	1	2
5			Locknut (1/4-20)	1	2
6	B	1168994-NLA	NLA - Kit, Seat Frame Mounting Hardware, Non-Elevate, Formula CG	1	1
7			Screw, Hex Head (5/16-18 x 1")	1	8
8			Washer, Flat (21/64 x 53/64 x 7/64")	1	8
9			Plate, Nut (5/16-18)	1	4
10	C	1168995-NLA	NLA - Kit, Seat Post Mounting Hardware, Non-Elevate, Formula CG	1	1
11			Screw, Socket Head w/ Patch (M8 x 1.25 x 20mm)	1	8
12			NLA - Washer, Steel (8.4mm x 16mm x 1.6mm)	1	4
NOTE: A - Includes items 2-5. B - Includes items 7-9. C - Includes items 11 and 12.					