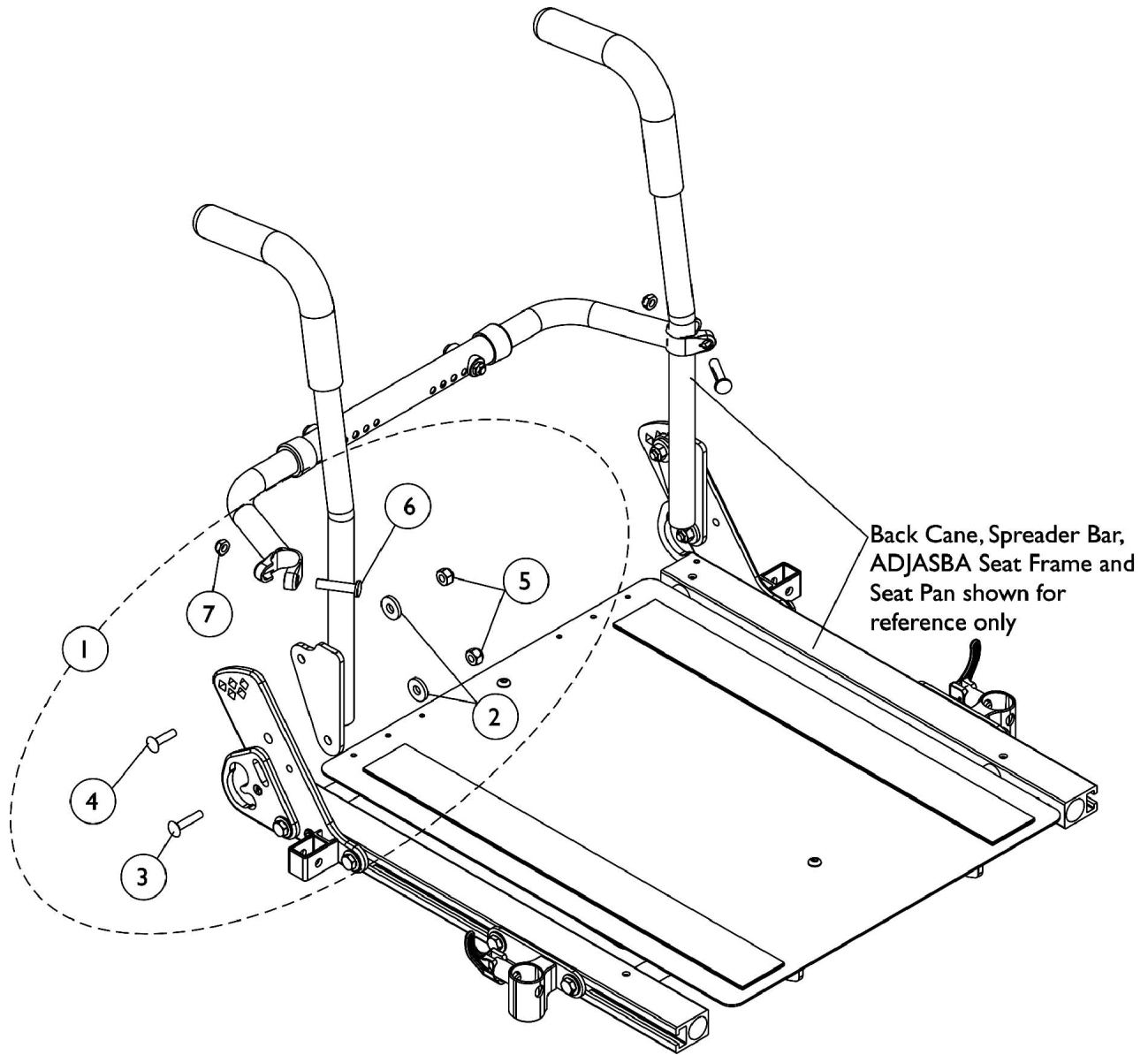


Back Cane Mounting Hardware

For Nylon Upholstery (16" - 22" Wide) TRRO Option



Back Cane Mounting Hardware

For Nylon Upholstery (16" - 22" Wide) TRRO Option

Item Number	Note	Part Number	Description	Quantity Per	
				Package	Assembly
1	A	1137234-NLA	NLA - Kit, Back Cane Mounting Hardware For TRRO Option (Pair)	1	1
2			Washer, Flat (21/64 x 53/64 x 7/64")	1	4
3			Bolt, Round Head Square Neck (5/16-18 x 1-1/4")	1	2
4			Bolt, Round Head Square Neck (5/16-18 x 1")	1	2
5			Locknut (5/16-18)	1	4
6			Screw w/ Lug (5/16-24 x 1-3/8")	1	2
7			Locknut (5/16-24)	1	2

NOTE: A - Includes items 2-7, Right and Left sides