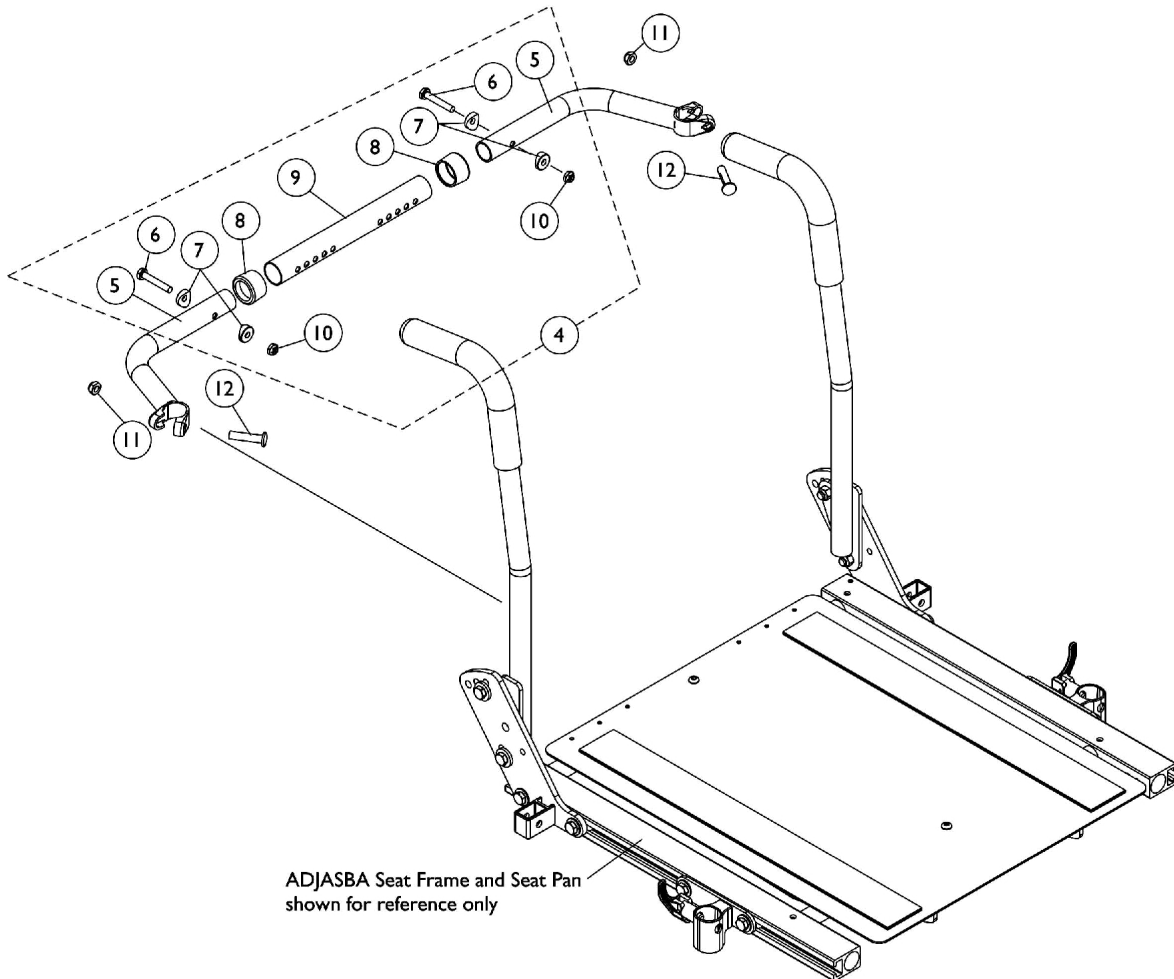
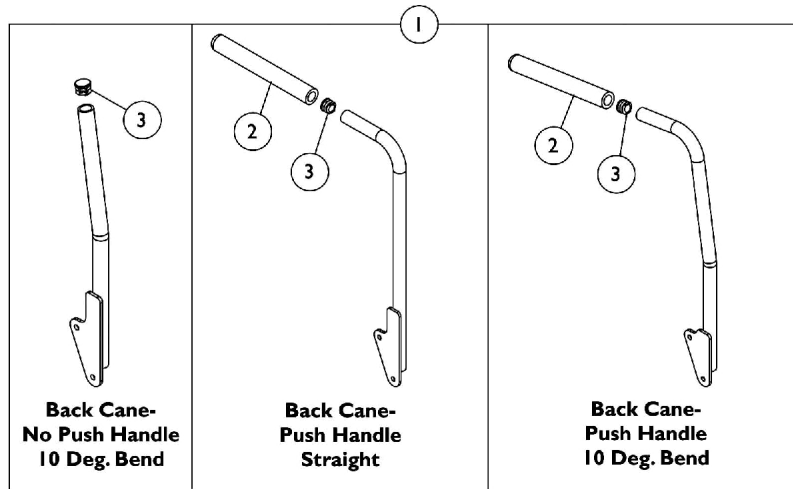


Back Canes and Spreader Bars

For ADJASBA Seats (16" - 22" W)

Curve Contoura, Metal Curved Backs for ADJASBA Seating do not utilize a Spreader Bar Assembly.



Back Canes and Spreader Bars

For ADJASBA Seats (16" - 22" W)

Curve Contoura, Metal Curved Backs for ADJASBA Seating do not utilize a Spreader Bar Assembly.

Item Number	Note	Part Number	Description	Quantity Per	
				Package	Assembly
1		See Chart	#1 Back Cane Assemblies	1	1
2		1135506	Package, Foam Hand Grip (9" L)	10	1
3		1134426	Package, Plug Button, Black (3/4")	10	1
4	A	1125709	Kit, Spreader Bar Assembly (16"-20" Wide)	1	1
5			NLA - Handle, Spreader Bar, Black	1	2
6			Screw, Hex Head (1/4-20 x 1-1/2")	1	2
7			Spacer, Coved (1/4 x 11/16 x 1/2")	1	4
8			Anti-Rattle (1")	1	2
9			Tube, Spreader Bar, Adjustable, Black (16 - 20" W)	1	1
10			Locknut (1/4-20)	1	2
4	A	1125710	Kit, Spreader Bar Assembly 20"-24" Wide	1	1
5			NLA - Handle, Spreader Bar, Black	1	2
6			Screw, Hex Head (1/4-20 x 1-1/2")	1	2
7			Spacer, Coved (1/4 x 11/16 x 1/2")	1	4
8			Anti-Rattle (1")	1	2
9			Tube, Spreader Bar, Adjustable, Black (20 - 24" W)	1	1
10			Locknut (1/4-20)	1	2
11		1025730	Locknut (5/16-24)	1	2
12		1031026	Screw w/ Lug (5/16-24 x 1-3/8")	1	2

NOTE: A - Includes items 5-10

#1 Back Cane Assemblies

Back Height	(9720P) Back Cane- No Push Handle 10 Deg. Bend Right	(9720P) Back Cane- No Push Handle 10 Deg. Bend Left	(SRUP) Back Cane- Push Handle Straight Right	(SRUP) Back Cane- Push Handle Straight Left	(SECT) Back Cane- Push Handle 10 Deg. Bend Right	(SECT) Back Cane- Push Handle 10 Deg. Bend Left
12" High	1134058	1134059	1133785	1133786	1133814-NLA	1133815-NLA
13" High	1134060	1134061	1133787	1133788	1133816-NLA	1133817-NLA
14" High	1134062	1134063	1133789	1133790	1133818-NLA	1133819-NLA
15" High	1134064	1134065	1133791	1133792	1133820-NLA	1133821-NLA
16" High	1134066	1134067	1133793	1133794	1133822	1133823
17" High	1134068	1134069	1133795	1133796	1133824	1133825
18" High	1134070	1134071	1143334 See Note(s) B	1143335 See Note(s) B	1133826	1133827
19" High	1134072	1134073	1133799	1133800	1133828	1133829
20" High See Note(s) C	1134074	1134075	1133801 See Note(s) C	1133802 See Note(s) C	1133830	1133831
21" High	1134076	1134077	1136011 See Note(s) A	1136012 See Note(s) A	1133832	1133833
22" High	1134078	1134079	1136013	1136014	1133834	1133835
23" High	1134080	1134081	1136015 See Note(s) A	1136016 See Note(s) A	1133837	1133838

Back Canes and Spreader Bars

For ADJASBA Seats (16" - 22" W)

Curve Contoura, Metal Curved Backs for ADJASBA Seating do not utilize a Spreader Bar Assembly.

#1 Back Cane Assemblies

Back Height	(9720P) Back Cane- No Push Handle 10 Deg. Bend Right	(9720P) Back Cane- No Push Handle 10 Deg. Bend Left	(SRUP) Back Cane- Push Handle Straight Right	(SRUP) Back Cane- Push Handle Straight Left	(SECT) Back Cane- Push Handle 10 Deg. Bend Right	(SECT) Back Cane- Push Handle 10 Deg. Bend Left
24" High	1134082	1134083	1136017 See Note(s) A	1136018 See Note(s) A	1133839	1133840
25" High	N/A	N/A	1160328 See Note(s) A	1160329 See Note(s) A	N/A	N/A
26" High	N/A	N/A	1160330 See Note(s) A	1160331 See Note(s) A	N/A	N/A
NOTE: A - 21"-26" High Straight Back Canes with Push Handles are only offered On-Chair when the Back Upholstery is omitted B - Wheelchairs with a Curved Contoura Back 22" high will use the 18" high Straight Back Cane w/ Push Handle. C - Wheelchairs with a (Curve Contoura Back 25" or 28" high) or (Metal Curved Back 20"-26" high) will use the 20" high Straight Cane w/ Push Handle.						
NOTE: Back Cane Assemblies include Foam Grips and Plug Buttons where shown						