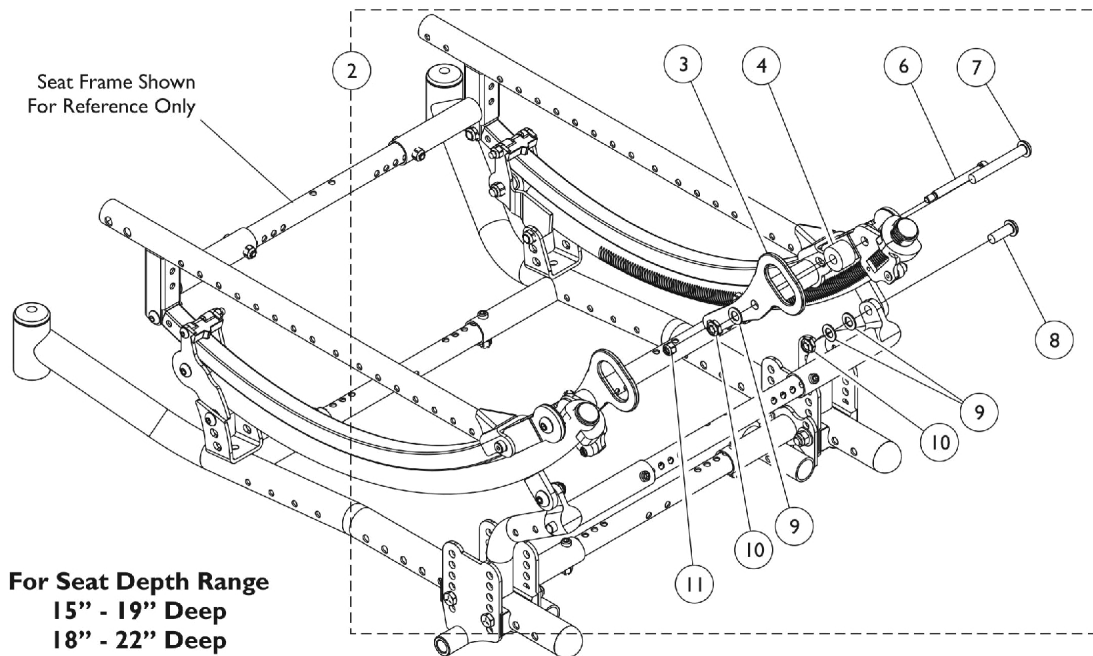
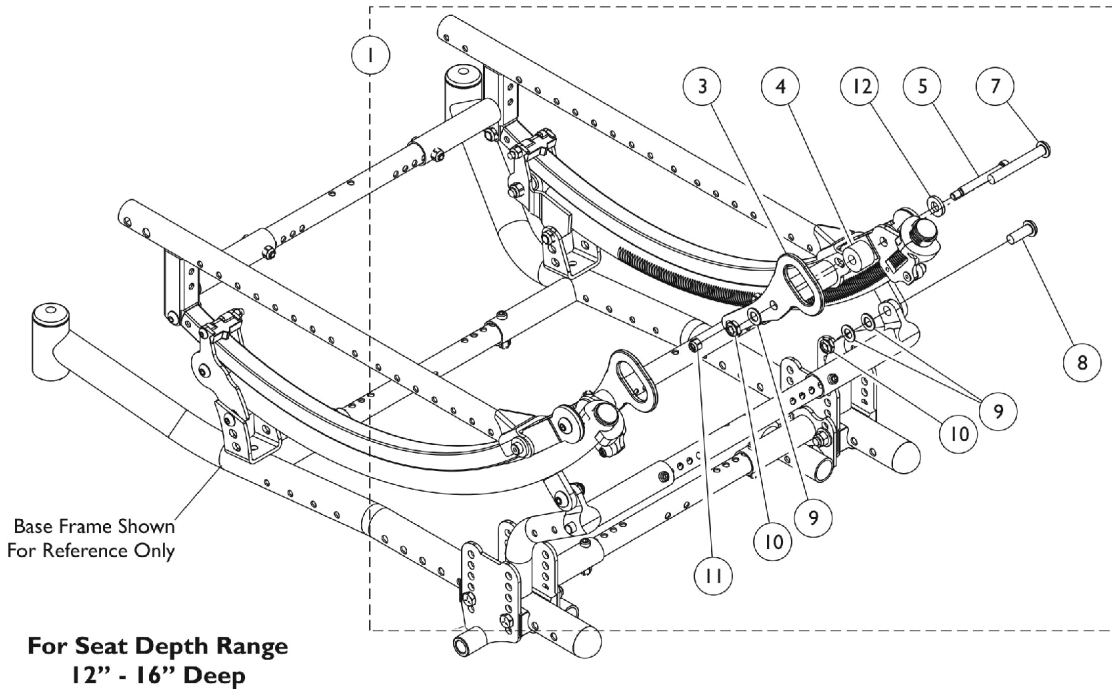


# Transport Brackets and Hardware - Rear (TRBKTS) Option (Retrofit Installation Kits)

Transport Brackets revised 1/25/10. Retrofit kits are backward compatible to chairs manufactured before 1/25/10 as well.



# Transport Brackets and Hardware - Rear (TRBKTS) Option (Retrofit Installation Kits)

Transport Brackets revised 1/25/10. Retrofit kits are backward compatible  
to chairs manufactured before 1/25/10 as well.

Item Number	Note	Part Number	Description	Quantity Per	
				Package	Assembly
1	A	1166089	Kit, Transport Brackets and Mounting Hardware, Rear (12" - 16" D)	1	1
3			Bracket, Tie - Down, Transport - Rear	1	2
4			Spacer, Nylon (3/8 x 1 x 5/8")	1	2
5			NLA - Screw, Shoulder Hex Socket Head (5/16" x 2-1/4", 1/4-20)	1	2
7			Screw, Button Head, Socket (3/8-16 x 2-3/4")	1	2
8			Screw, Socket Button Head (3/8-16 x 1")	1	2
9			Washer (25/64 x 11/16 x 1/32")	1	6
10			Locknut (3/8-16)	1	4
11			Locknut (1/4-20)	1	2
12			Washer (25/64 x 13/16 x 1/8")	1	2
			Instruction Sheet, Transport Brackets, Retrofit	1	1
2	B	1166088	Kit, Transport Brackets and Mounting Hardware, Rear (15" - 22" D)	1	1
3			Bracket, Tie - Down, Transport - Rear	1	2
4			Spacer, Nylon (3/8 x 1 x 5/8")	1	2
6			Screw, Shoulder Hex Socket Head (5/16" x 2-1/2", 1/4-20)	1	2
7			Screw, Button Head, Socket (3/8-16 x 2-3/4")	1	2
8			Screw, Socket Button Head (3/8-16 x 1")	1	2
9			Washer (25/64 x 11/16 x 1/32")	1	6
10			Locknut (3/8-16)	1	4
11			Locknut (1/4-20)	1	2
			Instruction Sheet, Transport Brackets, Retrofit	1	1
NOTE: A - Includes items 3 thru 5, 7 thru 12 and Instruction Sheet not shown in illustration. B - Includes items 3, 4, and 6 thru 11 and Instruction Sheet not shown in illustration.					