

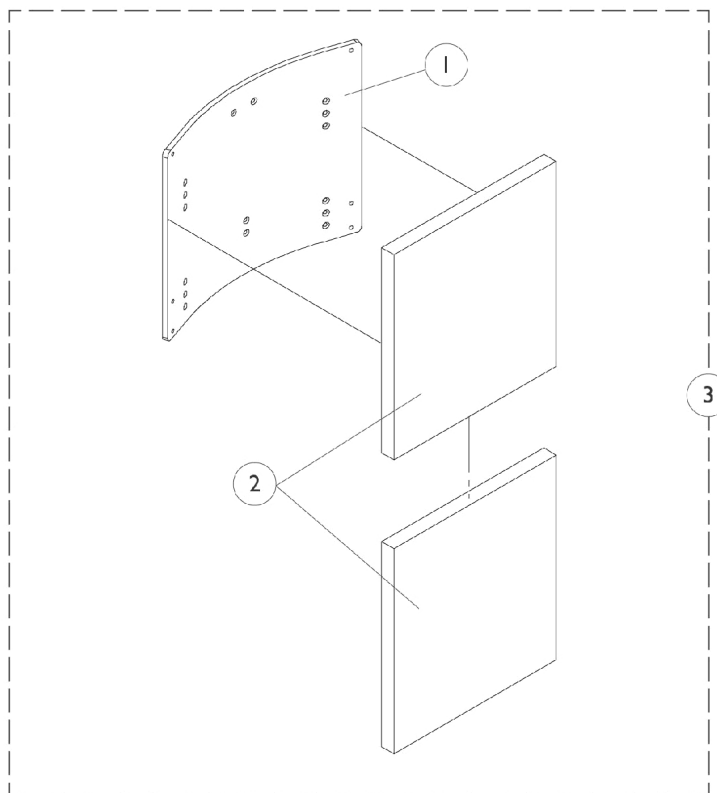
A.B.S. Curved Back w/o Mounting Hardware (Before 4/21/03)

Recline Only (2GR) and Tilt/Recline (2GTR) w/ V.S.R.

NOTE: Wheelchairs with serial number dated for 2005 and after, call a Customer Service Parts Specialist for additional information on ordering a warranty ABS Back Pan replacement.

NOTE: Overall back height is calculated by measuring from the seat pan surface to the top of the back pan. Back pan material height can be calculated by subtracting 8-3/4" from the overall back height listed. Material height listed is rounded off to the nearest whole number.

NOTE: Hook Fastener Adhesive Kit must be ordered when a Back Pan or Back Assembly is requested. This will allow the Loop Fastener Adhesive on the Back Cover to attach properly.



Item Number	Note	Part Number	Description	Quantity Per	
				Package	Assembly
1		See Chart	#1 Back Pan (16" - 19" W)	1	1
1		See Chart	#1 Back Pan (20" - 22" W)	1	1
2		See Chart	#2 Back Cushion Assembly (16" - 19" W)	1	1
2		See Chart	#2 Back Cushion Assembly (20" - 22" W)	1	1
3		See Chart	#3 Back Assembly w/o Hardware (16" - 19" W)	1	1
3		See Chart	#3 Back Assembly w/o Hardware (20" - 22" W)	1	1
	A	1125723	Kit, Hook Fastener w/ Adhesive Back	1	1

NOTE: A - Not Shown. Hook Fastener Adhesive Kit is used to attach a Back Cover to the Back Pan and must be ordered when a new Back Pan or Back Assembly is requested.

A.B.S. Curved Back w/o Mounting Hardware (Before 4/21/03)

Recline Only (2GR) and Tilt/Recline (2GTR) w/ V.S.R.

NOTE: Wheelchairs with serial number dated for 2005 and after, call a Customer Service Parts Specialist for additional information on ordering a warranty ABS Back Pan replacement.

NOTE: Overall back height is calculated by measuring from the seat pan surface to the top of the back pan. Back pan material height can be calculated by subtracting 8-3/4" from the overall back height listed. Material height listed is rounded off to the nearest whole number.

NOTE: Hook Fastener Adhesive Kit must be ordered when a Back Pan or Back Assembly is requested. This will allow the Loop Fastener Adhesive on the Back Cover to attach properly.

#1 Back Pan (16" - 19" W)

Overall Back Height	Material Back Height	16" W	17" W	18" W	19" W
20"	11"	1086014-NLA	1086015-NLA	1086016-NLA	1086017-NLA
21"	12"	1086021-NLA	1086022-NLA	1086023-NLA	1086024-NLA
22"	13"	1086028-NLA	1086029-NLA	1086030-NLA	1086031-NLA
23"	14"	1086035-NLA	1086036-NLA	1086037-NLA	1086038-NLA
24"	15"	1086042-NLA	1086043-NLA	1086044-NLA	1086045-NLA
25"	16"	1086049-NLA	1086050-NLA	1086051-NLA	1086052-NLA
26"	17"	1086056-NLA	1086057-NLA	1086058-NLA	1086059-NLA
27"	18"	1086063-NLA	1086064-NLA	1086065-NLA	1086066-NLA
28"	19"	1086070-NLA	1086071-NLA	1086072-NLA	1086073-NLA

NOTE: Wheelchairs with serial number dated for 2005 and after, call a Customer Service Parts Specialist for additional information on ordering a warranty ABS Back Pan replacement.

A.B.S. Curved Back w/o Mounting Hardware (Before 4/21/03)

Recline Only (2GR) and Tilt/Recline (2GTR) w/ V.S.R.

NOTE: Wheelchairs with serial number dated for 2005 and after, call a Customer Service Parts Specialist for additional information on ordering a warranty ABS Back Pan replacement.

NOTE: Overall back height is calculated by measuring from the seat pan surface to the top of the back pan. Back pan material height can be calculated by subtracting 8-3/4" from the overall back height listed. Material height listed is rounded off to the nearest whole number.

NOTE: Hook Fastener Adhesive Kit must be ordered when a Back Pan or Back Assembly is requested. This will allow the Loop Fastener Adhesive on the Back Cover to attach properly.

#1 Back Pan (20" - 22" W)

Overall Back Height	Material Back Height	20" W	21" W	22" W
20"	11"	1086018-NLA	1086019-NLA	1086020-NLA
21"	12"	1086025-NLA	1086026-NLA	1086027-NLA
22"	13"	1086032-NLA	1086033-NLA	1086034-NLA
23"	14"	1086039-NLA	1086040-NLA	1086041-NLA
24"	15"	1086046-NLA	1086047-NLA	1086048-NLA
25"	16"	1086053-NLA	1086054-NLA	1086055-NLA
26"	17"	1086060-NLA	1086061-NLA	1086062-NLA
27"	18"	1086067-NLA	1086068-NLA	1086069-NLA
28"	19"	1086074-NLA	1086075-NLA	1086076-NLA

NOTE: Wheelchairs with serial number dated for 2005 and after, call a Customer Service Parts Specialist for additional information on ordering a warranty ABS Back Pan replacement.

A.B.S. Curved Back w/o Mounting Hardware (Before 4/21/03)

Recline Only (2GR) and Tilt/Recline (2GTR) w/ V.S.R.

NOTE: Wheelchairs with serial number dated for 2005 and after, call a Customer Service Parts Specialist for additional information on ordering a warranty ABS Back Pan replacement.

NOTE: Overall back height is calculated by measuring from the seat pan surface to the top of the back pan. Back pan material height can be calculated by subtracting 8-3/4" from the overall back height listed. Material height listed is rounded off to the nearest whole number.

NOTE: Hook Fastener Adhesive Kit must be ordered when a Back Pan or Back Assembly is requested. This will allow the Loop Fastener Adhesive on the Back Cover to attach properly.

#2 Back Cushion Assembly (16" - 19" W)

Overall Back Height	Material Back Height	16" W	17" W	18" W	19" W
20"	11"	1097368-NLA	1097369-NLA	1097370-NLA	1097371-NLA
21"	12"	1097375-NLA	1097376-NLA	1097377	1097378-NLA
22"	13"	1097382-NLA	1097383-NLA	1097384-NLA	1097385-NLA
23"	14"	1097389	1097390-NLA	1097391	1097392
24"	15"	1097396	1097397	1097398	1097399
25"	16"	1097403	1097404	1097405	1097406
26"	17"	1097410	1097411	1097412	1097413
27"	18"	1097417	1097418	1097419	1097420
28"	19"	1097424	1097425	1097426	1097427

Back cover and foam are sold as a back cushion assembly only.

A.B.S. Curved Back w/o Mounting Hardware (Before 4/21/03)

Recline Only (2GR) and Tilt/Recline (2GTR) w/ V.S.R.

NOTE: Wheelchairs with serial number dated for 2005 and after, call a Customer Service Parts Specialist for additional information on ordering a warranty ABS Back Pan replacement.

NOTE: Overall back height is calculated by measuring from the seat pan surface to the top of the back pan. Back pan material height can be calculated by subtracting 8-3/4" from the overall back height listed. Material height listed is rounded off to the nearest whole number.

NOTE: Hook Fastener Adhesive Kit must be ordered when a Back Pan or Back Assembly is requested. This will allow the Loop Fastener Adhesive on the Back Cover to attach properly.

#2 Back Cushion Assembly (20" - 22" W)

Overall Back Height	Material Back Height	20" W	21" W	22" W
20"	11"	1097372-NLA	1097373-NLA	1097374-NLA
21"	12"	1097379-NLA	1097380-NLA	1097381-NLA
22"	13"	1097386-NLA	1097387-NLA	1097388-NLA
23"	14"	1097393	1097394-NLA	1097395-NLA
24"	15"	1097400	1097401	1097402
25"	16"	1097407	1097408	1097409
26"	17"	1097414	1097415	1097416
27"	18"	1097421	1097422	1097423
28"	19"	1097428	1097429	1097430

A.B.S. Curved Back w/o Mounting Hardware (Before 4/21/03)

Recline Only (2GR) and Tilt/Recline (2GTR) w/ V.S.R.

NOTE: Wheelchairs with serial number dated for 2005 and after, call a Customer Service Parts Specialist for additional information on ordering a warranty ABS Back Pan replacement.

NOTE: Overall back height is calculated by measuring from the seat pan surface to the top of the back pan. Back pan material height can be calculated by subtracting 8-3/4" from the overall back height listed. Material height listed is rounded off to the nearest whole number.

NOTE: Hook Fastener Adhesive Kit must be ordered when a Back Pan or Back Assembly is requested. This will allow the Loop Fastener Adhesive on the Back Cover to attach properly.

#3 Back Assembly w/o Hardware (16" - 19" W)

Overall Back Height	Material Back Height	16" W	17" W	18" W	19" W
20"	11"	1090561-NLA See Note(s) A	1090562-NLA See Note(s) A	1090563-NLA See Note(s) A	1090564-NLA See Note(s) A
21"	12"	1090568-NLA See Note(s) A	1090569-NLA See Note(s) A	1090570-NLA See Note(s) A	1090571-NLA See Note(s) A
22"	13"	1090575-NLA See Note(s) A	1090576-NLA See Note(s) A	1090577	1090578-NLA See Note(s) A
23"	14"	1090582-NLA See Note(s) A	1090583-NLA See Note(s) A	1090584-NLA See Note(s) A	1090585-NLA See Note(s) A
24"	15"	1090589-NLA See Note(s) A	1090590-NLA See Note(s) A	1090591-NLA See Note(s) A	1090592-NLA See Note(s) A
25"	16"	1090596-NLA See Note(s) A	1090597-NLA See Note(s) A	1090598-NLA See Note(s) A	1090599-NLA See Note(s) A
26"	17"	1090603-NLA See Note(s) A	1090604-NLA See Note(s) A	1090605-NLA See Note(s) A	1090606-NLA See Note(s) A
27"	18"	1090610-NLA See Note(s) A	1090611-NLA See Note(s) A	1090612-NLA See Note(s) A	1090613-NLA See Note(s) A
28"	19"	1090617-NLA See Note(s) A	1090618-NLA See Note(s) A	1090619-NLA See Note(s) A	1090620-NLA See Note(s) A

NOTE: A - No longer available. Must be ordered as separate components, Item 1 (Back Pan) and Item 2 (Back Cushion Assembly).

A.B.S. Curved Back w/o Mounting Hardware (Before 4/21/03)

Recline Only (2GR) and Tilt/Recline (2GTR) w/ V.S.R.

NOTE: Wheelchairs with serial number dated for 2005 and after, call a Customer Service Parts Specialist for additional information on ordering a warranty ABS Back Pan replacement.

NOTE: Overall back height is calculated by measuring from the seat pan surface to the top of the back pan. Back pan material height can be calculated by subtracting 8-3/4" from the overall back height listed. Material height listed is rounded off to the nearest whole number.

NOTE: Hook Fastener Adhesive Kit must be ordered when a Back Pan or Back Assembly is requested. This will allow the Loop Fastener Adhesive on the Back Cover to attach properly.

#3 Back Assembly w/o Hardware (20" - 22" W)

Overall Back Height	Material Back Height	20" W	21" W	22" W
20"	11"	1090565-NLA See Note(s) A	1090566-NLA See Note(s) A	1090567-NLA See Note(s) A
21"	12"	1090572-NLA See Note(s) A	1090573-NLA See Note(s) A	1090574-NLA See Note(s) A
22"	13"	1090579-NLA See Note(s) A	1090580-NLA See Note(s) A	1090581-NLA See Note(s) A
23"	14"	1090586-NLA See Note(s) A	1090587-NLA See Note(s) A	1090588-NLA See Note(s) A
24"	15"	1090593-NLA See Note(s) A	1090594-NLA See Note(s) A	1090595-NLA See Note(s) A
25"	16"	1090600-NLA See Note(s) A	1090601-NLA See Note(s) A	1090602-NLA See Note(s) A
26"	17"	1090607-NLA See Note(s) A	1090608-NLA See Note(s) A	1090609-NLA See Note(s) A
27"	18"	1090614-NLA See Note(s) A	1090615-NLA See Note(s) A	1090616-NLA See Note(s) A
28"	19"	1090621-NLA See Note(s) A	1090622-NLA See Note(s) A	1090623-NLA See Note(s) A

NOTE: A - No longer available. Must be ordered as separate components, Item 1 (Back Pan) and Item 2 (Back Cushion Assembly).