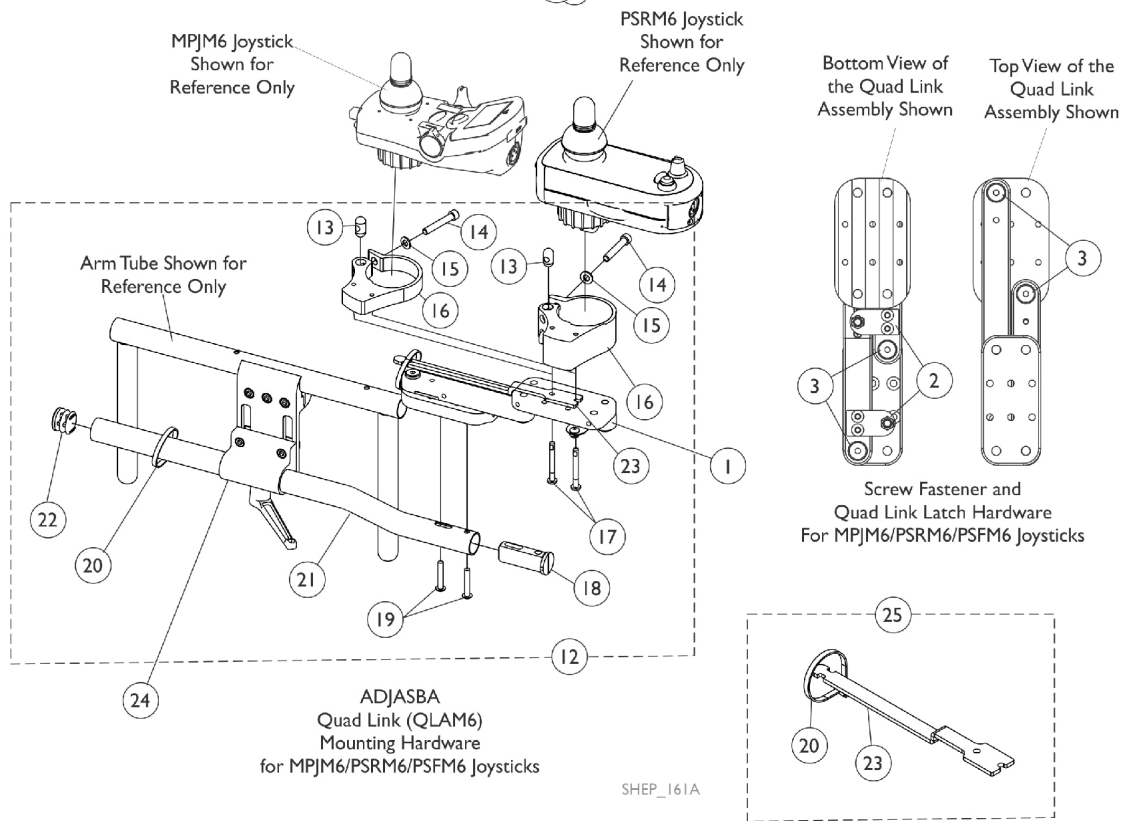
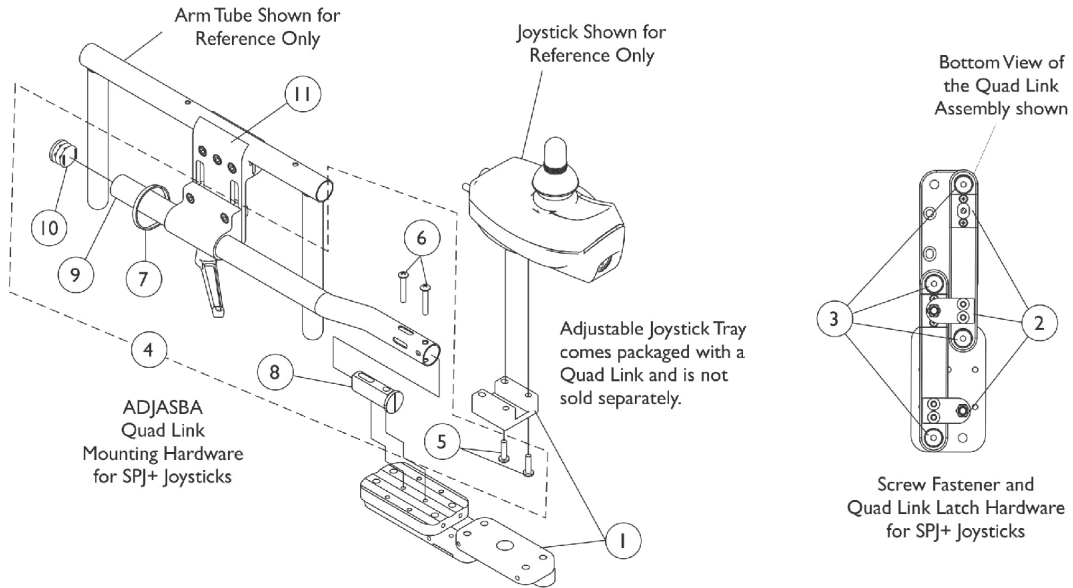


# Quad Link (QLA) and (QLAM6)

**NOTE: Non-Van Style Quad Links work with Cantilever Arms also.**



# Quad Link (QLA) and (QLAM6)

NOTE: Non-Van Style Quad Links work with Cantilever Arms also.

Item Number	Note	Part Number	Description	Quantity Per	
				Package	Assembly
1	D,O	1140896	Quad Link w/ Adjustable Joystick Tray (QLA) and Instruction Sheet - Right	1	1
1	D,O	1140897	Quad Link w/ Adjustable Joystick Tray (QLA) and Instruction Sheet - Left	1	1
1	E,O	1145397	Quad Link (QLM6/QLAM6) - Right	1	1
1	E,O	1145398	Quad Link (QLM6/QLAM6) - Left	1	1
	G	1134844	Instruction Sheet, Quad Link	1	1
2	A	1140425	Kit, Quad Link Latch Hardware	1	1
3	B	1140424-NLA	NLA - Kit, Quad Link Screw Fastener Hardware	1	1
4	C	1139416	Kit, ASBA/ADJASBA Quad Link Mounting Hardware	1	1
5			Screw, Phillips Pan Head w/ Patch (#10-32 x 3/4")	1	2
6			Screw, Phillips Pan Head (#10-32 x 1-1/8")	1	2
7			Tie Wrap (11-1/2" L)	1	1
8			Spacer, Joystick Tube, Black	1	1
9			Tube, Joystick Offset (1/2")	1	1
10			Plug Button, Black (7/8")	1	1
5		1105414	Screw, Phillips Pan Head w/ Patch (#10-32 x 3/4")	1	2
11		1139422	Clamp, Height Adjustable Joystick Tube (ARM250)	1	1
12	K	1154076	Kit, Quad Link Mounting Hardware - MPJM6 Joysticks	1	1
21			Tube, Joystick Offset (1/2")	1	1
22			Plug Button, Black (7/8")	1	1
20			Tie Wrap (11-1/2" L)	1	2
19			Screw, Phillips Pan Head (#10-32 x 1-1/8")	1	2
17			Screw, Phillips Pan Head w/Patch (#10-32 x 7/8")	1	2
15			Washer (1/4 x 1/2 x 1/16")	1	1
14			NLA - Screw, Socket Head (1/4-28 x 1-1/2")	1	1
16			Clamp, Joystick, Quad Link, MPJM6 (5/8" Thick Material)	1	1
13			Pin, Threaded (3/8" x 3/4")	1	1
18			Spacer, Joystick Tube, Black	1	1
23			Bracket, Securement, MK6i	1	1
12	F,F1	1152027	Kit, Quad Link Mounting Hardware - PSRM6/PSFM6 Joysticks	1	1
13			Pin, Threaded (3/8" x 3/4")	1	1
14			NLA - Screw, Socket Head (1/4-28 x 1-1/2")	1	1
15			Washer (1/4 x 1/2 x 1/16")	1	1
16			Clamp, Joystick, Quad Link, PSRM6/PSFM6 (1-1/4" Thick Material)	1	1
17			Screw, Phillips Pan Head w/ Patch (#10-32 x 1-5/8")	1	2
18			Spacer, Joystick Tube, Black	1	1
19			Screw, Phillips Pan Head (#10-32 x 1-1/8")	1	2
20			Tie Wrap (11-1/2" L)	1	2
21			Tube, Joystick Offset (1/2")	1	1
22			Plug Button, Black (7/8")	1	1
16	K	1153820	Clamp, Joystick, Quad Link, MPJM6 (5/8" Thick Material)	1	1

## Quad Link (QLA) and (QLAM6)

**NOTE: Non-Van Style Quad Links work with Cantilever Arms also.**

Item Number	Note	Part Number	Description	Quantity Per	
				Package	Assembly
16	H	1152026	Clamp, Joystick, Quad Link, PSRM6/PSFM6 (1-1/4" Thick Material)	1	1
17	I	1139677	Screw, Phillips Pan Head (#10-32 x 1")	1	2
17	J	1025723	Screw, Phillips Pan Head w/ Patch (#10-32 x 1-5/8")	1	2
17	L	1029157	Screw, Phillips Pan Head w/Patch (#10-32 x 7/8")	1	2
20		98007X005	Tie Wrap (11-1/2" L)	1	2
23	M	1148438	Bracket, Securement, MK6i	1	1
24		1139422	Clamp, Height Adjustable Joystick Tube (ARM250)	1	1
25		1167962	Kit, Quad Link Cable Securement Bracket	1	1
20			Tie Wrap (11-1/2" L)	1	2
23			Bracket, Securement, MK6i	1	1
			Instruction Sheet, Quad Link	1	1

**NOTE:**

- A - Latch Kit includes 4 ea. Button Head Cap Screws (#10-32 x 3/8"), 2 ea. Latch Spring Assembly, 4 ea. Phillips Flat C'Sunk Head Screws, 2 ea. Spring Catch Plates, 2 ea. Socket Head Set Screws (10-32 x 3/8")
- B - Screw Fastener Kit includes 4 ea. Socket Head Shoulder Screws (3/8 x 3/8"), 2 ea. Socket Head Cap Screws (1/4-20 x 3/8"), 2 ea. Socket Head Set Screws (1/4-20 x 1/2"), 4 ea. Socket Head Set Screws (#10-32 x 1/8")
- C - Includes items 5-10.
- D - For use with SPJ+ Joysticks.
- E - For use with MPJM6/PSRM6/PSFM6 Joysticks.
- F - Includes items 13-22. Joystick Clamp was revised from 5/8" to 1-1/4" material 10/31/07 to accommodate the MPJM6 and PSFM6/PSRM6 Joystick models.
- F1 - But as of 3/13/08 the 1-1/4" thick Joystick Clamp is no longer used for MPJM6 Joysticks and used exclusively for PSRM6/PSFM6 only. See item 12 pt# 1154076 for "all" MPJM6 Joysticks.
- G - Not Shown
- H - As of 3/13/08 the 1-1/4" thick Joystick Clamp is used exclusively for PSRM6/PSFM6 and no longer used for MPJM6 Joysticks. See item 16 pt# 1153820 Joystick Clamp and item 17 pt # 1029157 Screws for "all" MPJM6 Joysticks.
- I - Before 10/31/07. Used with Joystick Clamp 5/8" thick material.
- J - After 10/30/07. Used with Joystick Clamp 1-1/4" thick material.
- K - As of 3/13/08 a new Quad Link Joystick Clamp and Mounting Hardware was created exclusively for MPJM6 Joysticks and no longer uses the 1-1/4" thick Joystick Clamp. The new Joystick Clamp is backward compatible for "all" MPJM6 Joysticks in the field.
- L - After 3/12/08 used with MPJM6 Quad Joystick Clamp pt # 1153820 only.
- M - Hardware not included. Order (2) of Item 20.
- O - ARM250 Height Adjustable Joystick Tube Clamp comes standard on-chair when a QLA or QLAM6 Quad Link is ordered.