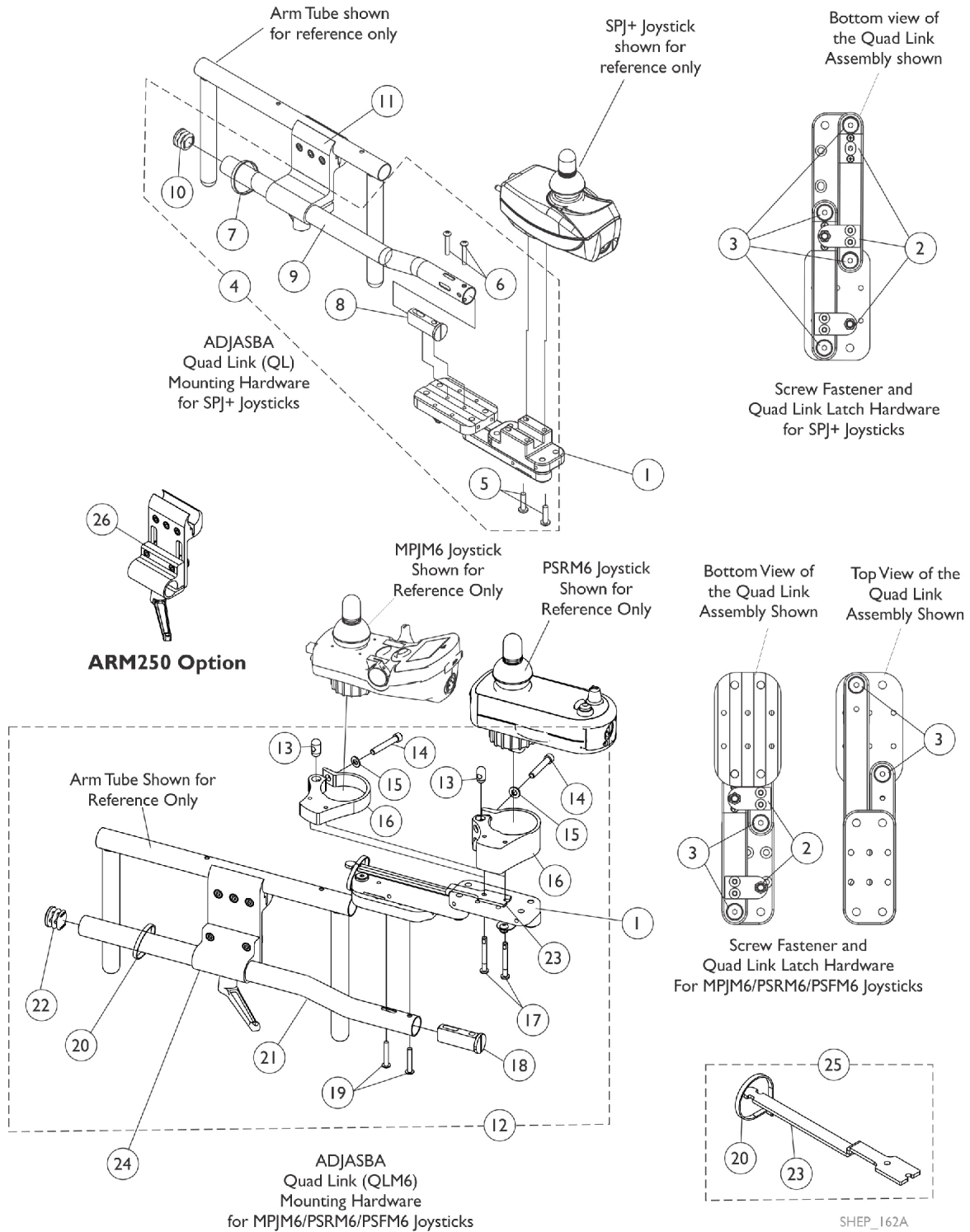


# Quad Link (QL) and (QLM6) - ADJASBA Seats

NOTE: Non-Van Style Quad Links work with Cantilever Arms also.



# Quad Link (QL) and (QLM6) - ADJASBA Seats

NOTE: Non-Van Style Quad Links work with Cantilever Arms also.

Item Number	Note	Part Number	Description	Quantity Per	
				Package	Assembly
1	D	1140898	Quad Link (QL) with Instruction Sheet - Right	1	1
1	D	1140899	Quad Link (QL) with Instruction Sheet - Left	1	1
1	E	1145397	Quad Link (QLM6/QLAM6) - Right	1	1
1	E	1145398	Quad Link (QLM6/QLAM6) - Left	1	1
	G	1134844	Instruction Sheet, Quad Link	1	1
2	A	1140425	Kit, Quad Link Latch Hardware	1	1
3	B	1140424-NLA	NLA - Kit, Quad Link Screw Fastener Hardware	1	1
4	C	1142937	Kit, ASBA/ADJASBA Quad Link Mounting Hardware	1	1
5			Screw, Phillips Pan Head w/ Patch (#10-32 x 3/4")	1	2
6			Screw, Phillips Pan Head (#10-32 x 1-1/8")	1	2
7			Tie Wrap (11-1/2" L)	1	1
8			Spacer, Joystick Tube, Black	1	1
9			Tube, Joystick Offset (2")	1	1
10			Plug Button, Black (7/8")	1	1
5		1105414	Screw, Phillips Pan Head w/ Patch (#10-32 x 3/4")	1	2
11		1093071	Clamp, Fixed Height Joystick Tube	1	1
12	K	1154076	Kit, Quad Link Mounting Hardware - MPJM6 Joysticks	1	1
13			Pin, Threaded (3/8" x 3/4")	1	1
14			NLA - Screw, Socket Head (1/4-28 x 1-1/2")	1	1
15			Washer (1/4 x 1/2 x 1/16")	1	1
16			Clamp, Joystick, Quad Link, MPJM6 (5/8" Thick Material)	1	1
17			Screw, Phillips Pan Head w/Patch (#10-32 x 7/8")	1	2
18			Spacer, Joystick Tube, Black	1	1
19			Screw, Phillips Pan Head (#10-32 x 1-1/8")	1	2
20			Tie Wrap (11-1/2" L)	1	2
21			Tube, Joystick Offset (1/2")	1	1
22			Plug Button, Black (7/8")	1	1
23			Bracket, Securement, MK6i	1	1
12	F,F1	1152027	Kit, Quad Link Mounting Hardware - PSRM6/PSFM6 Joysticks	1	1
13			Pin, Threaded (3/8" x 3/4")	1	1
14			NLA - Screw, Socket Head (1/4-28 x 1-1/2")	1	1
15			Washer (1/4 x 1/2 x 1/16")	1	1
16			Clamp, Joystick, Quad Link, PSRM6/PSFM6 (1-1/4" Thick Material)	1	1
17			Screw, Phillips Pan Head w/ Patch (#10-32 x 1-5/8")	1	2
18			Spacer, Joystick Tube, Black	1	1
19			Screw, Phillips Pan Head (#10-32 x 1-1/8")	1	2
20			Tie Wrap (11-1/2" L)	1	2
21			Tube, Joystick Offset (1/2")	1	1
22			Plug Button, Black (7/8")	1	1
16	K	1153820	Clamp, Joystick, Quad Link, MPJM6 (5/8" Thick Material)	1	1
16	H	1152026	Clamp, Joystick, Quad Link, PSRM6/PSFM6 (1-1/4" Thick Material)	1	1

# Quad Link (QL) and (QLM6) - ADJASBA Seats

NOTE: Non-Van Style Quad Links work with Cantilever Arms also.

Item Number	Note	Part Number	Description	Quantity Per	
				Package	Assembly
17	I	1139677	Screw, Phillips Pan Head (#10-32 x 1")	1	2
17	J	1025723	Screw, Phillips Pan Head w/ Patch (#10-32 x 1-5/8")	1	2
17	L	1029157	Screw, Phillips Pan Head w/Patch (#10-32 x 7/8")	1	2
24		1093071	Clamp, Fixed Height Joystick Tube	1	1
25	M	1167962	Kit, Quad Link Cable Securement Bracket	1	1
20			Tie Wrap (11-1/2" L)	1	2
23			Bracket, Securement, MK6i	1	1
			Instruction Sheet, Quad Link	1	1
26	N	1139422	Clamp, Height Adjustable Joystick Tube (ARM250)	1	1

NOTE: A - Latch Kit includes 4 ea. Button Head Cap Screws (#10-32 x 3/8"), 2 ea. Latch Spring Assembly, 4 ea. Phillips Flat C'Sunk Head Screws, 2 ea. Spring Catch Plates, 2 ea. Socket Head Set Screws (10-32 x 3/8")  
 B - Screw Fastener Kit includes 4 ea. Socket Head Shoulder Screws (3/8 x 3/8"), 2 ea. Socket Head Cap Screws (1/4-20 x 3/8"), 2 ea. Socket Head Set Screws (1/4-20 x 1/2"), 4 ea. Socket Head Set Screws (#10-32 x 1/8")  
 C - Includes items 5-10.  
 D - For use with SPJ+ Joysticks.  
 E - For use with MPJM6/PSRM6/PSFM6 Joysticks.  
 F - Includes items 13-22. Joystick Clamp was revised from 5/8" to 1-1/4" thick material 10/31/07 to accommodate the MPJM6 and PSFM6/PSRM6 Joystick models.  
 F1 - But as of 3/13/08 the 1-1/4" thick Joystick Clamp is no longer used for MPJM6 Joysticks and used exclusively for PSRM6/PSFM6 only. See item 12 pt# 1154076 for "all" MPJM6 Joysticks.  
 G - Not Shown  
 H - As of 3/13/08 the 1-1/4" thick Joystick Clamp is used exclusively for PSRM6/PSFM6 and no longer used for MPJM6 Joysticks. See item 16 pt# 1153820 Joystick Clamp and item 17 pt # 1029157 Screws for "all" MPJM6 Joysticks.  
 I - Before 10/31/07. Used with Joystick Clamp 5/8" thick material.  
 J - After 10/30/07. Used with Joystick Clamp 1-1/4" thick material.  
 K - As of 3/13/08 a new Quad Link Joystick Clamp and Mounting Hardware was created exclusively for MPJM6 Joysticks and no longer uses the 1-1/4" Thick Joystick Clamp. The new 5/8" thick Joystick Clamp is backward compatible for all MPJM6 Joysticks in the field  
 L - After 3/12/08 used with MPJM6 Quad Joystick Clamp pt # 1153820 only.  
 M - Includes items 20, 23 and Instruction Sheet  
 N - ARM250 Height Adjustable Joystick Tube Clamp is an on-chair option when a QL or QLM6 Quad Link is ordered.