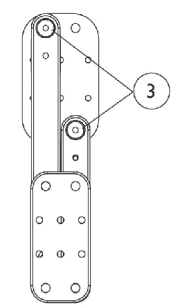
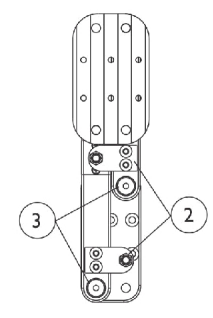
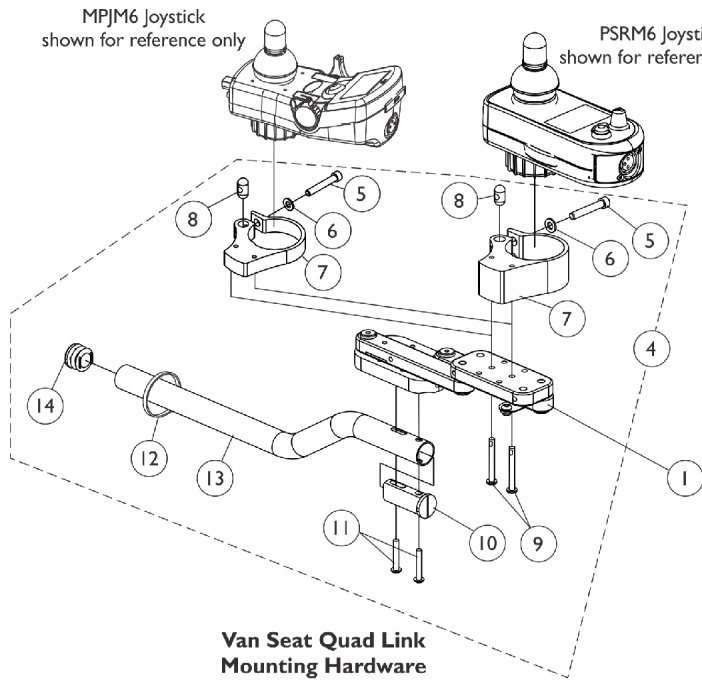
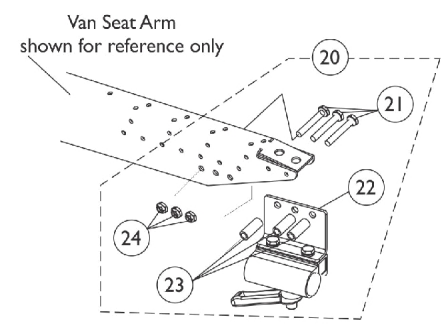
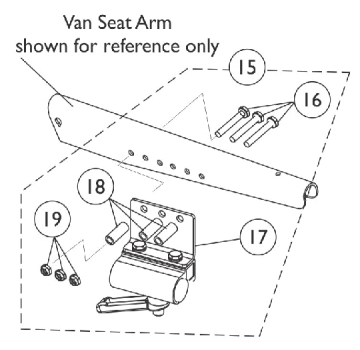


Quad Link (QLM6) - Van Seats with MPJM6/PSRM6/PSFM6 Joysticks



Screw Fastener and Quad Link Latch Hardware For MPJM6/PSRM6/PSFM6 Joysticks



SHEP_I60A

Quad Link (QLM6) - Van Seats with MPJM6/PSRM6/PSFM6 Joysticks

Item Number	Note	Part Number	Description	Quantity Per	
				Package	Assembly
1		1145397	Quad Link (QLM6/QLAM6) - Right	1	1
1		1145398	Quad Link (QLM6/QLAM6) - Left	1	1
	C	1134844	Instruction Sheet, Quad Link	1	1
2	A	1140425	Kit, Quad Link Latch Hardware	1	1
3	B	1140424-NLA	NLA - Kit, Quad Link Screw Fastener Hardware	1	1
4	I	1154077	Kit, Quad Link Mounting Hardware - Van Seat w/ MPJM6 Joystick	1	1
5			NLA - Screw, Socket Head (1/4-28 x 1-1/2")	1	1
6			Washer (1/4 x 1/2 x 1/16")	1	1
7			Clamp, Joystick, Quad Link, MPJM6 (5/8" Thick Material)	1	1
8			Pin, Threaded (3/8" x 3/4")	1	1
9			Screw, Phillips Pan Head w/Patch (#10-32 x 7/8")	1	2
10			Spacer, Joystick Tube, Black	1	1
11			Screw, Phillips Pan Head (#10-32 x 1-1/8")	1	2
12			Tie Wrap (11-1/2" L)	1	1
13			Tube, Joystick Offset (2")	1	1
14			Plug Button, Black (7/8")	1	1
4	D,D1	1152661-NLA	NLA - Kit, Quad Link Mounting Hardware - Van Seat w/ PSRM6/PSFM6 Joystick	1	1
5			NLA - Screw, Socket Head (1/4-28 x 1-1/2")	1	1
6			Washer (1/4 x 1/2 x 1/16")	1	1
7			Clamp, Joystick, Quad Link, PSRM6/PSFM6 (1-1/4" Thick Material)	1	1
8			Pin, Threaded (3/8" x 3/4")	1	1
9			Screw, Phillips Pan Head w/ Patch (#10-32 x 1-5/8")	1	2
10			Spacer, Joystick Tube, Black	1	1
11			Screw, Phillips Pan Head (#10-32 x 1-1/8")	1	2
12			Tie Wrap (11-1/2" L)	1	1
13			Tube, Joystick Offset (2")	1	1
14			Plug Button, Black (7/8")	1	1
7	I	1153820	Clamp, Joystick, Quad Link, MPJM6 (5/8" Thick Material)	1	1
7	F	1152026	Clamp, Joystick, Quad Link, PSRM6/PSFM6 (1-1/4" Thick Material)	1	1
9	G	1139677	Screw, Phillips Pan Head (#10-32 x 1")	1	2
9	H	1025723	Screw, Phillips Pan Head w/ Patch (#10-32 x 1-5/8")	1	2
9	J	1029157	Screw, Phillips Pan Head w/Patch (#10-32 x 7/8")	1	2
15		1105050-NLA	NLA - Kit, Joystick Tube Mounting Hardware - Captain/ Van Seat	1	1
16		1057955	Screw, Hex Head (1/4-20 x 1-1/4")	1	3
17		1105049	Clamp Assembly, Fixed Height, Captain/ Van Seat	1	1
18		1101524-NLA	NLA - Spacer (1/4 x 7/16 x 5/8")	1	3
19		1025195	Locknut (1/4-20)	1	3
20	E	1142480	Kit, Joystick Tube Mounting Hardware - Captain/Van Seat	1	1
21			Screw, Hex Head (1/4-20 x 1-5/8")	1	3

Quad Link (QLM6) - Van Seats with MPJM6/PSRM6/PSFM6 Joysticks

Item Number	Note	Part Number	Description	Quantity Per	
				Package	Assembly
22			Clamp Assembly, Fixed Height, Captain/ Van Seat	1	1
23			Spacer (1/4 x 3/8 x 1")	1	3
24			Locknut (1/4-20)	1	3
21		1037610	Screw, Hex Head (1/4-20 x 1-5/8")	1	3
22		1139681	Clamp Assembly, Fixed Height, Captain/ Van Seat	1	1
23		1087219	Spacer (1/4 x 3/8 x 1")	1	3
24		1025195	Locknut (1/4-20)	1	3
25	K	1167962	Kit, Quad Link Cable Securement Bracket	1	1
12			Tie Wrap (11-1/2" L)	1	2
26			Bracket, Securement, MK6i	1	1
			Instruction Sheet, Quad Link	1	1
<p>NOTE: A - Latch Kit includes 4 ea. Button Head Cap Screws (#10-32 x 3/8"), 2 ea. Latch Spring Assembly, 4 ea. Phillips Flat C'Sunk Head Screws, 2 ea. Spring Catch Plates, 2 ea. Socket Head Set Screws (10-32 x 3/8")</p> <p>B - Screw Fastener Kit includes 4 ea. Socket Head Shoulder Screws (3/8 x 3/8"), 2 ea. Socket Head Cap Screws (1/4-20 x 3/8"), 2 ea. Socket Head Set Screws (1/4-20 x 1/2"), 4 ea. Socket Head Set Screws (#10-32 x 1/8")</p> <p>C - Not Shown</p> <p>D - Includes items 5-14. Joystick Clamp was revised from 5/8" to 1-1/4" material 10/31/07 to accommodate not only the MPJM6 but the PSFM6/PSRM6 Joysticks also.</p> <p>D1 - As of 3/13/08 the 1-1/4" thick Joystick Clamp is no longer used for MPJM6 Joysticks and used exclusively for PSRM6/PSFM6 only. See item 4 pt# 1154077 for "all" MPJM6 Joysticks.</p> <p>E - Includes items 21-24</p> <p>F - As of 3/13/08 the 1-1/4" thick Joystick Clamp is used exclusively for PSRM6/PSFM6. See item 7 pt# 1153820 Joystick Clamp and item 9 pt # 1029157 Screws for "all" MPJM6 Joysticks.</p> <p>G - Before 10/31/07. Used with Joystick Clamp 5/8" thick material.</p> <p>H - After 10/30/07. Used with Joystick Clamp 1-1/4" thick material.</p> <p>I - As of 3/13/08 a new Quad Link Joystick Clamp and Mounting Hardware was created exclusively for MPJM6 Joysticks. The new Quad Link Clamp is backward compatible for all MPJM6 Joysticks in the field.</p> <p>J - After 3/12/08 used with MPJM6 Quad Joystick Clamp pt # 1153820 only.</p> <p>K - Includes items 12, 26 and Instruction Sheet. Used for MPJM6 Joysticks only</p>					