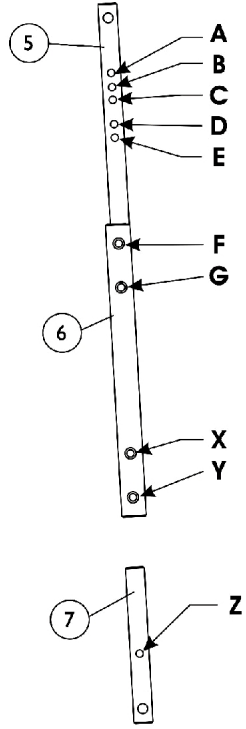
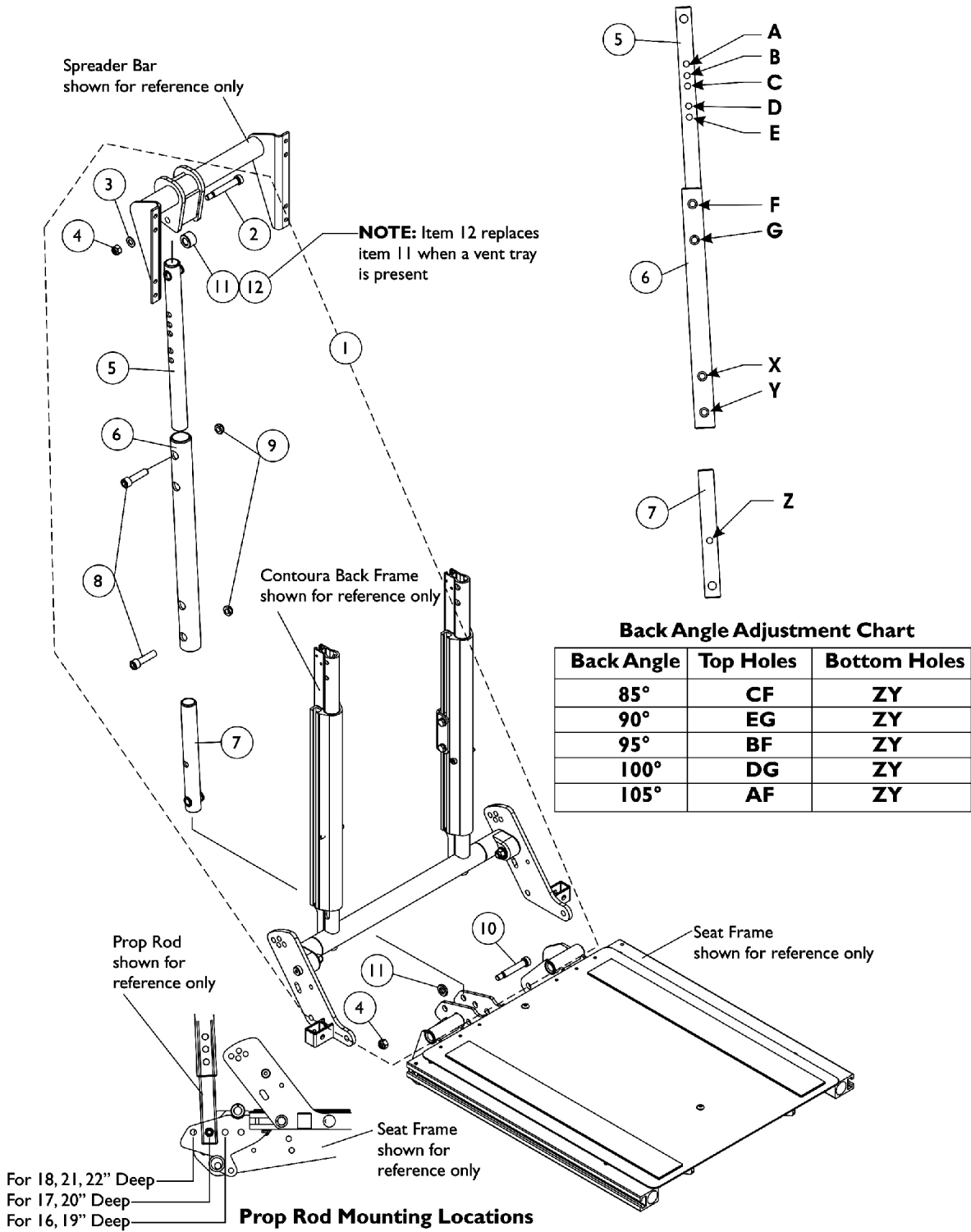


# Prop Rod Assembly

## Contoura Tilt



**Back Angle Adjustment Chart**

Back Angle	Top Holes	Bottom Holes
85°	CF	ZY
90°	EG	ZY
95°	BF	ZY
100°	DG	ZY
105°	AF	ZY

## Prop Rod Assembly Contoura Tilt

Item Number	Note	Part Number	Description	Quantity Per	
				Package	Assembly
1	A,B,C	1125764-NLA	NLA - Kit, Prop Rod Assembly Contoura Tilt	1	1
2			Screw, Shoulder Hex Socket (3/8 x 2", 5/16-18)	1	1
3			Washer, Flat (5/16 x 5/8 x 1/16")	1	1
4			Locknut (5/16-18)	1	2
5			NLA - Kit, Top Prop Rod with Bushings	1	1
6			NLA - Tube, Middle Prop Rod, Black	1	1
7			NLA - Kit, Bottom Prop Rod Tube with Bushings	1	1
8			Screw, Socket Head w/ Patch (3/8-16 x 1-1/2")	1	2
9			Locknut, Low Profile (3/8-16)	1	2
10			Screw, Shoulder Hex Socket Head (3/8 x 1-3/4", 5/16-18)	1	1
11			NLA - Bushing, Actuator Motor (3/8 x 3/4 x 5/32")	1	2
12			Spacer (3/8 x 1 x 1/2")	1	1

NOTE: A - Includes items 2-12  
 B - When a vent tray is present, item 11 located on the top side of the prop rod is replaced with item 12  
 C - Relocation of holes were made 7/5/05 for items 5, 6 and 7. Item 1 must be ordered for chairs manufactured before 7/5/05.