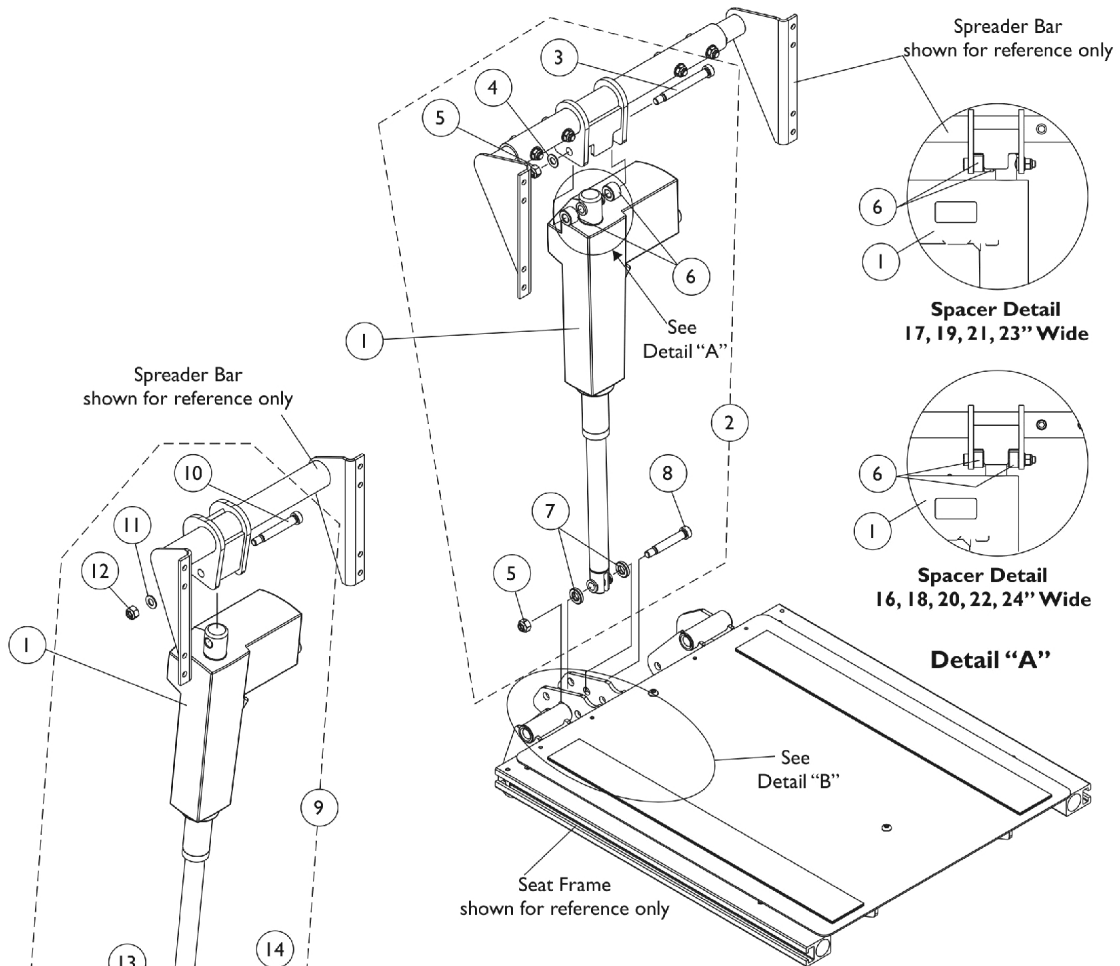


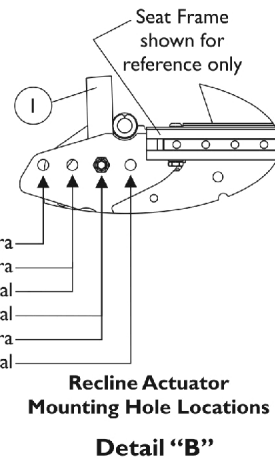
Recline Actuator Motor and Mounting Hardware



**Recline Actuator Motor Mounting Hardware
For Conventional Seating**

**Recline Actuator Motor Mounting Hardware
For Contoura Seating**

- 18, 21, 22" Deep Contoura
- 17, 20" Deep Contoura
- 19, 22" Deep Conventional
- 18, 21" Deep Conventional
- 16, 19" Deep Contoura
- 16, 17, 20" Deep Conventional



**Recline Actuator
Mounting Hole Locations
Detail "B"**

Recline Actuator Motor and Mounting Hardware

Item Number	Note	Part Number	Description	Quantity Per	
				Package	Assembly
1	D	1125635-NLA	NLA - Motor, Recline Actuator - MK5	1	1
1	C	1146350-NLA	NLA - Motor, Recline Actuator - MK6i	1	1
2	A	1125752-NLA	NLA - Kit, Recline Actuator Motor Mounting Hardware Conventional	1	1
3			NLA - Screw, Shoulder Hex Socket Head (3/8 x 2-3/4", 5/16-18)	1	1
4			Washer, Flat (5/16 x 5/8 x 1/16")	1	1
5			Locknut (5/16-18)	1	2
6			Spacer (3/8 x 1 x 1/2")	1	2
7			NLA - Bushing, Actuator Motor (3/8 x 3/4 x 5/32")	1	2
8			Screw, Shoulder Hex Socket Head (3/8 x 1-3/4", 5/16-18)	1	1
9	B	1125753-NLA	NLA - Kit, Recline Actuator Motor Mounting Hardware Contoura	1	1
10			Screw, Shoulder Hex Socket (3/8 x 2", 5/16-18)	1	1
11			Washer, Flat (5/16 x 5/8 x 1/16")	1	1
12			Locknut (5/16-18)	1	2
13			NLA - Bushing, Actuator Motor (3/8 x 3/4 x 5/32")	1	2
14			Screw, Shoulder Hex Socket Head (3/8 x 1-3/4", 5/16-18)	1	1

NOTE: A - Includes items 3-8
 B - Includes items 10-14
 C - Used with MK6i Electronics only. Includes the Actuator Motor and Bushings. NOTE: Part # 1136915 referenced on the motor is not available, refer to part # 1146350.
 D - Includes the Actuator Motor and Bushings. NOTE: Part # 1122257 referenced on the motor is not available, refer to part # 1125635.