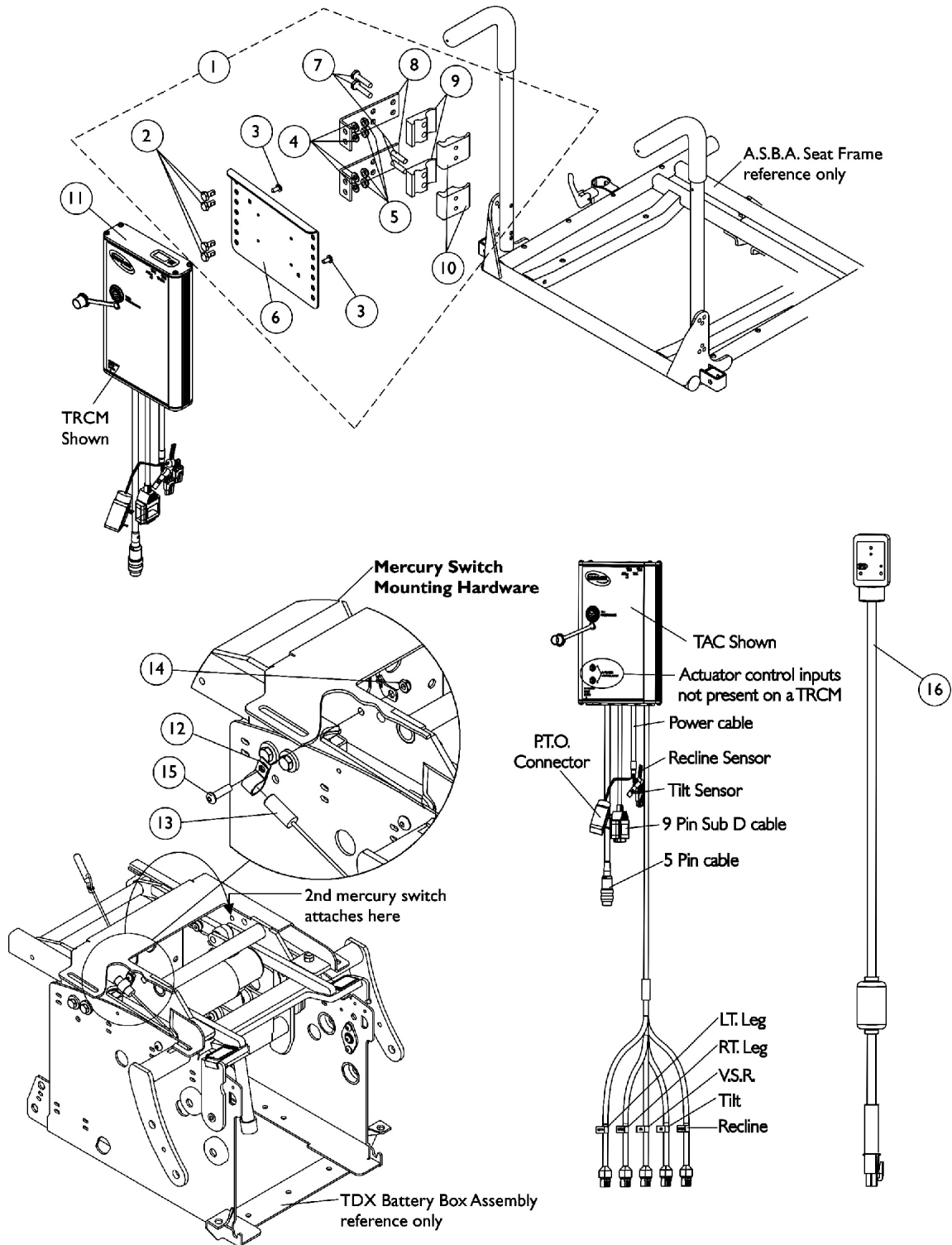


# MK5 TAC and MK5 TRCM with Mounting Hardware

## After 2/27/06

As of 7/1/2009, switches are mercury free.



# MK5 TAC and MK5 TRCM with Mounting Hardware

## After 2/27/06

As of 7/1/2009, switches are mercury free.

Item Number	Note	Part Number	Description	Quantity Per	
				Package	Assembly
1	A	1142600-NLA	NLA - Kit, MK5 TAC/TRECM Mounting Hardware	1	1
2			Screw, Hex Head w/ Patch (1/4-20 x 1/2")	1	4
3			NLA - Screw, Phillips Pan Head w/ Patch (#10-32 x 3/8")	1	2
4			Washer (1/4 x 1/2 x 1/16")	1	4
5			Locknut (1/4-20)	1	4
6			NLA - Bracket, Controller Mounting, Black	1	1
7			NLA - Screw, Hex Head (1/4-20 x 1-1/8")	1	4
8			NLA - Bracket, Standoff, Black	1	2
9			Half Clamp, Non-Threaded Holes	1	2
10			NLA - Half Clamp, Threaded Holes	1	2
11		1118728-NLA	NLA - Controller, MK5 TAC	1	1
11	B,D	1118729-NLA	NLA - Controller, MK5 TRCM	1	1
11	B	1118729E-NLA	NLA - Reconditioned - Controller, MK5 TRCM	1	1
12		0062800-NLA	NLA - Bracket, Cable/Wire Mounting, Black	1	2
13		1080634-NLA	NLA - Harness, Drive Lockout Mercury Free Ball Switch	1	2
14		1025195	Locknut (1/4-20)	1	1
15		1028410-NLA	NLA - Screw, Socket Button Head (1/4-20 x 7/8")	1	1
16		1119418	Cable, Auxiliary Power	1	1
	C	1095503-NLA	NLA - Package, Tie Wrap (5-5/8" L)	10	1
	C	1095502-NLA	NLA - Package, Tie Wrap (11-1/2" L)	10	1

NOTE: A - Includes items 2-10  
 B - MK5 TRCM is used when ELRPW Power Articulating Legrest are ordered  
 C - Not Shown  
 D - 1118729 is no longer available. Order part number 1118729E as a replacement

Effective 7/1/2009, switches are mercury free.