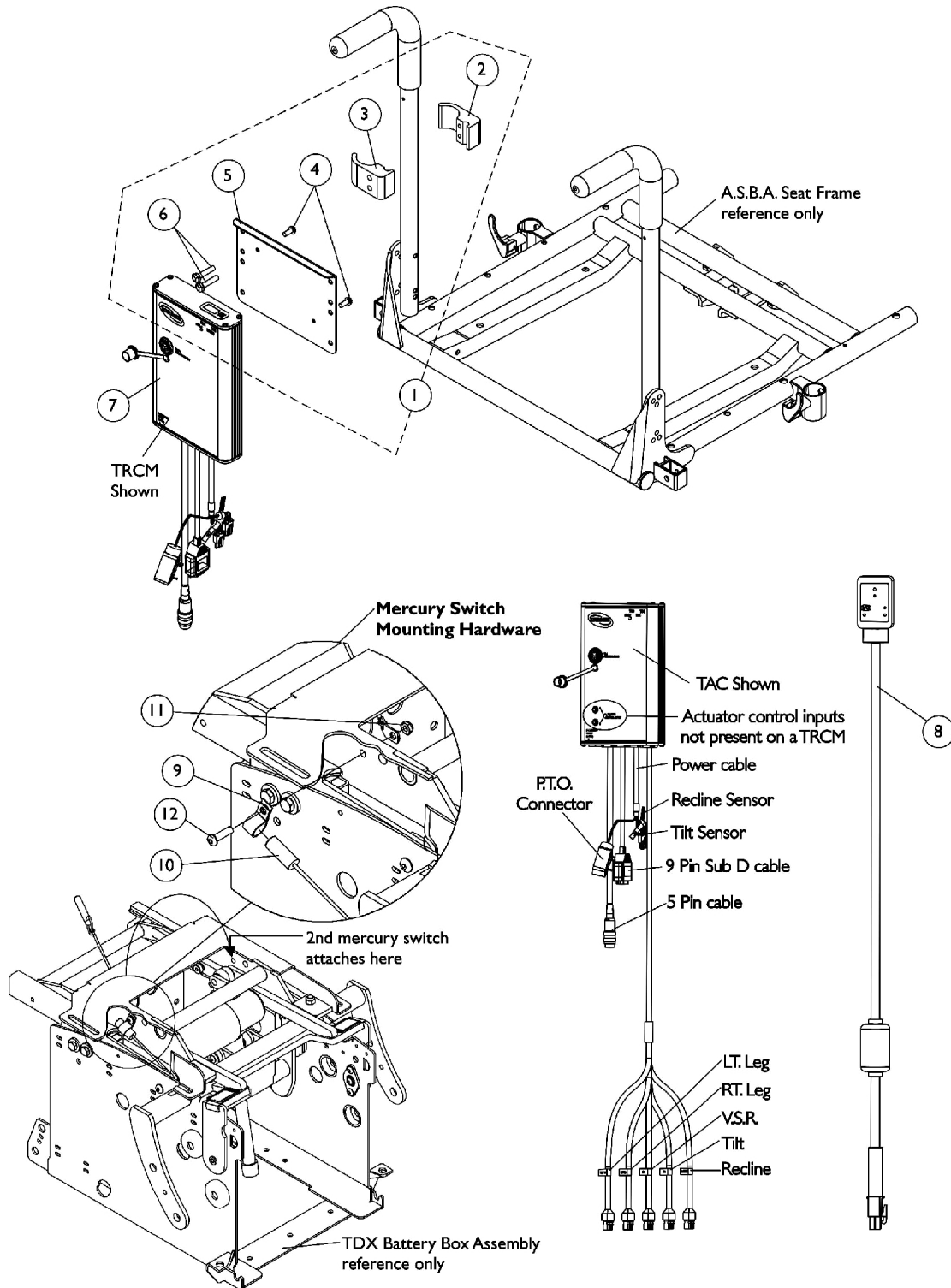


MK5 TAC and MK5 TRCM with Mounting Hardware

Before 2/28/06

As of 7/1/2009, switches are mercury free.



MK5 TAC and MK5 TRCM with Mounting Hardware

Before 2/28/06

As of 7/1/2009, switches are mercury free.

Item Number	Note	Part Number	Description	Quantity Per	
				Package	Assembly
1	A	1120262	Kit, MK5 TAC, TRCM, and TRECM Mounting Hardware	1	1
2			NLA - Half Clamp, Threaded Holes	1	1
3			Half Clamp, Non-Threaded Holes	1	1
4			NLA - Screw, Phillips Pan Head w/ Patch (#10-32 x 3/8")	1	2
5			NLA - Bracket, Controller Mounting, Black	1	1
6			NLA - Screw, Hex Head (1/4-20 x 1-1/8")	1	2
7		1118728-NLA	NLA - Controller, MK5 TAC	1	1
7	B,D	1118729-NLA	NLA - Controller, MK5 TRCM	1	1
7	B	1118729E-NLA	NLA - Reconditioned - Controller, MK5 TRCM	1	1
8		1119418	Cable, Auxiliary Power	1	1
9		0062800-NLA	NLA - Bracket, Cable/Wire Mounting, Black	1	2
10		1080634-NLA	NLA - Harness, Drive Lockout Mercury Free Ball Switch	1	2
11		1025195	Locknut (1/4-20)	1	1
12		1028410-NLA	NLA - Screw, Socket Button Head (1/4-20 x 7/8")	1	1
	C	1095503-NLA	NLA - Package, Tie Wrap (5-5/8" L)	10	1
	C	1095502-NLA	NLA - Package, Tie Wrap (11-1/2" L)	10	1

NOTE: A - Includes items 2-6
 B - MK5 TRCM is used when ELRPW Power Articulating Legrest are ordered
 C - Not Shown
 D - 1118729 is no longer available. Order part number 1118729E as a replacement

Effective 07/01/2009, switches are mercury free.