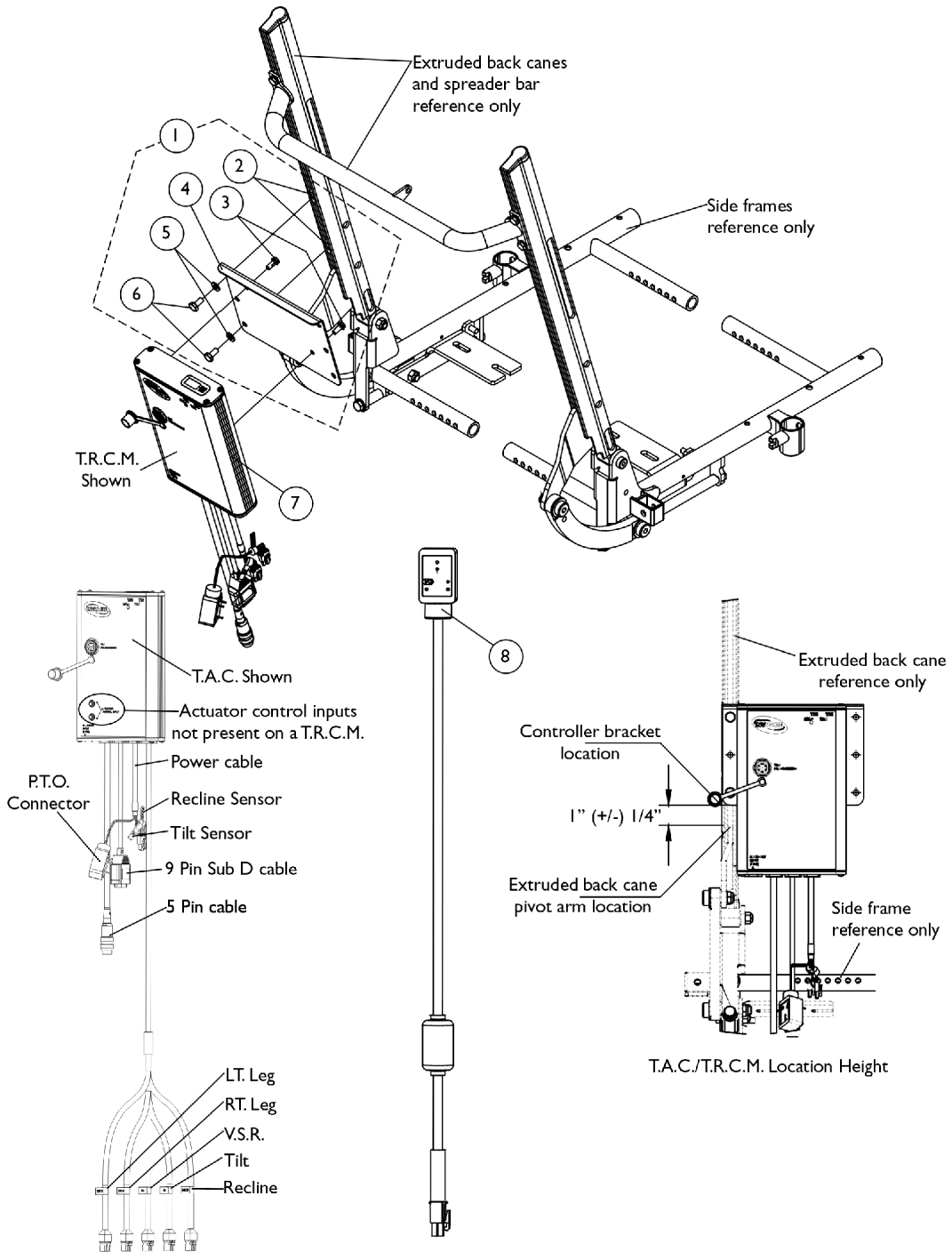


# MK5 TAC/TRCM and Mounting Hardware For Extruded Back Canes



## MK5 TAC/TRCM and Mounting Hardware For Extruded Back Canes

Item Number	Note	Part Number	Description	Quantity Per	
				Package	Assembly
1	A	1121180-NLA	NLA - Hardware, T.A.C./T.R.C.M. Mounting, Extruded Back Canes	1	1
2		1082699	T-Nut (1/4-20)	1	2
3		1079316-NLA	NLA - Screw, Phillips Pan Head w/ Patch (#10-32 x 3/8")	1	2
4		1113601-NLA	NLA - Bracket, Controller Mounting, Black	1	1
5		1026907	Washer (1/4 x 1/2 x 1/16")	1	2
6		1078214	Screw, Hex Head w/ Patch (1/4-20 x 1/2")	1	2
7	B	1118728-NLA	NLA - Controller, MK5 TAC	1	1
7	E	1118729-NLA	NLA - Controller, MK5 TRCM	1	1
7		1118729E-NLA	NLA - Reconditioned - Controller, MK5 TRCM	1	1
8		1119418	Cable, Auxiliary Power	1	1
	C	1142595-NLA	Kit, MK5 SAC To MK5 TAC Conversion For Tarsys 2GT w/ Extruded Back Canes on TDX	1	1
2			T-Nut (1/4-20)	1	2
3			NLA - Screw, Phillips Pan Head w/ Patch (#10-32 x 3/8")	1	2
4			NLA - Bracket, Controller Mounting, Black	1	1
5			Washer (1/4 x 1/2 x 1/16")	1	2
6			Screw, Hex Head w/ Patch (1/4-20 x 1/2")	1	2
7			NLA - Controller, MK5 TAC	1	1
			Tie Wrap (11-1/2" L)	1	10
			Tie Wrap (5-5/8" L)	1	10
			NLA - Instruction Sheet, MK5 SAC To MK5 TAC Conversion For Tarsys 2GT w/ Round & Extruded Back Canes on TDX	1	1
	C	1142595E-NLA	Reconditioned - Kit, MK5 SAC To MK5 TAC Conversion Kit For Tarsys 2GT w/ Extruded Back Canes on TDX	1	1
			NLA - WARR RPLMT - Controller, MK5 TAC	1	1
			NLA - Hardware, T.A.C./T.R.C.M. Mounting, Extruded Back Canes	1	1
			NLA - Instruction Sheet, MK5 SAC To MK5 TAC Conversion For Tarsys 2GT w/ Round & Extruded Back Canes on TDX	1	1
			Tie Wrap (11-1/2" L)	1	10
			Tie Wrap (5-5/8" L)	1	10
	D	1095503-NLA	NLA - Package, Tie Wrap (5-5/8" L)	10	1
	D	1095502-NLA	NLA - Package, Tie Wrap (11-1/2" L)	10	1
	D	1141485-NLA	NLA - Instruction Sheet, MK5 SAC To MK5 TAC Conversion For Tarsys 2GT w/ Round & Extruded Back Canes on TDX	1	1

NOTE: A - Includes items 2-6  
 B - When converting a MK5 SAC to a MK5 TAC, refer to the Conversion Kit part # 1142595. Conversion Kit includes all parts needed to convert a (Tarsys 2GT w/ Extruded Canes on TDX)  
 C - Not Shown. Kit components for a Tarsys 2GT w/ Extruded Canes on TDX uses items 2-7, Cable Ties and Instruction Sheet  
 D - Not Shown  
 E - 1118729 is no longer available. Order part number 1118729E as a replacement