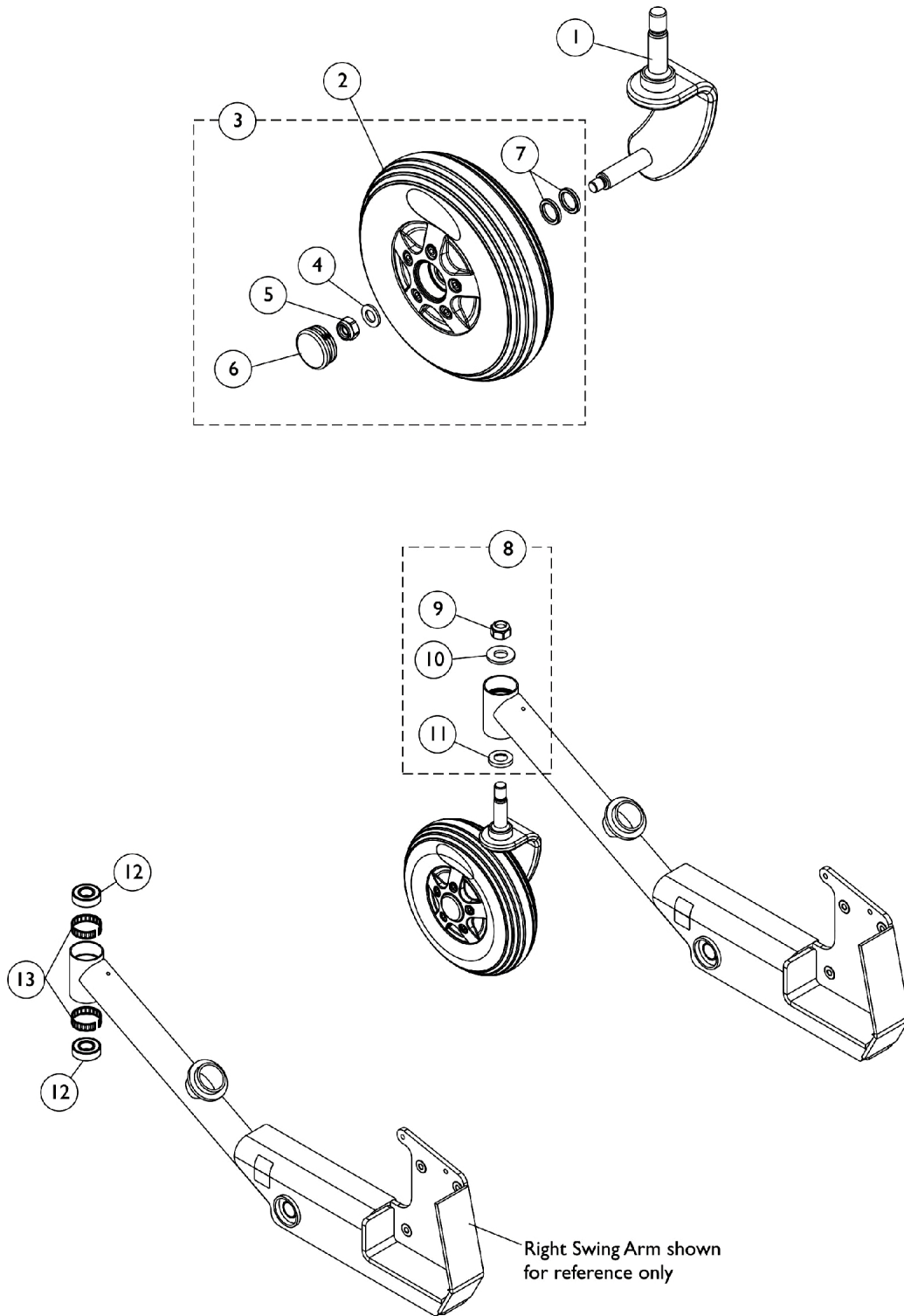


Caster and Forks - Rear

NOTE: Rear Fork and Stem Caster Head Tube Cap is not used for the FDX model. The Swing Arm Shroud covers over the Fork and Stem Caster Head Tube instead.



Caster and Forks - Rear

NOTE: Rear Fork and Stem Caster Head Tube Cap is not used for the FDX model. The Swing Arm Shroud covers over the Fork and Stem Caster Head Tube instead.

Item Number	Note	Part Number	Description	Quantity Per		
				Package	Assembly	
1		1162570	Fork and Stem, 1-Sided - Right	1	1	
1		1162571	Fork and Stem, 1-Sided - Left	1	1	
2	A	1162534	Caster, Rear, Urethane (200mm x 60mm)	1	1	
3	B	1168904-NLA	NLA - Kit, Caster Mounting Hardware	1	1	
4			NLA - Washer, Steel (10mm x 20mm x 2mm)	1	1	
5			NLA - Locknut (M10 x 1.5)	1	1	
6			NLA - Cap, End, Tube, Black (35mm)	1	1	
7			Spacer, Steel (5/8 x 7/8 x 1/8")	1	2	
6			1168905-NLA	NLA - Package, Cap, End, Tube, Black (35mm) (Pair)	2	1
8	C		1168903	Kit, Fork Mounting Hardware	1	1
9		Locknut (M14 x 2)		1	1	
10		Washer, Nylon (5/8 x 1-5/16 x 1/8")		1	1	
11		Spacer, Stem (5/8 x 1-1/8 x 3/16")		1	1	
12		40117X006		Bearing (5/8")	1	2
13		1110717	Ring, Tolerance	1	2	

NOTE: A - Individual components are non-serviceable. If a custom needs to replace the (2) caster bearings, you must order a new Rear Caster part #1162534.
 B - Includes items 4-7
 C - Includes items 9-11