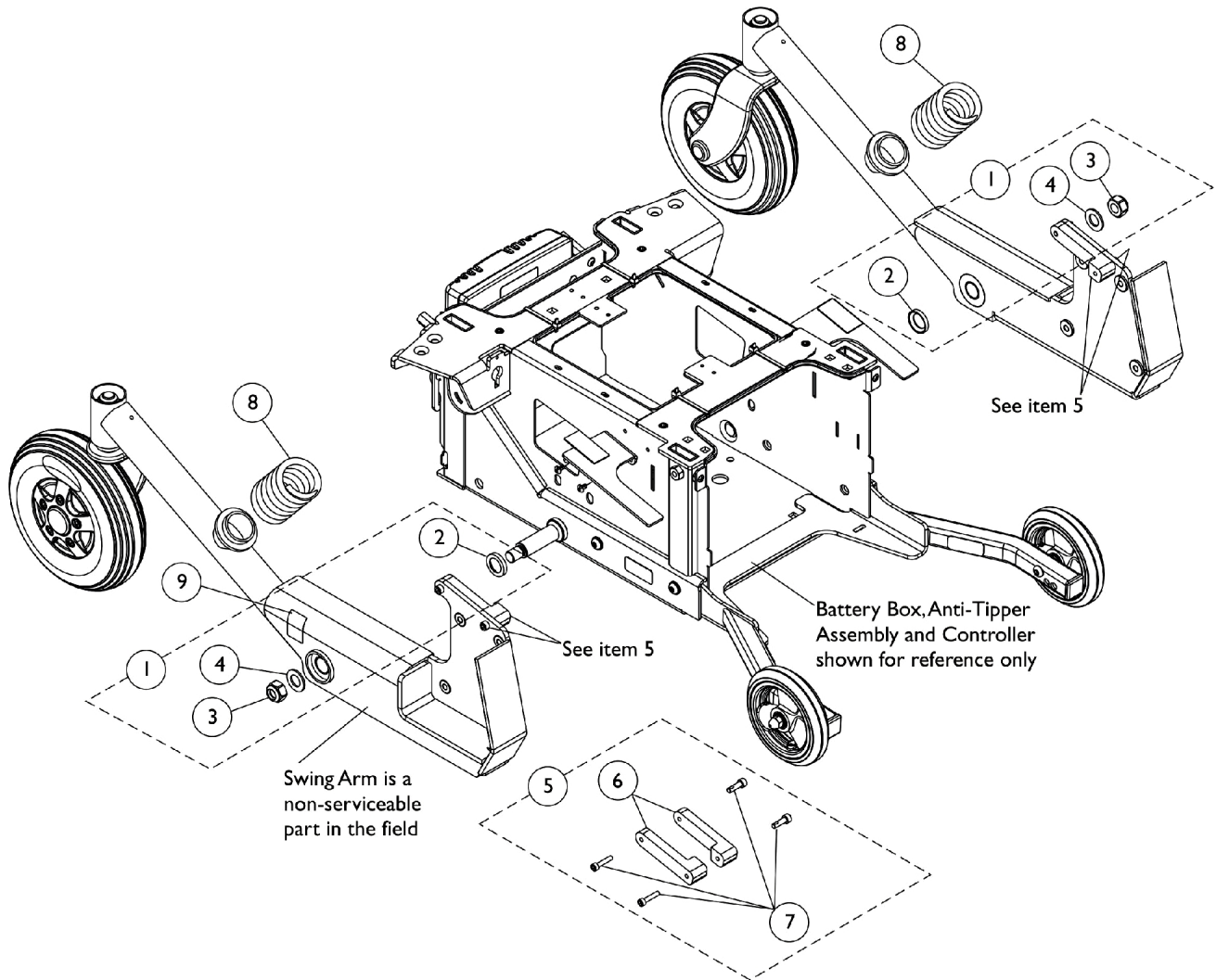


Swing Arm and Hardware

Non-serviceable parts in the field require the wheelchair to be returned to Invacare for repair. Call Technical Services for assistance (1-800-832-4707)



Swing Arm and Hardware

Non-serviceable parts in the field require the wheelchair to be returned to Invacare for repair. Call Technical Services for assistance (1-800-832-4707)

Item Number	Note	Part Number	Description	Quantity Per	
				Package	Assembly
1	A	1168895	Kit, Swing Arm Mounting Hardware	1	2
2			Spacer, Coved (3/4 x 1-1/8 x 1-1/32")	1	1
3			Locknut (M14 x 2)	1	1
4			Washer (14mm x 28mm x 2mm)	1	1
5	B	1168886	Kit, Stop Blocks and Hardware (Pair)	1	1
6			Block, Stop, 14" Wheel - Right	1	1
6			Block, Stop, 14" Wheel - Left	1	1
7			Screw, Socket Head (M5 x .8 x 25mm)	1	4
8	C	1168896	Spring, Non-Heavy Duty (Pair)	2	1
8	D	1168897	Spring, Heavy Duty (Pair)	2	1
9		1104802	Decal, Push/Drive	1	2

NOTE: A - Includes items 2-4.
 B - Includes items 6 and 7.
 C - Non-Heavy Duty Spring is used for Formula CG powered seating systems w/o Vent or COMP.
 D - Heavy Duty Spring is used for ADJASBA and ADJRECL non-powered seating systems or Formula CG powered seating systems w/ Vent or COMP .