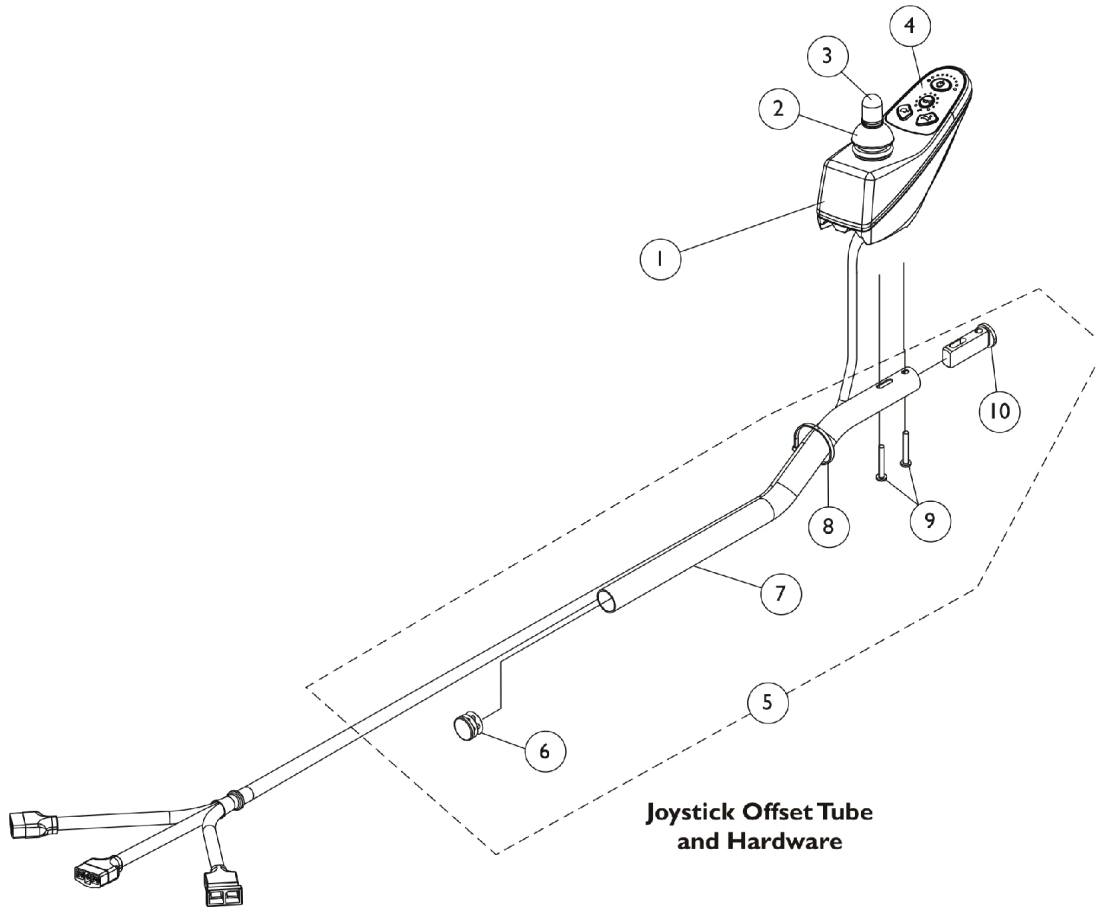
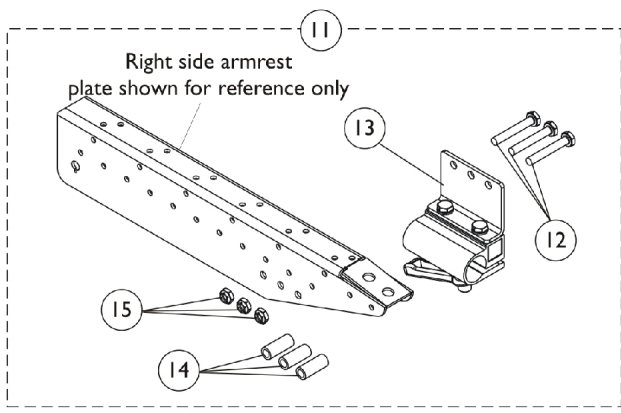


Joystick/Controller, A-Series Integrated

NOTE: Joystick and Controller are combined into one unit and has programming capabilities
(For Ser. #'s 08DSZ190001 - 09ESZ)



Joystick Offset Tube and Hardware



Joystick Tube Mounting Hardware

Joystick/Controller, A-Series Integrated

NOTE: Joystick and Controller are combined into one unit and has programming capabilities
(For Ser. #'s 08DSZ190001 - 09ESZ)

Item Number	Note	Part Number	Description	Quantity Per	
				Package	Assembly
1	A	1147600-NLA	NLA - Joystick/Controller, A-Series Integrated	1	1
2		1040218	Skirt, Joystick Rubber, Black	1	1
3		1040217	Knob, Joystick Rubber, Black	1	1
4	E	1165880	Kit, Overlay, A-Series Joystick/Controller	1	1
			Overlay, A-Series Joystick/Controller	1	1
			Instruction Sheet, MK5/MK6 Overlay	1	1
5	B	1161733	Kit, 2" Offset Joystick Tube w/ Hardware	1	1
6			Plug Button, Black (7/8")	1	1
7			Tube, Joystick Offset (2")	1	1
8			Tie Wrap (11-1/2" L)	1	2
9			Screw, Phillips Pan Head (#10-32 x 1-1/8")	1	2
9			Screw, Phillips Pan Head (M5 x .8 x 30mm)	1	2
10			Spacer, Joystick Tube, Black	1	1
11	C	1115000	Kit, Joystick Tube Mounting Hardware - Captain Seat	1	1
12		1037610	Screw, Hex Head (1/4-20 x 1-5/8")	1	3
13		1105049	Clamp Assembly, Fixed Height, Captain/ Van Seat	1	1
14		1087219	Spacer (1/4 x 3/8 x 1")	1	3
15		1025195	Locknut (1/4-20)	1	3
	D	1143837	NLA - Kit, Literature, A-Series Controller	1	1
			NLA - Warranty Card	1	1
			NLA - Owner's Manual, M41	1	1
			Instruction Manual, MK5 A-Series Programmer	1	1
			Tie Wrap (11-1/2" L)	1	3
	D	1121089	Charger, Battery, 3 Amp, Off Board	1	1
	D	1121089E-NLA	NLA - WARR RPLMT - Charger, Battery, 3 Amp (Off Board)	1	1

NOTE: A - Includes Joystick/Controller, items 2, 3 and item #4 Overlay. Introduced 4/1/08 starting with serial number 08DSZ190001 - 09ESZ.
 B - Includes items 6-10. Kit contains Standard (#10-32) and Metric (M5) screws. Customer selects screw that applies to their application.
 C - Includes items 12-15
 D - Not Shown
 E - Includes the A-Series Joystick/Controller Overlay and Instruction Sheet