

Walker (Dual Release)

With 3" or 5" Fixed Wheel and Glide Tips.

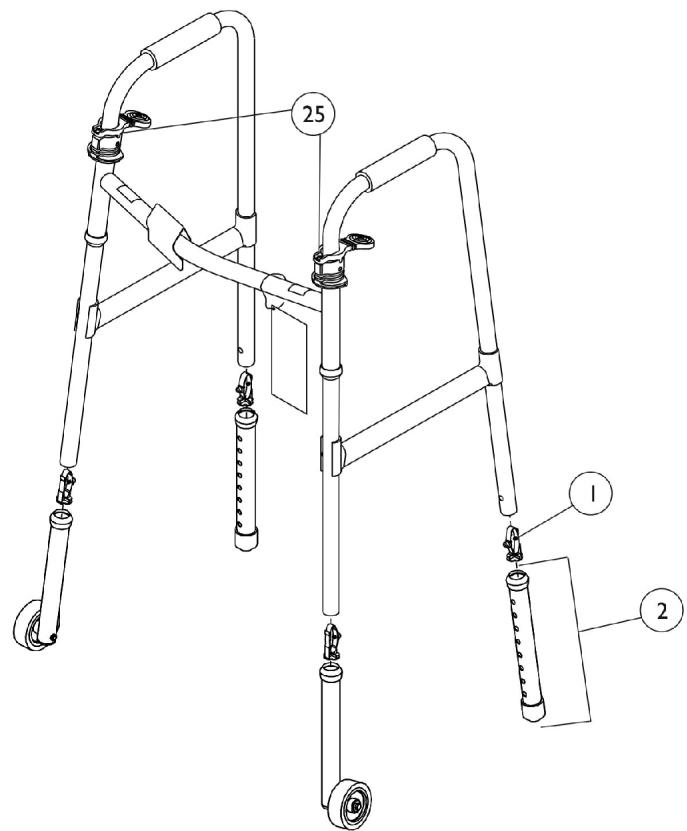
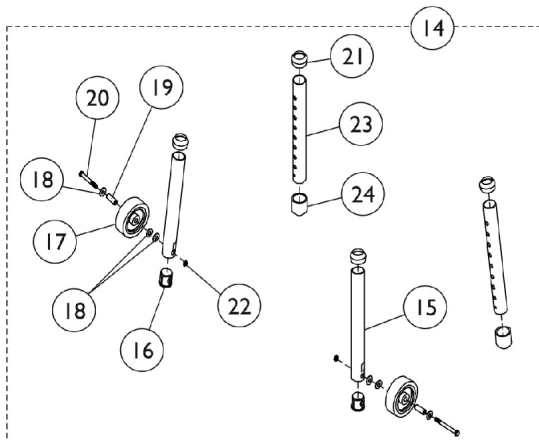
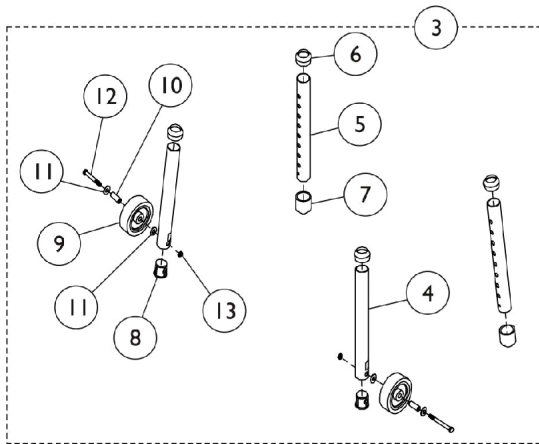
NOTE: 6291 Series Walkers Side Cross Brace was changed from plastic to aluminum after 8/19/17.

Model 6291-3F (4 Pack)

Model 6291-JR3F (4 Pack)

Model 6291-5F (4 Pack)

Model 6291-JR5F (4 Pack)



Walker (Dual Release)

With 3" or 5" Fixed Wheel and Glide Tips.

NOTE: 6291 Series Walkers Side Cross Brace was changed from plastic to aluminum after 8/19/17.

Item Number	Note	Part Number	Description	Quantity Per	
				Package	Assembly
1	K	1074462-NLA	NLA - Button, Snap	1	4
1	M	1130780-NLA	NLA - Kit, Snap Buttons	10	1
1		1094945	Button, Snap	1	4
2	A,B,C, D	1058000	Leg Extension Assembly (10")	1	2
2	B,E	6266	Leg Extension Assembly (13")	2	1
3	C,F,I	1060590	Kit, Leg Extension (3"), Fixed	1	1
4			Leg Extension Tube with Axle Hole	1	2
5			NLA - Leg, Adjustable	1	2
6			Anti-Rattle, Grey (1-1/8")	1	4
7			NLA - Tip, Glide, Grey (1-1/8")	1	2
8			Bushing (1")	1	2
9			NLA - Wheel (3" x 1")	1	2
10			Bushing (1/4 x 3/8 x 1/13")	1	2
11			NLA - Washer, Steel Flat (1/4 x 5/8 x 1/16")	1	4
12			Screw, Hex Head (1/4-20 x 2-1/2")	1	2
13			Locknut (1/4-20)	1	2
14	E,G,H, J	1086797	Kit, Leg Extension (5"), Fixed	1	1
15			Leg Extension Tube with Axle Hole	1	2
16			Bushing (1")	1	2
17			Wheel (5" x 1-1/4")	1	2
18			NLA - Washer, Steel Flat (1/4 x 5/8 x 1/16")	1	6
19			Bushing (1/4 x 1-3/8")	1	2
20			Screw, Hex Head (1/4-20 x 2-3/4")	1	2
21			Anti-Rattle, Grey (1-1/8")	1	4
22			Locknut (1/4-20)	1	2
23			Tube, Leg Extension (13")	1	2
24			NLA - Tip, Glide, Grey (1-1/8")	1	2
25	L	1043538-NLA	NLA - Nut, Push	1	4
25		1130784-NLA	NLA - Kit, Push Nut	10	1

NOTE: A - Due to style changes, when replacing Leg Extensions before 6/25/98, Order (4) each. Models built after 6/24/98 can order Single Assemblies.

B - Includes: Leg, Anti-Rattle and Glide Tips.

C - To be used with Model 6291-3F.

D - To be used with Model 6291-JR3F.

E - To be used with Model 6291-5F.

F - To be used with 3" Wheel.

G - To be used with 5" Wheel.

H - Due to Wheel style change, order in pairs after 2/7/02.

I - Kit Includes Items 4-13.

J - Kit Includes Items 15-25.

K - Individual item no longer available, use 1130780 as its replacement.

L - Individual item no longer available, use 1130784 as its replacement.

M - Kit is no longer available, use 1094945 as its replacement.