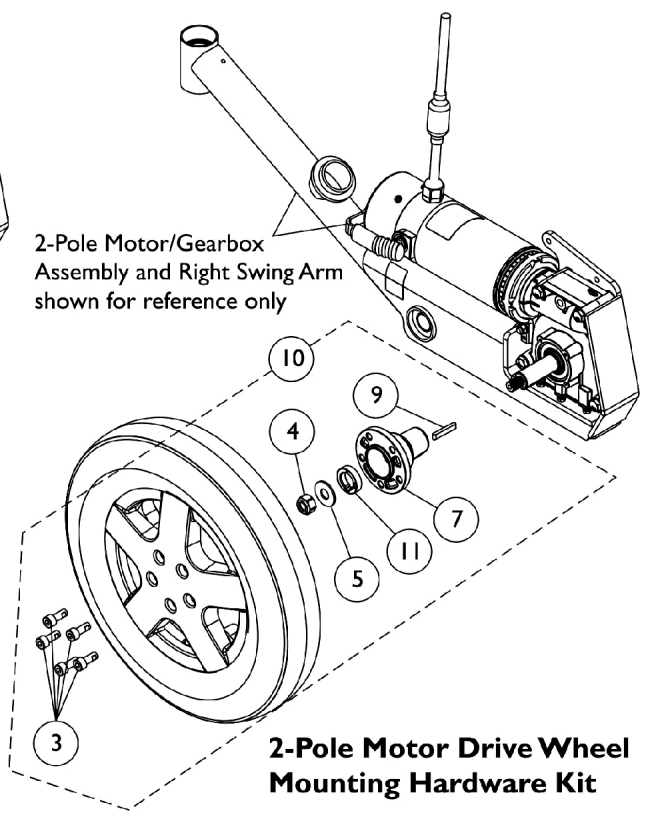
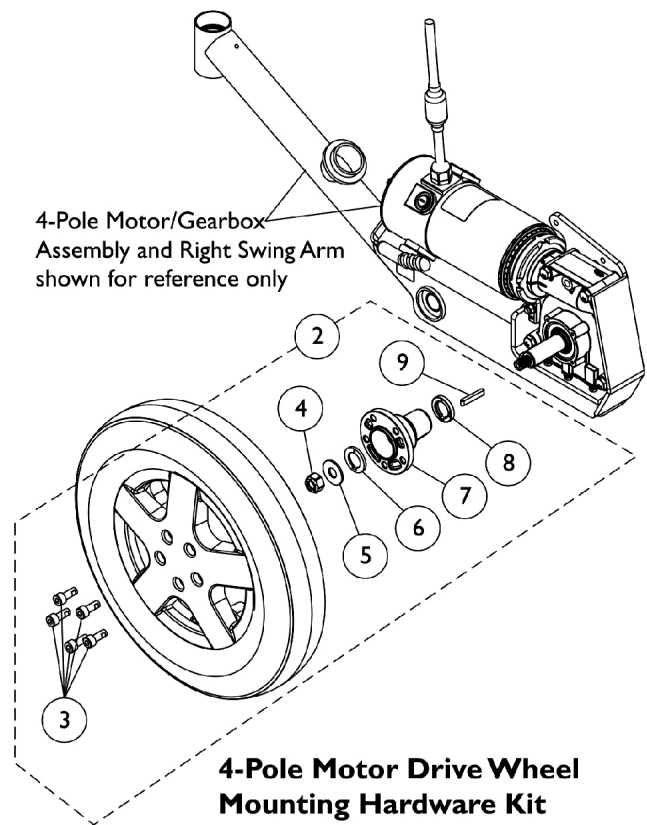
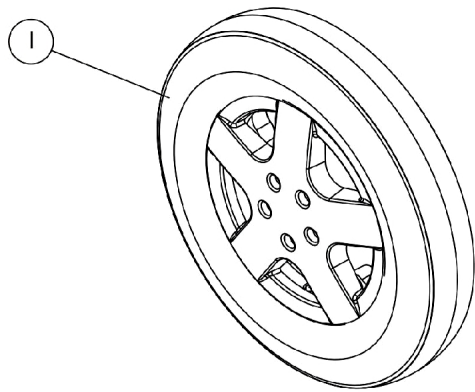


Drive Wheels and Mounting Hardware (14" x 3")



Drive Wheels and Mounting Hardware (14" x 3")

Item Number	Note	Part Number	Description	Quantity Per	
				Package	Assembly
1	A	1167685	Drive Wheel Assembly, Flat Free Gel Foam, Grey Tire/Silver Rim (14" x 3")	1	1
	D	1141342	Tire w/ Foam Fill Insert, Grey (14" x 3")	1	1
2	B	1168891	Kit, 4-Pole Motor Drive Wheel Mounting Hardware (14" x 3")	1	1
3			Screw, Socket Head w/ Patch (M8 x 1.25 x 25mm)	1	5
4			Locknut (M12 x 1.5)	1	1
5			Washer, Plain (12.38mm x 30mm x 2mm)	1	1
6			Spacer, Hub (3mm)	1	1
7			Hub, Wheel (14" x 3")	1	1
8			Spacer, Hub (5mm)	1	1
9			Key (6mm x 6mm x 40mm)	1	1
10	C	1168890	Kit, 2-Pole Motor Drive Wheel Mounting Hardware (14" x 3")	1	1
3			Screw, Socket Head w/ Patch (M8 x 1.25 x 25mm)	1	5
4			Locknut (M12 x 1.5)	1	1
5			Washer, Plain (12.38mm x 30mm x 2mm)	1	1
7			Hub, Wheel (14" x 3")	1	1
9			Key (6mm x 6mm x 40mm)	1	1
11			Spacer, Hub (8mm)	1	1
<p>NOTE: A - 14" x 3" Tire w/ Soft Density Flat Free Gel foam (yellow) is not available for item #1 part number 1167685. Customer can use the Tire w/ Hard Density Flat Free foam (green) part #1141342. It is recommended to order in pairs to match.</p> <p>B - Includes items 3-9</p> <p>C - Includes items 3-5, 7, 9 and 11</p> <p>D - Not Shown. It is recommended to order in pairs to match foam density.</p>					