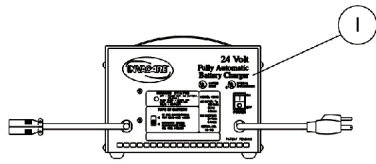
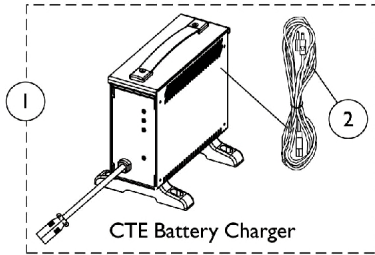


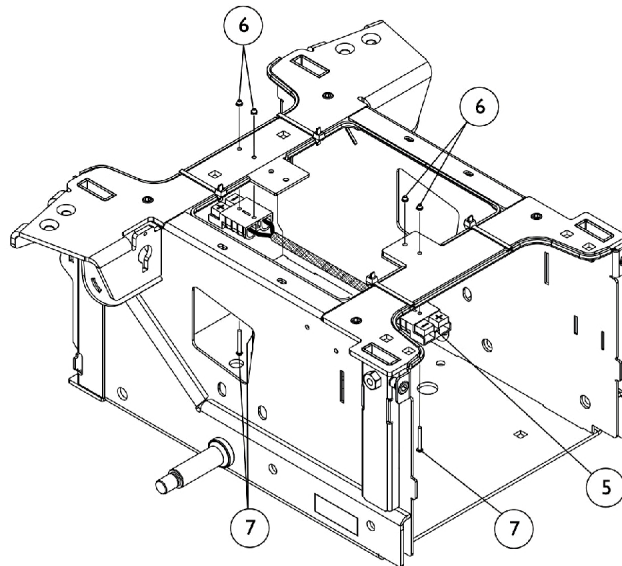
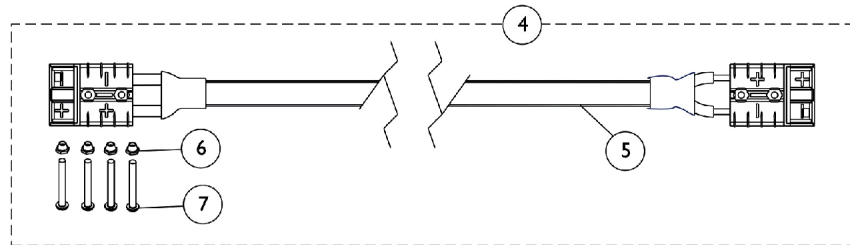
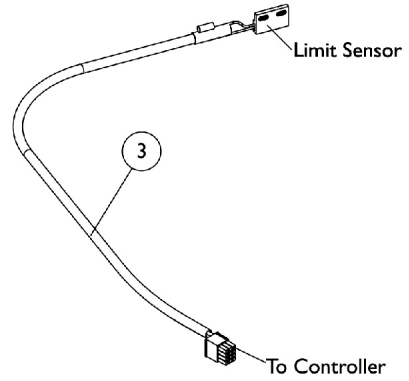
Battery Chargers and Cables



Lester Battery Charger



CTE Battery Charger



Battery Cable Mounting Location

Battery Chargers and Cables

Item Number	Note	Part Number	Description	Quantity Per	
				Package	Assembly
1	E	1053161-NLA	NLA - Charger, Battery, 8 Amp, 115vac, Off Board Dual Mode Round Plug, Lester	1	1
1	A	1123249	Charger, Battery, 8 Amp. 115vac (Off Board) Single Mode Round Plug w/ AC Power Line Cord	1	1
1	A	1123249E-NLA	NLA - WARR RPLMT - Charger, Battery, 8 Amp, 115VAC (Off Board) Single Mode Round Plug w/ AC Power Line Cord	1	1
2	D	1089627-NLA	NLA - Cord, AC Power, 115VAC, 2 Prong Off-Board (11' 6" L)	1	1
2		1121086	Cord, AC Power, 115VAC, 3 Prong On-Board (6' 6-1/2" L)	1	1
3	B	1144926	Cable, Drive Lockout Sensor, MK6i	1	1
4	C	1168910	Kit, Battery Cable Assembly and Attaching Hardware	1	1
5			Battery Cable Assembly	1	1
6			Nut, Hex Prev-Torq (M3 x .5)	1	4
7			Screw, Socket Button Head (M3 x .5 x 25mm)	1	4
<p>NOTE: A - CTE charger is standard on-chair. Used on Gel Cell or AGM (Absorbed Glass Mat) batteries. For wet cell batteries refer to the Lester charger part number 1053161. B - Drive Lockout Sensor Cable used for chairs manufactured with a ADJRECL Seat Frame. C - Includes items 5-7 D - No longer available as a service part. Please use 1121086 as its replacement. E - Use Battery Charger part number 1123249 as a replacement.</p>					