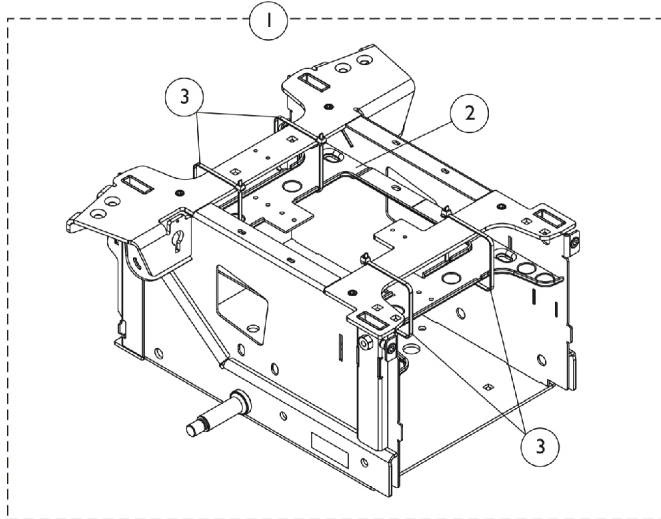
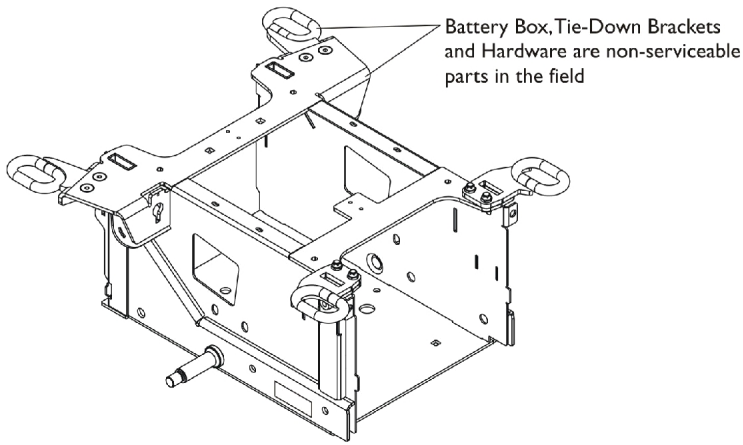


Battery Box Assembly, Battery Box Isolation Shroud and Battery Retainer Brackets

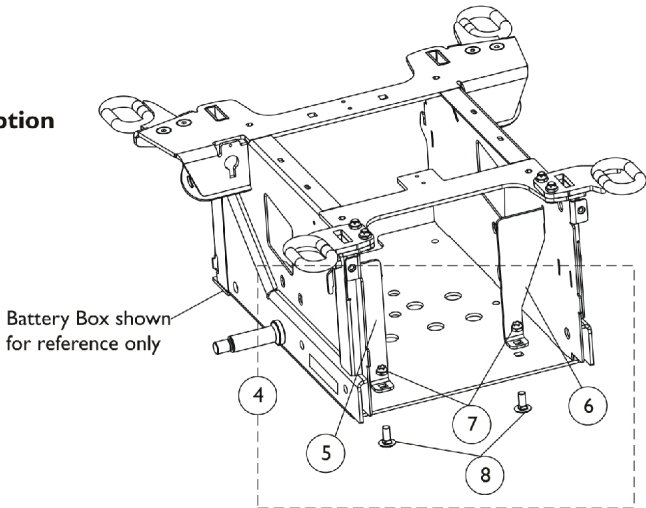
Non-serviceable parts in the field require the wheelchair to be returned to Invacare for repair. Call Technical Services for assistance (1-800-832-4707)



Battery Box Isolation Shroud



Battery Box with TRRO/TRBKTS Option



Battery Box shown for reference only

Battery Box Assembly, Battery Box Isolation Shroud and Battery Retainer Brackets

Non-serviceable parts in the field require the wheelchair to be returned to Invacare for repair. Call Technical Services for assistance (1-800-832-4707)

Item Number	Note	Part Number	Description	Quantity Per	
				Package	Assembly
1	A	1168906-NLA	NLA - Kit, Battery Box Isolation Shroud	1	1
2			Shroud, Battery Box Isolation	1	1
3			Tie Wrap (11-1/2" L)	1	4
4	B	1162568	Kit, Battery Retainer Brackets and Hardware	1	1
5			Bracket, Battery Retainer, Black - Right	1	1
6			Bracket, Battery Retainer, Black - Left	1	1
7			NLA - Locknut (M8 x 1.25)	1	2
8			NLA - Bolt, Round Head Square Neck (M8 x 1.25 x 20mm)	1	2
NOTE: A - Includes items 2 and 3 B - Includes items 5-8					