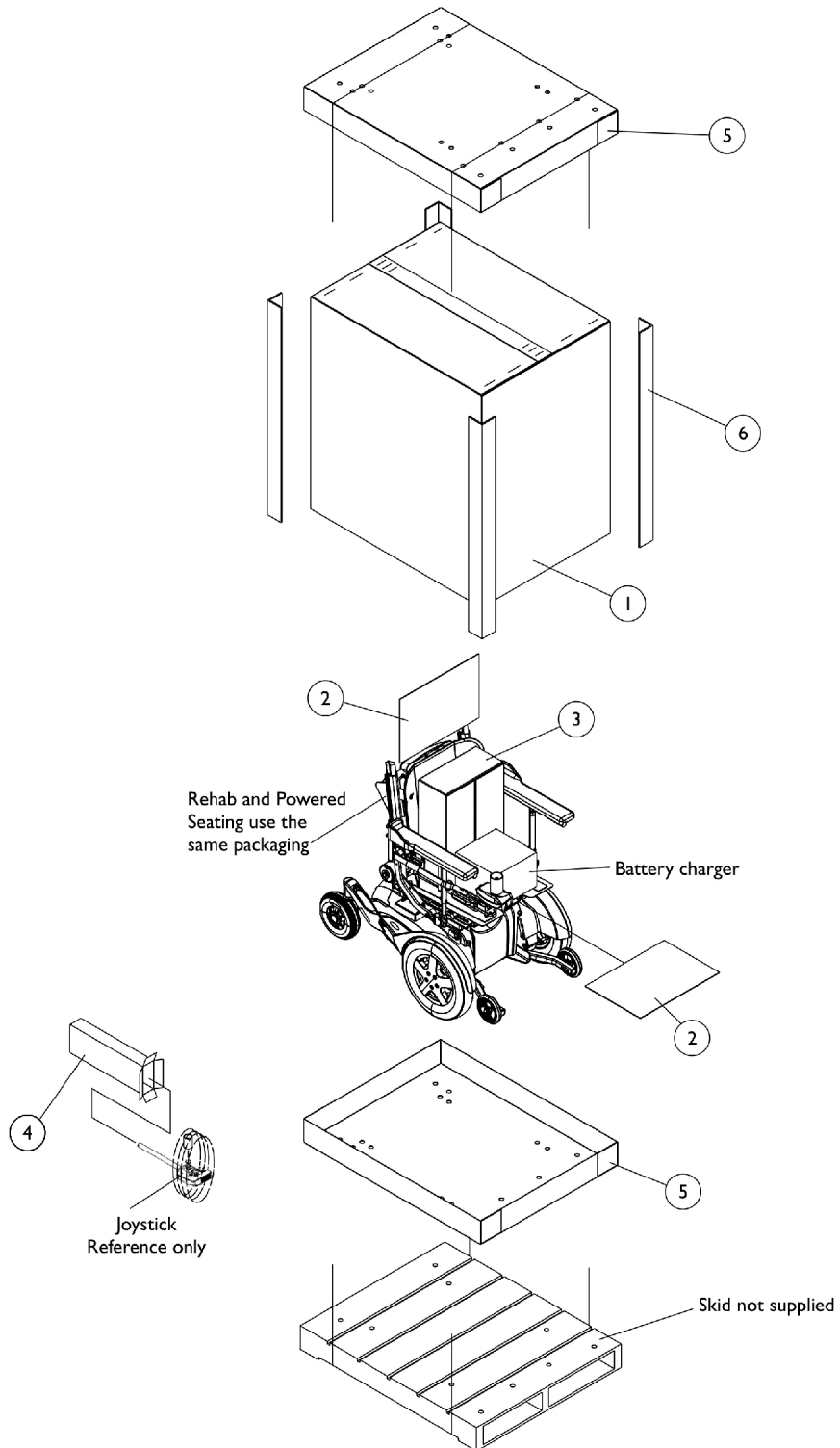


Packaging, Literature and Decals



Packaging, Literature and Decals

Item Number	Note	Part Number	Description	Quantity Per	
				Package	Assembly
1	A	1030365	Carton, Cover	1	1
1	B	1030364	Carton, Cover	1	1
1	C	1031682	Carton, Cover	1	1
1	D	1036028	Carton, Cover	1	1
2		40131X161	Insert, Plain Pad	1	2
3		40131X011-NLA	NLA - Carton, Front Riggings	1	1
4	J	1012001-NLA	NLA - Carton, Joystick	1	1
5	E	1030362	Carton, Tray	1	2
5	F	1036027	Carton, Tray	1	2
6	E	1115174	Carton, Corner Reinforcement	1	4
6	C	1129589-NLA	Carton, Corner Reinforcement	1	4
6	F	1129590-NLA	Carton, Corner Reinforcement	1	4
	G,I	1163181-NLA	NLA - Owner's Manual, FDX Base	1	1
	G	1143192-NLA	NLA - Owner's Manual, ADJASBA Seat with MK6i Electronics	1	1
	G	1167400-NLA	NLA - Decal, FDX Model, Swing Arm	1	2
	G	1168380-NLA	NLA - Decal, Invacare Logo, Fender - Right	1	1
	G	1168381-NLA	NLA - Decal, Invacare Logo, Fender - Left	1	1
	G	1104802	Decal, Push/Drive	1	2
	G,H	1083199-NLA	NLA - Label, Hook Tie-Down	1	4
	G	1079203	Decal, Warning Pinch Point	1	2
	G	1119281-NLA	NLA - Plate, Name, Patent Numbers	1	1
	G	1035900	Decal, Transportation	1	1

NOTE: A - Base only and all ADJASBA seat only models
 B - 12" Wide - 20" Wide ADJASBA seat with base models
 C - 16" Wide - 20" Wide ADJASBA seat with base models with medium and tall seat-to-floor heights
 D - 21" Wide - 22" Wide ADJASBA seat with base models
 E - 12" Wide - 20" Wide ADJASBA seat with base and base only models
 F - 21" Wide - 22" Wide ADJASBA seat with base models
 G - Not Shown
 H - For TRRO/TRBKTS wheelchairs only
 I - Item is no longer available from the Invacare Service Department. Refer to the Invacare Website under "Product Literature Search". Enter the part number in the "Keywords" field and download a free PDF copy.
 J - Order item #3 part #40131X011 to use as a replacement Joystick Carton also.

When adjusting or replacing parts, please refer to your Owner's Manual for assistance.