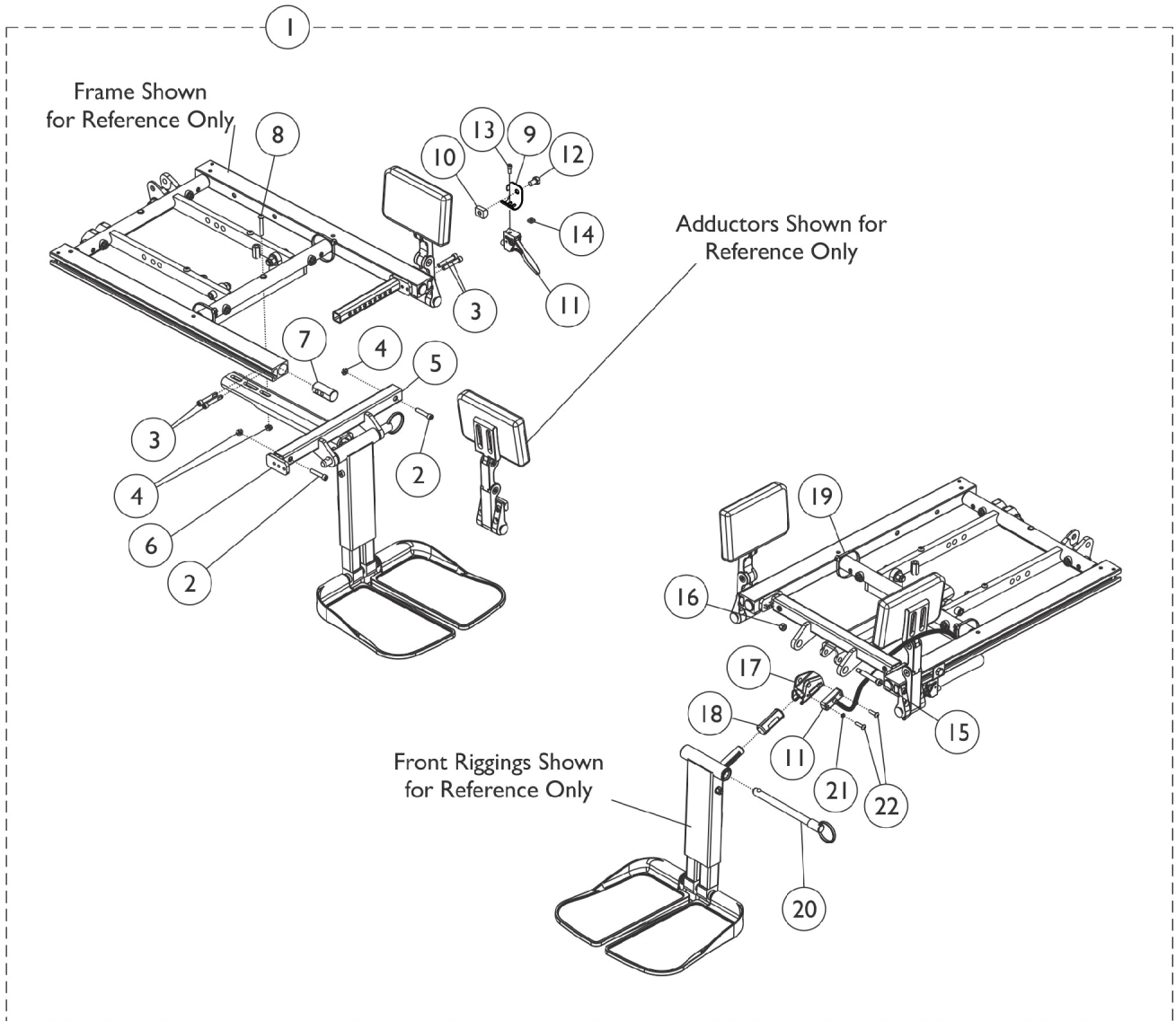


Adductor Mounting Hardware - CTMT-F/CTMT-FJ - Long



Adductor Mounting Hardware - CTMT-F/CTMT-FJ - Long

| Item Number | Note | Part Number | Description | Quantity Per | |
|-------------|------|-------------|--|--------------|----------|
| | | | | Package | Assembly |
| 1 | A | 1162442-NLA | NLA - Kit, Adductor Mounting Hardware, Center Mount Front - Long | 1 | 1 |
| 2 | | | Screw, Socket Head (1/4-20 x 1-1/4") | 1 | 2 |
| 3 | | | Screw, Socket Head Cap w/ Patch (1/4-20 x 1-1/2") | 1 | 4 |
| 4 | | | Locknut (1/4-20) | 1 | 3 |
| 5 | | | Support, Center Mount Rigging, Black (19"-22" D) | 1 | 1 |
| 6 | | | Support, Seat Pan (16-24" Wide) | 1 | 2 |
| 7 | | | Plug, Support | 1 | 2 |
| 8 | | | Screw, Socket Button Head (1/4-20 x 1-1/2") | 1 | 1 |
| 9 | | | Bracket, Release Handle Mounting, Black | 1 | 1 |
| 10 | | | T-Nut (5/16-18) | 1 | 1 |
| 11 | | | NLA - Screw, Hex Head w/ Patch (5/16-18 x 1/2") | 1 | 1 |
| 12 | | | Cable/Brake Assembly | 1 | 1 |
| 13 | | | NLA - Screw, Socket Head (#10-32 x 1/2") | 1 | 1 |
| 14 | | | Nut, Square (#10-32) | 1 | 1 |
| 15 | | | Screw, Shoulder Hex Socket Head (5/16" x 1-5/8", 1/4-20) | 1 | 1 |
| 16 | | | Locknut (1/4-20) | 1 | 1 |
| 17 | | | Housing, Ratchet | 1 | 1 |
| 18 | | | Bearing, Glide | 1 | 2 |
| 19 | | | Tie Wrap (11-1/2" L) | 1 | 2 |
| 20 | | | NLA - Pin, Quick Release (5" Long) | 1 | 1 |
| 21 | | | NLA - Washer, Lock (3/16 x 5/16 x 1/32") | 1 | 2 |
| 22 | | | Screw, Phillips Pan Head (#10-32 x 11/16") | 1 | 2 |
| 12 | | 1121079 | Cable/Brake Assembly w/ Ratchet Housing and Glide Bearing | 1 | 1 |

NOTE: A - Includes items 2-22.