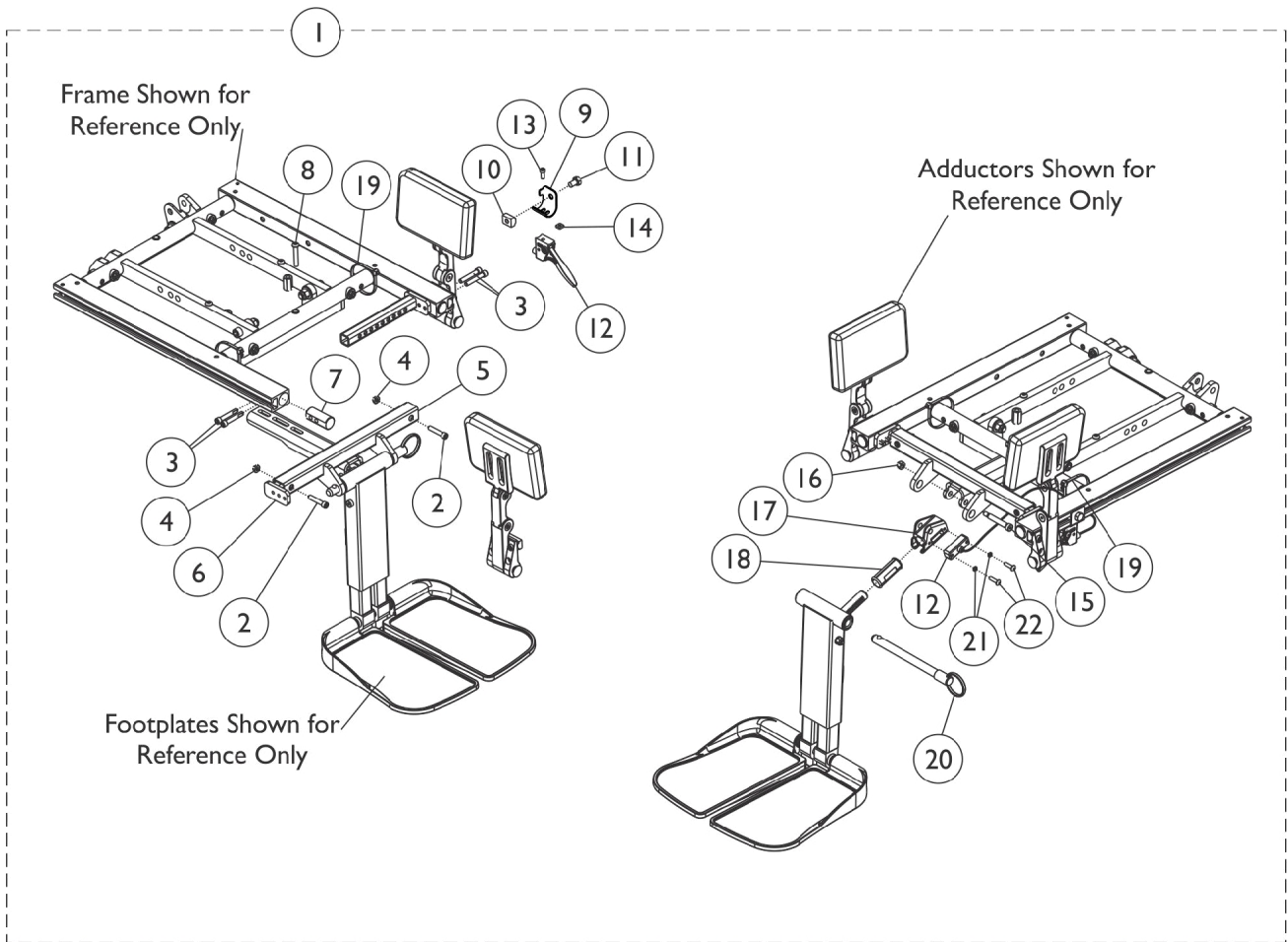


Adductor Mounting Hardware - CTMT-F/CTMT-FJ



Adductor Mounting Hardware - CTMT-F/CTMT-FJ

Item Number	Note	Part Number	Description	Quantity Per	
				Package	Assembly
1	A	1162441-NLA	NLA - Kit, Adductor Mounting Hardware, Center Mount, Formula TRE	1	1
2			Screw, Socket Head (1/4-20 x 1-1/4")	1	2
3			Screw, Socket Head Cap w/ Patch (1/4-20 x 1-1/2")	1	4
4			Locknut (1/4-20)	1	3
5			Support, Footrest, Center Mount Rigging, Black (16"-19" D)	1	1
6			Support, Seat Pan (16-24" Wide)	1	2
7			Plug, Support	1	2
8			Screw, Socket Button Head (1/4-20 x 1-1/2")	1	1
9			Bracket, Release Handle Mounting, Black	1	1
10			T-Nut (5/16-18)	1	1
11			NLA - Screw, Hex Head w/ Patch (5/16-18 x 1/2")	1	1
12			Cable/Brake Assembly	1	1
13			NLA - Screw, Socket Head (#10-32 x 1/2")	1	1
14			Nut, Square (#10-32)	1	1
15			Screw, Shoulder Hex Socket Head (5/16" x 1-5/8", 1/4-20)	1	1
16			Locknut (1/4-20)	1	1
17			Housing, Ratchet	1	1
18			Bearing, Glide	1	2
19			Tie Wrap (11-1/2" L)	1	2
20			NLA - Pin, Quick Release (5" Long)	1	1
21			NLA - Washer, Lock (3/16 x 5/16 x 1/32")	1	2
22			Screw, Phillips Pan Head (#10-32 x 11/16")	1	2
12		1121079	Cable/Brake Assembly w/ Ratchet Housing and Glide Bearing	1	1

NOTE: A - Includes items 2-22.