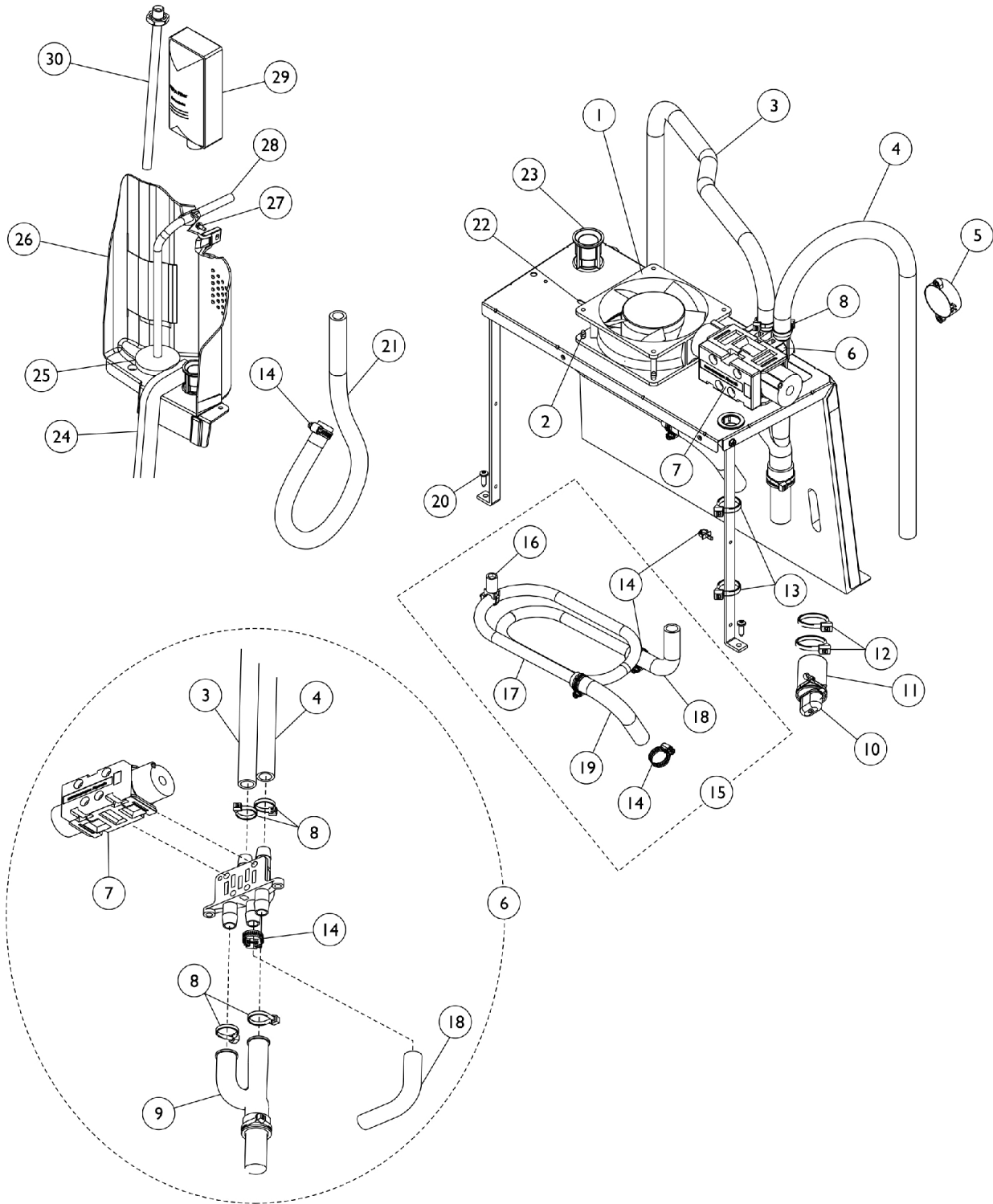


Sound Box Assembly

Platinum 10



Sound Box Assembly

Platinum 10

Item Number	Note	Part Number	Description	Quantity Per	
				Package	Assembly
1		2000817	Fan, Exhaust	1	1
2		1110852	Screw, Slotted Hex Washer Head (#10-24 x 1/2")	1	4
3		1108783	Tubing, Braided (1/2 x 23")	1	1
4		1108784	Tubing, Braided (1/2 x 20-1/4")	1	1
5		2001765	Harness, Horn/Alarm	1	1
6	B,C	1130671	Manifold/Valve Assembly - 10 Liter	1	1
	H	2003052	Valve, Operator Pilot	1	1
		1085112	O-Ring, Pilot Valve (35/64" I.D.)	1	1
7		1101141	Kit, 4-Way Valve w/ Screws	1	1
	D	1101141R	Valve, Reconditioned	1	1
	D	1101141E-NLA	Kit, Valve - Warranty Replacement	1	1
			Valve, Reconditioned	1	1
			Gasket	1	1
			Screw, Socket Head (M5 x .8 x 2mm)	1	4
8		2001682	Tie Wrap (8" L)	1	5
9		1130670	Muffler/Y-Tube Assembly	1	1
10	E	P0875X560-NLA	NLA - Boot, Terminal	1	1
11		1128740	Capacitor, 30 MFD	1	1
12		1089455	Tie Wrap (15-1/4" L)	1	2
13		1006525	Tie Wrap (3-29/32" L)	1	3
14		P0876X026	Clamp, Hose	1	2
15	A	1108817	Heat Exchanger Assembly	1	1
16		1110780-NLA	NLA - Stand-Off, Heat Exchanger	1	1
17	G	1107422-NLA	NLA - Exchanger, Heat	1	1
18		1108822	Elbow, PVC Formed (1/2 x 2-1/2 x 2-1/2")	1	1
19	G	1106698-NLA	NLA - Elbow, Silicon (1/2 x 3-1/2")	1	1
20		1108810	Screw, Hi-Lo Six Lobe Drive (#10-16 x 5/8")	1	7
21		1112561	Tube, Compressor	1	1
22		1003363-NLA	NLA - Screw, Phillips Pan Head (#8-32 x 3/8")	1	1
23		1106675	Coupling, Inlet Filter	1	1
24		2000812	Seal, Foam	1	2
25	F	P0750X030	Filter, Patient HEPA Outlet	1	1
26		1115183	Partition Assembly	1	1
27		2003065-NLA	NLA - Screw, Phillips Hex Washer Head (#8-32 x 3/8")	1	1
27		1128404	Screw, Phillips Hex Washer Head (#8-32 x 3/8")	1	1
28		1108815-NLA	NLA - Tubing, Silicon (1/4 x 16-1/4")	1	1
29		1131249	Filter, Inlet Sound Reduced	1	1
30		2000799	Adapter with Tubing for Humidifier Bottle	1	1

NOTE: A - Includes Heat Exchanger, Clamp, Elbow, Standoff and Tie Wrap.
 B - Includes Items 3, 4, 7-9, 14, 18, Manifold and Tie Wraps.
 C - Includes O-Ring and Operator Pilot Valve effective 6/4/05.
 D - Not Shown.
 E - Boot removed from units after 6/28/07.
 F - After 7/19/06 the Hepa Filter was moved to the inside of cabinet, located between the Flow Meter and the Patient Outlet Barb. See "Control Panel and P.C. 10 Liter Models" category to view reflective changes.
 G - Item no longer available, use Item 11 (1108817) as its replacement.
 H - A new Pilot Valve O-Ring part #1085112 is recommended when ordering a new Operator Pilot Valve