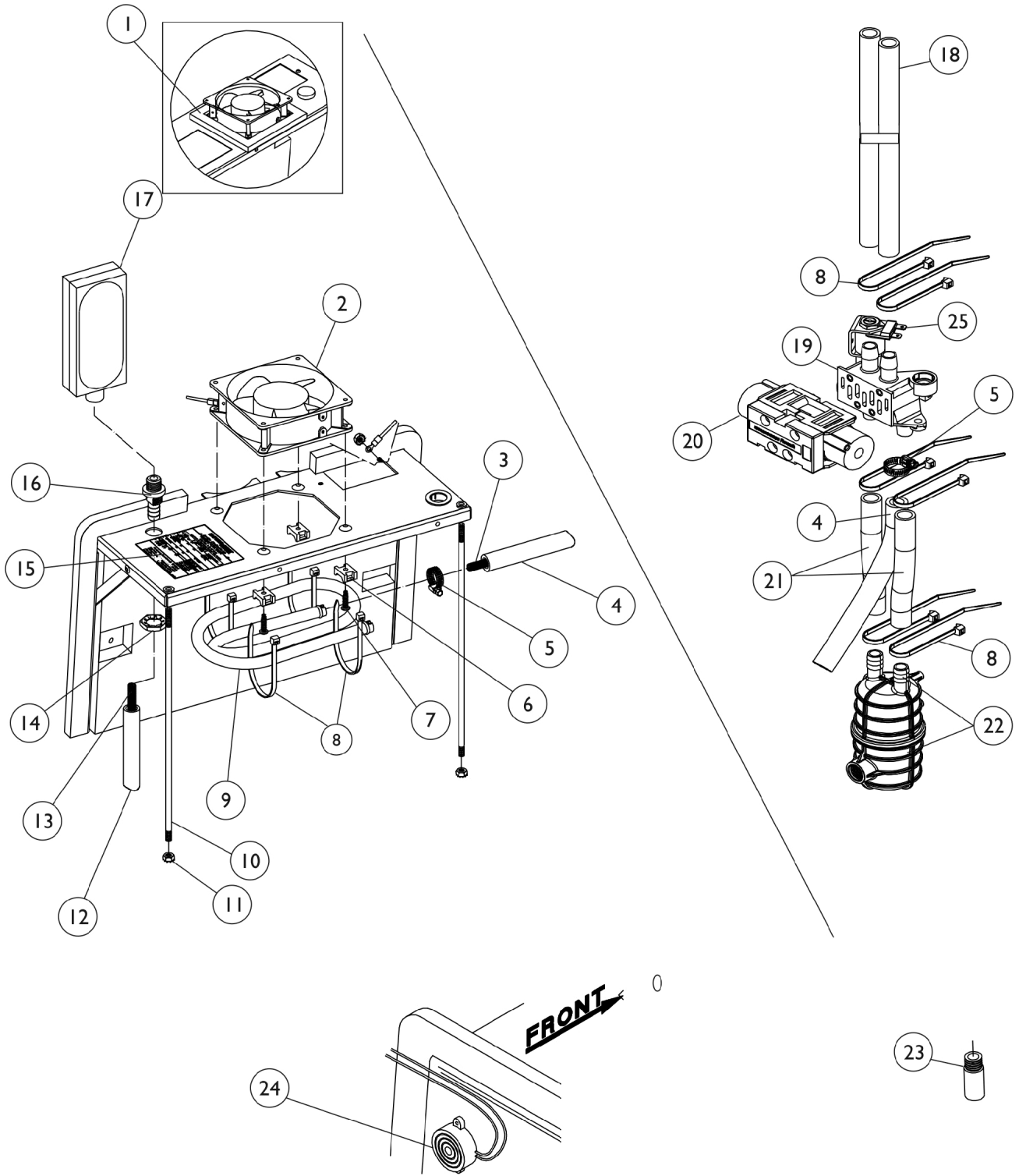


# Sound Box Assembly

All Models Except Platinum 5



## Sound Box Assembly

### All Models Except Platinum 5

Item Number	Note	Part Number	Description	Quantity Per	
				Package	Assembly
1		1073613-NLA	NLA - Gasket, Foam	1	1
2		2001361	Kit, Exhaust Fan Service	1	1
			Fan, Exhaust	1	1
			NLA - Mount, Cable Tie	1	4
			Tie Wrap (3-29/32" L)	1	1
			NLA - Screw, Phillips Hex Washer Head (#7-19 x 3/8")	1	1
			NLA - Screw, Phillips Pan Head (10-24 x 3/4")	1	4
			Tie Wrap (15-1/4" L)	1	1
			Tie Wrap (8" L)	1	4
			NLA - Instruction Sheet	1	1
3		2000765-NLA	NLA - Spring, Extension (7/16 x 7-1/2" L)	1	1
4		2001375	Hose, Reinforced Silicon (1/2 x 8-1/2")	1	1
5		P0876X026	Clamp, Hose	1	2
6		2000755-NLA	NLA - Mount, Cable Tie	1	4
7		1076750-NLA	NLA - Screw, Phillips Pan Head (10-24 x 3/4")	1	4
8		2001682	Tie Wrap (8" L)	1	10
9	K	1085014-NLA	NLA - Exchanger, Heat	1	1
9		2000884-NLA	NLA - Kit, Heat Exchanger	1	1
9			NLA - Exchanger, Heat	1	1
5			Clamp, Hose	1	2
8			Tie Wrap (8" L)	1	4
10		2000411-NLA	NLA - Rod, Support	1	2
11		P0870X050-NLA	NLA - Nut, Keps (#6-32)	1	1
12		1088281-NLA	NLA - Tubing, Silicon (1/2 x 5")	1	1
13		2001194-NLA	Spring, Compression (17-1/4")	1	1
14		P0875X720	NLA - Nut (3/4-16)	1	1
15		2002997-NLA	NLA - Label, Diagnostic - IRC5LX02	1	1
16		2001096-NLA	NLA - Fitting, Bulk Head (1/2")	1	1
17	J	1108078-NLA	NLA - Filter, Inlet	1	1
17		1131249	Filter, Inlet Sound Reduced	1	1
18		2002264	Tubing, Reinforced Braided (1/2 x 26")	1	2
19	A,C	1105552	Kit, 4 Way Valve/Manifold Service	1	1
			NLA - Manifold Assembly	1	1
			Kit, 4-Way Valve w/ Screws	1	1
			Hose, Reinforced Silicon (1/2 x 8-1/2")	1	1
			Tubing, Reinforced Braided (1/2x 4-1/8")	1	2
			Clamp, Hose	1	1
			Tubing, Reinforced Braided (1/2 x 26")	1	2
			Tie Wrap (8" L)	1	6
			Clamp, Plastic (1/2")	1	2
			Bushing, Step (1/2")	1	4
			Washer, Flat (#8)	1	2
			NLA - Screw, Phillips Pan Head (#8-32 x 3/4")	1	2
			NLA - Resistor Service Assembly	1	1
			Tie Wrap, Banded (3-29/32" L)	1	2

## Sound Box Assembly

### All Models Except Platinum 5

Item Number	Note	Part Number	Description	Quantity Per	
				Package	Assembly
			Instruction Sheet	1	1
20	D	1083005-NLA	NLA - Valve, 4-Way with Screen	1	1
20	D	1083005E-NLA	NLA - Valve, 4-Way with Screws (Reconditioned)	1	1
20	E	1101141	Kit, 4-Way Valve w/ Screws	1	1
	B	1101141R	Valve, Reconditioned	1	1
	B	1101141E-NLA	Kit, Valve - Warranty Replacement	1	1
			Valve, Reconditioned	1	1
			Gasket	1	1
			Screw, Socket Head (M5 x .8 x 2mm)	1	4
21		1095209	Tubing, Reinforced Braided (1/2x 4-1/8")	1	2
22	F	1095538-NLA	NLA - Kit, Muffler Retro-Fit	1	1
			NLA - Muffler Assembly	1	1
			NLA - Screw, Phillips Pan Head (#10-16 x 1/2")	1	2
			Screw, Socket Button Head (1/4-20 x 3/8")	1	1
			NLA - Bracket, Mounting	1	1
			Clip, Flange	1	1
			NLA - Instruction Sheet	1	1
22	G	1085872-NLA	NLA - Muffler Assembly	1	1
23		2001116	Uni-Muffler	1	1
24		2001765	Harness, Horn/Alarm	1	1
25	L	2003052	Valve, Operator Pilot	1	1
		1085112	O-Ring, Pilot Valve (35/64" I.D.)	1	1
	B	1080973-NLA	NLA - Kit, Pilot Valve Stem and Poppet Replacement	1	1
			NLA - Pilot Valve Poppet and Stem	1	1
			NLA - Instruction Sheet, Pilot Coil	1	1
	B,H	2003083	Kit, Pilot Valve Poppet Replacement	1	1
	B,I	2003082-NLA	NLA - Instruction Sheet, Pilot Valve Poppet Kit	1	1
	B	1080971-NLA	NLA - Kit, Pilot Coil Replacement	1	1
			NLA - Coil, Pilot	1	1
			NLA - Instruction Sheet, Pilot Coil	1	1
	B	2000830	Guard, Cooler	1	1

NOTE: A - Manifold #2002752, 4-Way Valve #1083005 and 4-Way Valve #1083005E are no longer available. Must order Manifold/Valve Service Kit (p/n 1105552). To be used on units built before 01/01.

B - Not Shown.

C - Includes items 4, 5, 8, 18, 20, 21 and Instruction Sheet.

D - Before 12/00.

E - After 11/00.

F - Before 7/00.

G - After 6/00.

H - Includes O-Ring, Labels, Slotted Poppets and Instruction Sheet.

I - See Tech Services for a copy of Instruction Sheet.

J - Item no longer available, refer to Part #1131249.

K - Part Number 1085014 is No Longer Available by itself. Refer to the Heat Exchanger Kit part number 2000884

L - A new Pilot Valve O-Ring part #1085112 is recommended when ordering a new Operator Pilot Valve