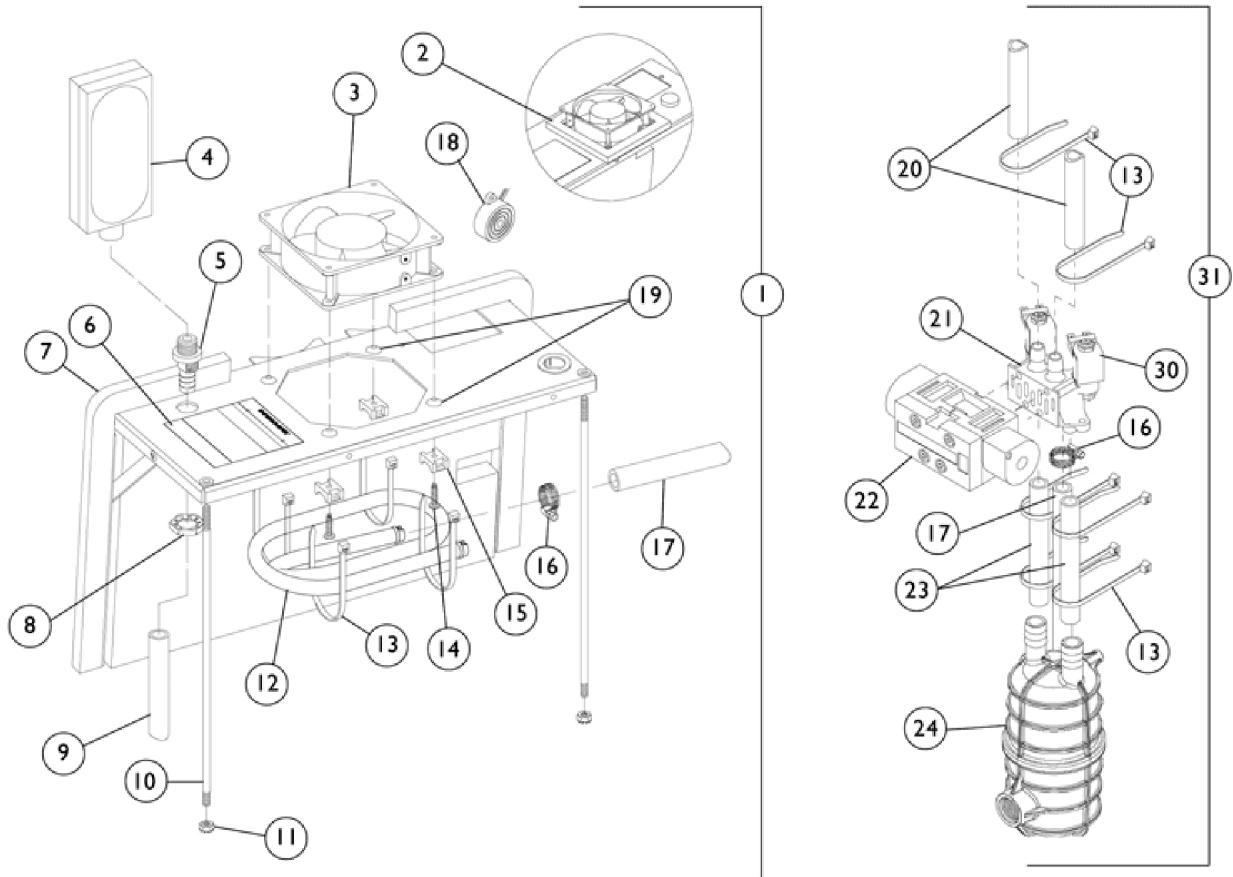
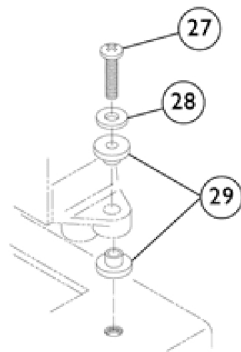


Sound Box Assembly

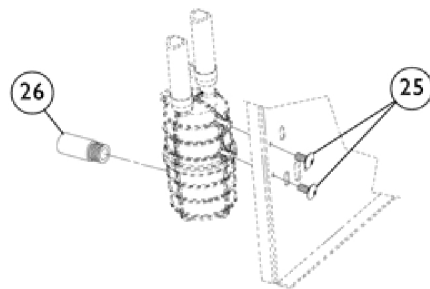
Non Platinum 5 Models



Valve, Manifold, and Muffler



Manifold Mounting Hardware



Muffler Mounting Hardware

Sound Box Assembly Non Platinum 5 Models

| Item Number | Note | Part Number | Description | Quantity Per | |
|-------------|------|---------------|---|--------------|----------|
| | | | | Package | Assembly |
| 1 | B | 1080182-NLA | NLA - Sound Box Top Assembly | 1 | 1 |
| 2 | | 1073613-NLA | NLA - Gasket, Foam | 1 | 1 |
| 3 | N | See Note | See Footnote | 1 | 1 |
| 4 | K | 1108078-NLA | NLA - Filter, Inlet | 1 | 1 |
| 4 | | 1131249 | Filter, Inlet Sound Reduced | 1 | 1 |
| 5 | | 2001096-NLA | NLA - Fitting, Bulk Head (1/2") | 1 | 1 |
| 6 | | 2002997-NLA | NLA - Label, Diagnostic - IRC5LX02 | 1 | 1 |
| 7 | | 2001802-NLA | NLA - Sound Box Top with Brackets | 1 | 1 |
| 8 | | P0875X720 | NLA - Nut (3/4-16) | 1 | 1 |
| 9 | C | 2000903-NLA | NLA - Tubing, Braided (1/2 X 24") | 1 | 1 |
| 9 | D | 1088281-NLA | NLA - Tubing, Silicon (1/2 x 5") | 1 | 1 |
| | A | 2001194-NLA | Spring, Compression (17-1/4") | 1 | 1 |
| 10 | C | 2000411-NLA | NLA - Rod, Support | 1 | 2 |
| 11 | | P0870X030-NLA | NLA - Nut, Keps (1/4-20) | 1 | 2 |
| 12 | L | 1085014-NLA | NLA - Exchanger, Heat | 1 | 1 |
| 12 | | 2000884-NLA | NLA - Kit, Heat Exchanger | 1 | 1 |
| 12 | | | NLA - Exchanger, Heat | 1 | 1 |
| 13 | | | Tie Wrap (8" L) | 1 | 4 |
| 16 | | | Clamp, Hose | 1 | 2 |
| 13 | | 2001682 | Tie Wrap (8" L) | 1 | 10 |
| 14 | | 1076750-NLA | NLA - Screw, Phillips Pan Head (10-24 x 3/4") | 1 | 4 |
| 15 | | 2000755-NLA | NLA - Mount, Cable Tie | 1 | 4 |
| 16 | | P0876X026 | Clamp, Hose | 1 | 1 |
| 17 | | 2001375 | Hose, Reinforced Silicon (1/2 x 8-1/2") | 1 | 1 |
| | A | 2000765-NLA | NLA - Spring, Extension (7/16 x 7-1/2" L) | 1 | 1 |
| 18 | | 2001765 | Harness, Horn/Alarm | 1 | 1 |
| 19 | E | 2000834 | Grommet | 1 | 4 |
| 20 | | 2002264 | Tubing, Reinforced Braided (1/2 x 26") | 1 | 2 |
| 21 | | 1105552 | Kit, 4 Way Valve/Manifold Service | 1 | 1 |
| | | | NLA - Manifold Assembly | 1 | 1 |
| | | | Kit, 4-Way Valve w/ Screws | 1 | 1 |
| | | | Hose, Reinforced Silicon (1/2 x 8-1/2") | 1 | 1 |
| | | | Tubing, Reinforced Braided (1/2x 4-1/8") | 1 | 2 |
| | | | Clamp, Hose | 1 | 1 |
| | | | Tubing, Reinforced Braided (1/2 x 26") | 1 | 2 |
| | | | Tie Wrap (8" L) | 1 | 6 |
| | | | Clamp, Plastic (1/2") | 1 | 2 |
| | | | Bushing, Step (1/2") | 1 | 4 |
| | | | Washer, Flat (#8) | 1 | 2 |
| | | | NLA - Screw, Phillips Pan Head (#8-32 x 3/4") | 1 | 2 |
| | | | NLA - Resistor Service Assembly | 1 | 1 |
| | | | Tie Wrap, Banded (3-29/32" L) | 1 | 2 |
| | | | Instruction Sheet | 1 | 1 |
| 22 | | 1083005-NLA | NLA - Valve, 4-Way with Screen | 1 | 1 |
| 23 | C | 2002265-NLA | NLA - Tubing, Reinforced Braided (1/2 x 5-1/4") | 1 | 2 |
| 23 | D | 1095209 | Tubing, Reinforced Braided (1/2x 4-1/8") | 1 | 2 |

Sound Box Assembly Non Platinum 5 Models

| Item Number | Note | Part Number | Description | Quantity Per | |
|-------------------------------------|------|-------------|--|--------------|----------|
| | | | | Package | Assembly |
| 24 | D,H | 1095538-NLA | NLA - Kit, Muffler Retro-Fit | 1 | 1 |
| | | | NLA - Muffler Assembly | 1 | 1 |
| | | | NLA - Screw, Phillips Pan Head (#10-16 x 1/2") | 1 | 2 |
| | | | Screw, Socket Button Head (1/4-20 x 3/8") | 1 | 1 |
| | | | NLA - Bracket, Mounting | 1 | 1 |
| | | | Clip, Flange | 1 | 1 |
| | | | NLA - Instruction Sheet | 1 | 1 |
| 25 | C | 1085696 | NLA - Screw, Phillips Truss Head (1/4-20 x 1/2") | 1 | 1 |
| 25 | D | 1087225-NLA | NLA - Screw, Phillips Pan Head (#10-16 x 1/2") | 1 | 2 |
| 26 | | 2001116 | Uni-Muffler | 1 | 1 |
| 27 | | 1090138-NLA | NLA - Screw, Phillips Pan Head (#8-32 x 3/4") | 1 | 2 |
| 28 | | P0870X490 | Washer, Flat (#8) | 1 | 2 |
| 29 | | 2001815 | Bushing, Step (1/2") | 1 | 4 |
| 30 | M | 2003052 | Valve, Operator Pilot | 1 | 1 |
| | | 1085112 | O-Ring, Pilot Valve (35/64" I.D.) | 1 | 1 |
| | | 1080971-NLA | NLA - Kit, Pilot Coil Replacement | 1 | 1 |
| NLA - Coil, Pilot | 1 | | 1 | | |
| NLA - Instruction Sheet, Pilot Coil | 1 | | 1 | | |
| | A,J | 1080973-NLA | NLA - Kit, Pilot Valve Stem and Poppet Replacement | 1 | 1 |
| | | | NLA - Pilot Valve Poppet and Stem | 1 | 1 |
| | | | NLA - Instruction Sheet, Pilot Coil | 1 | 1 |
| 31 | F,G | 2001803-NLA | NLA - Valve Sub-Assembly | 1 | 1 |

NOTE: A - Not Shown.
B - Includes Items 2-19.
C - Before 4/10/00.
D - After 4/9/00.
E - After 7/31/00.
F - Includes 13, 16-17, 20-24 and 30.
G - When ordering Valve Sub-Assembly for units built before 4/10/00, it is required the Muffler Retro Kit (#1095538) be ordered as well.
H - Includes Muffler and Mounting.
I - Includes Pilot Coil and Instruction Sheet.
J - Includes Pilot Valve Poppet and Instruction Sheet.
K - Item no longer available, refer to Part #1131249.
L - Part Number 1085014 is No Longer Available by itself. Refer to the Heat Exchanger Kit part number 2000884
M - A new Pilot Valve O-Ring part #1085112 is recommended when ordering a new Operator Pilot Valve
N - Part number is no longer serviceable in the field.