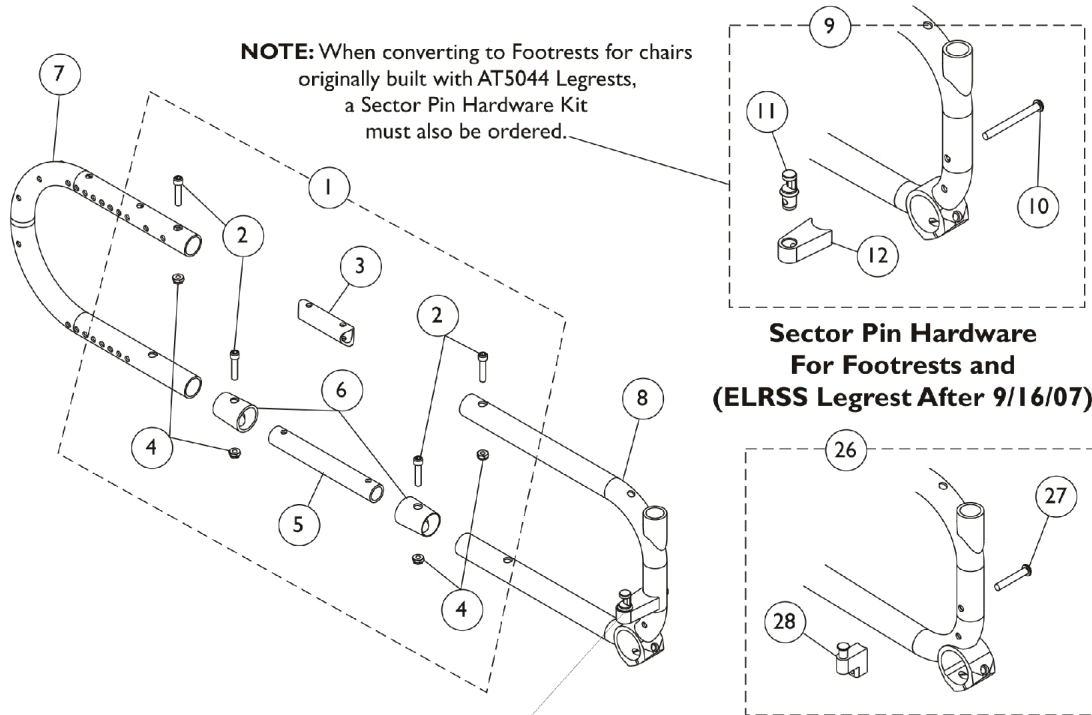


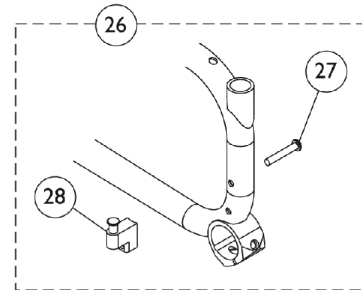
Frames and Frame Hardware - Swingaway Front

Transport Ready Chairs (TRRO) requiring Frames and/or Frame Hardware parts must be returned to Invacare for service.



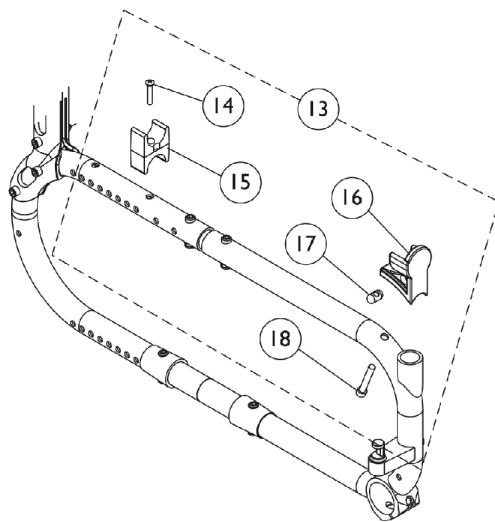
NOTE: When converting to Footrests for chairs originally built with AT5044 Legrests, a Sector Pin Hardware Kit must also be ordered.

**Sector Pin Hardware
For Footrests and
(ELRSS Legrest After 9/16/07)**

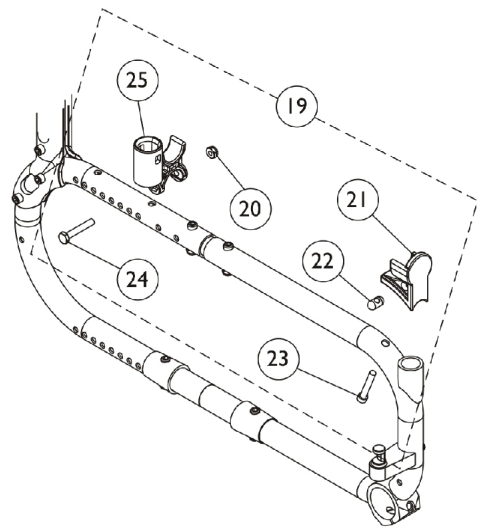


**Sector Pin Hardware
For AT5044 Legrests
Before 9/17/07**

Sector Pin (item 9 or 26) is not included with Front Frame



**Seat Guide Hardware for
Swingaway Padded Arms
and "T" Arms**



**Seat Guide Hardware for
Conventional Adjustable Height Arms**

Frames and Frame Hardware - Swingaway Front

Transport Ready Chairs (TRRO) requiring Frames and/or Frame Hardware parts must be returned to Invacare for service.

Item Number	Note	Part Number	Description	Quantity Per	
				Package	Assembly
1	A	1130541	Kit, Frame Hardware	1	1
2			Screw, Socket Head (1/4-28 x 1-1/4")	1	8
3			Tube, Upper Frame, Black	1	2
4			Locknut (1/4-28)	1	8
5			Tube, Lower Frame	1	2
6			Cap, End, Black Crossbrace	1	4
7	F	8881127987	Frame, Rear, Color	1	1
8	E,F,G	See Chart	#8 Front Frames - Non Heavy Duty Chairs	1	1
8	E,F,G	See Chart	#8 Front Frames - Heavy Duty Chairs	1	1
9	B	1130539	Kit, Sector Pin Hardware	1	1
10			Screw, Socket Button Head (1/4-20 x 2-1/2")	1	2
11			Pin, Sector	1	2
12			Bracket, Sector Block, Black	1	2
13	C	1130542	Kit, Seat Guide Hardware	1	1
14			NLA - Screw, Phillips Oval Head (#10-32 x 1")	1	2
15			Clamp, Seat	1	2
16			H-Block, Front - Right	1	1
16			H-Block, Front - Left	1	1
17			Pin, Threaded (3/8" x 3/4")	1	2
18			Screw, Socket Head (1/4-28 x 1-1/2")	1	2
13	I,K	1139449	Kit, Seat Guide Hardware	1	1
14			NLA - Screw, Phillips Oval Head (#10-32 x 1")	1	2
15			Clamp, Seat	1	2
16			H-Block, Front - Right	1	1
16			H-Block, Front - Left	1	1
18			Screw, Socket Button Head w/ Patch (1/4-20 x 3/4")	1	2
19	D	1130543	Kit, Seat Guide Hardware	1	1
20			Locknut (1/4-28)	1	2
21			H-Block, Front - Right	1	1
21			H-Block, Front - Left	1	1
22			Pin, Threaded (3/8" x 3/4")	1	2
23			Screw, Socket Head (1/4-28 x 1-1/2")	1	2
24			Screw, Hex Head (1/4-28 x 1-5/8")	1	2
25			Socket, Arm	1	2
19	J,L	1139450	Kit, Seat Guide Hardware	1	1
20			Locknut (1/4-28)	1	2
21			H-Block, Front - Right	1	1
21			H-Block, Front - Left	1	1
23			Screw, Socket Button Head w/ Patch (1/4-20 x 3/4")	1	2
24			Screw, Hex Head (1/4-28 x 1-5/8")	1	2
25			Socket, Arm	1	2
26	H	1137404	Kit, Sector Block Hardware	1	1
27			Screw, Socket Button Head (1/4-20 x 1-1/2")	1	2
28			Block, Sector - Right	1	1
28			Block, Sector - Left	1	1

Frames and Frame Hardware - Swingaway Front

Transport Ready Chairs (TRRO) requiring Frames and/or Frame Hardware parts must be returned to Invacare for service.

NOTE:	A - Includes items 2 thru 6.
	B - Chairs with Footrests, ELRSS Legrest, or when converting to Footrest for chairs originally built with AT5044 Legrests. Includes items 10-12.
	C - For Non Heavy Duty chairs with Swingaway Half Arms or "T" Arms. Includes items 14 thru 18.
	D - For Non Heavy Duty chairs with Conventional Adjustable Height Arms. Includes items 20 thru 25.
	E - Front Frames include the "X4" and Invacare logo decals. See Decal category for individual decal part nos.
	F - Specify frame finish when ordering.
	G - Sector Pin Hardware Kit (item 9 or 26) is not included with Front Frame
	H - Chairs with AT5044 Legrests only. Includes items 27 and 28.
	I - For Heavy Duty chairs with "T" Arms. Includes items 14-16, & 18.
	J - For Heavy Duty chairs with Conventional Adjustable Height Arms. Includes items 20, 21, 23-25.
	K - Item 17 (Pin) is not included in kit and is not required for heavy duty chairs.
	L - Item 22 (Pin) is not included in kit and is not required for heavy duty chairs.

#8 Front Frames - Non Heavy Duty Chairs

Includes Frame and "X4" and Invacare logo decals

14" Deep	15" Deep	16" Deep	17" Deep	18" Deep	19" Deep	20" Deep
8881133995	8881133996	8881133997	8881133998	8881133999	8881134000	8881134001

Specify frame finish when ordering.

#8 Front Frames - Heavy Duty chairs

Includes Frame and "X4" and Invacare logo decals

18" Deep	19" Deep	20" Deep	21" Deep	22" Deep
8881136665	8881136666	8881136667	8881136668	8881136669

Specify frame finish when ordering.