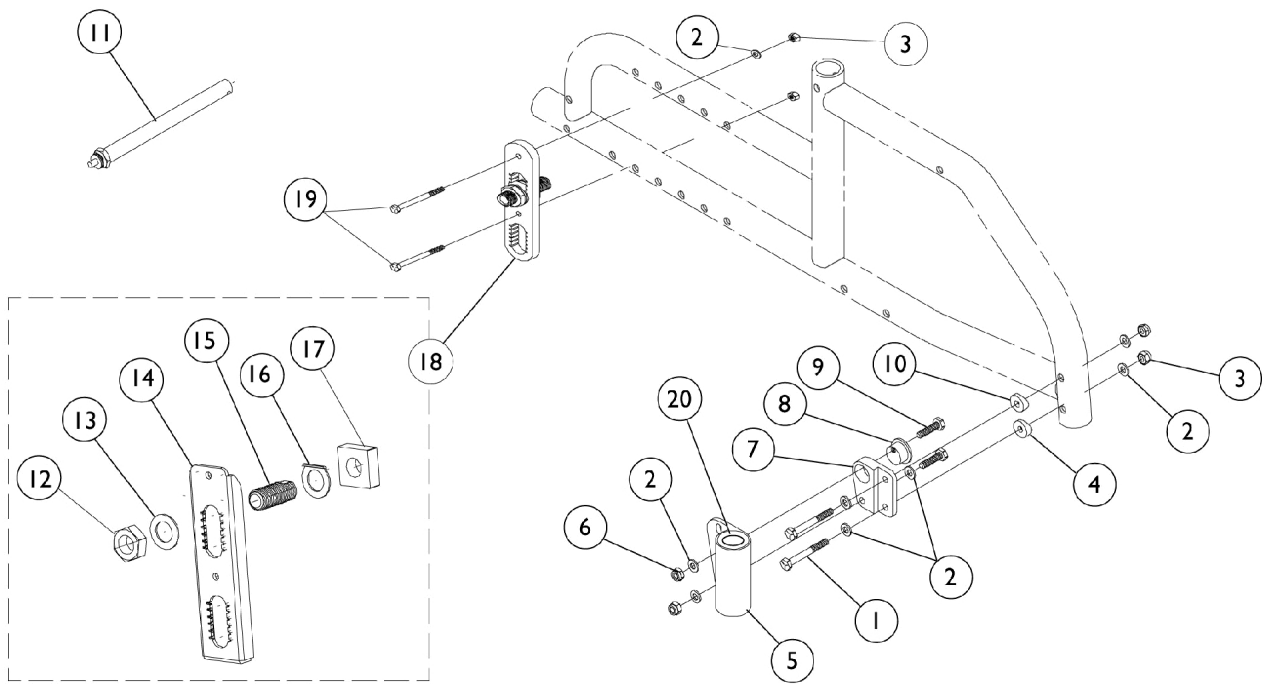


Headtube and Axle Mounting Plate - Attaching Hardware



Headtube and Axle Mounting Plate - Attaching Hardware

Item Number	Note	Part Number	Description	Quantity Per	
				Package	Assembly
1		1055347-NLA	NLA - Screw, Hex Head (1/4-28 x 1-1/2")	1	2
2		1026907	Washer (1/4 x 1/2 x 1/16")	1	8
3		1065362	Locknut (1/4-28)	1	4
4		1026099	Spacer, Coved (1/4 x 11/16 x 1/2")	1	1
5		1076369-NLA	NLA - Headtube, Caster, Black - Right	1	2
5		1076370-NLA	NLA - Headtube, Caster, Black - Left	1	2
6		1055366	Locknut (1/4-28)	1	2
7		1040773	Bracket, Headtube Adjustment, Black - Right	1	1
7		1040774	Bracket, Headtube Adjustment, Black - Left	1	1
8		1040766	Cam, Headtube Adjustment	1	1
9		1055296-NLA	NLA - Screw, Hex Head (1/4-28 x 1")	1	2
10		1009861	Spacer, Coved (1/4 x 11/16 x 1/2")	1	1
11		1026930-NLA	NLA - Axle, Quick Release (1/2 x 4-1/2")	1	1
12		1044945	Nut, Hex (3/4-16)	1	2
13		1025701	Washer, Steel (3/4 x 1-1/4 x 1/16")	1	1
14	A	1079983	Plate, Axle Mounting, Slotted	1	1
15		1026178	Bushing, Axle (2-1/2")	1	1
16		1062289-NLA	NLA - Washer, Axle Positioning	1	1
17		1079981-NLA	NLA - Nut, Square	1	1
18	B	1079982	Axle Mounting Plate Assembly	1	1
19		1055348	Screw, Hex Head (1/4-28 x 1-3/4")	1	2
20		40117X021	Bearing (1/2" I.D. x 1-1/8" O.D.)	1	2

NOTE: A - Includes items 2, 3, and 19.
B - Includes items 12 thru 17.