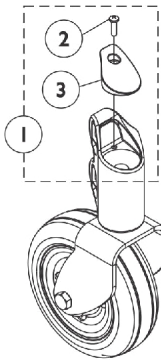
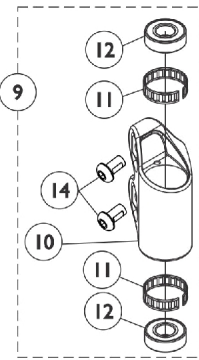
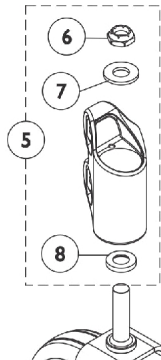


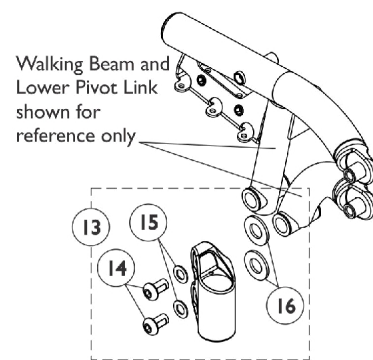
Caster, 6" Front and Rear



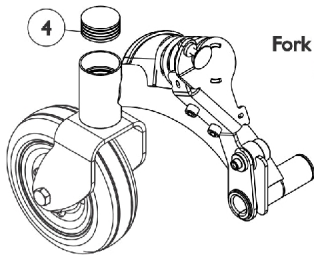
Front Head Tube Cap



Front Head Tube Assembly

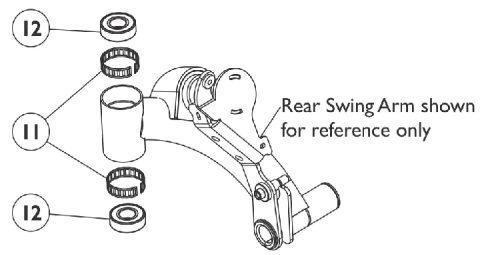


Front Caster Head Tube Mounting Hardware



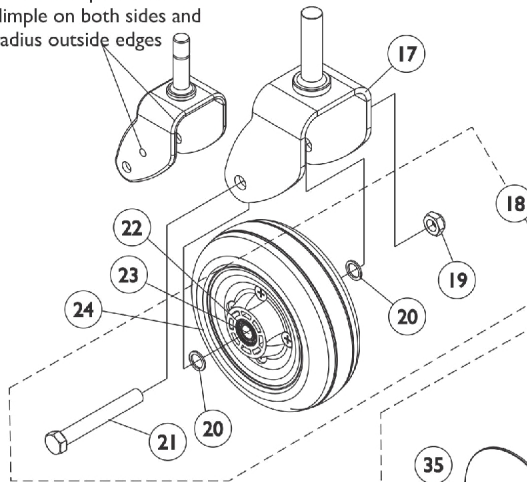
Rear Head Tube Cap

Fork Mounting Hardware Front and Rear

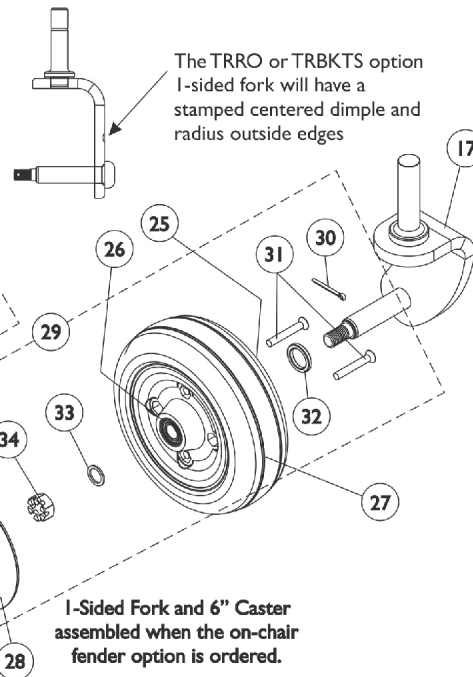


Rear Head Tube Bearings and Tolerance Rings

The TRRO or TRBKTS option 2-sided fork will have a stamped centered dimple on both sides and radius outside edges



2-Sided Fork and 6" Caster (Standard)



1-Sided Fork and 6" Caster assembled when the on-chair fender option is ordered.

The TRRO or TRBKTS option 1-sided fork will have a stamped centered dimple and radius outside edges

Caster, 6" Front and Rear

Item Number	Note	Part Number	Description	Quantity Per	
				Package	Assembly
1	A	1142342	Kit, Cap with Screw, Front Head Tube - Right	1	1
2			Screw, Phillips Pan Head (#10-32 x 11/16")	1	1
3			Cap, Front Head Tube, Black - Right	1	1
1	A	1142343	Kit, Cap with Screw, Front Head Tube - Left	1	1
2			Screw, Phillips Pan Head (#10-32 x 11/16")	1	1
3			Cap, Front Head Tube, Black - Left	1	1
4		1110709	Cap, Head Tube, Black	1	1
5	B	1110684	Kit, Fork Mounting Hardware	1	1
6			Locknut (5/8-18)	1	1
7			Washer, Nylon (5/8 x 1-5/16 x 1/8")	1	1
8			Spacer, Stem (5/8 x 1-1/8 x 3/16")	1	1
9	C	1142340	Kit, Front Head Tube Assembly - Right	1	1
10			Tube, Head - Right	1	1
11			Ring, Tolerance	1	2
12			Bearing (5/8")	1	2
14			Screw, Socket Button Head Cap w/ Patch (1/2-13 x 7/8")	1	2
9	C	1142341	Kit, Front Head Tube Assembly - Left	1	1
10			Tube, Head - Left	1	1
11			Ring, Tolerance	1	2
12			Bearing (5/8")	1	2
14			Screw, Socket Button Head Cap w/ Patch (1/2-13 x 7/8")	1	2
11		1110717	Ring, Tolerance	1	2
12		40117X006	Bearing (5/8")	1	2
13	D	1154107	Kit, Front Head Tube Mounting Hardware	1	1
14			Screw, Socket Button Head Cap w/ Patch (1/2-13 x 7/8")	1	2
15			Washer, Nylon (1/2 x 7/8 x 1/16")	1	2
16			Washer, Nylon (3/4 x 1-1/2 x 1/8")	1	2
17		1110683	Fork and Stem, 2-Sided - Right/Left	1	1
17	I	1141020	Fork and Stem, 2-Sided, TRRO/TRBKTS - Right/Left	1	1
17	E	1113123	Fork and Stem, 1-Sided - Right	1	1
17	E	1113124	Fork and Stem, 1-Sided - Left	1	1
17	E,H	1141005	Fork and Stem, 1-Sided, TRRO/TRBKTS - Right	1	1
17	E,H	1141006	Fork and Stem, 1-Sided, TRRO/TRBKTS - Left	1	1
18	F	1110708	Kit, Caster Mounting Hardware	1	1
19		1025734	Locknut (7/16-20)	1	1
20		1025724	Washer, Steel (15/32 x 5/8 x 3/64")	1	2
21		1025726	Screw, Hex Head (7/16-20 x 3-1/4")	1	1
22		1006049	Bearing (7/16")	1	2
23		1020592	Spacer, Bearing (7/16 x 5/8 x 1-3/4")	1	1
24	J	1115179	Wheel Assembly, Semi-Pneumatic, Urethane, Deep Profile, Grey Tire/Black Hub (6" x 2")	1	1
24	J	1122066	Wheel Assembly, Semi-Pneumatic, Urethane, Deep Profile, Grey Tire/Black Hub (6" x 2") (Pair)	2	1
25		40117X006	Bearing (5/8")	1	1

Caster, 6" Front and Rear

Item Number	Note	Part Number	Description	Quantity Per	
				Package	Assembly
26		1006049	Bearing (7/16")	1	1
27	K	1110715	Wheel Assembly, Semi-Pneumatic, Urethane, Deep Profile, Grey Tire/Black Hub (6" x 2")	1	1
27	K	1122067	Wheel Assembly, Semi-Pneumatic, Urethane, Deep Profile, Grey Tire/Black Hub (6" x 2") (Pair)	2	1
28		1105854	Cap, Hub, Black	1	1
29	G	1108561	Hardware, Caster	1	1
30		1105852	Pin, Cotter (7/64 x 1")	1	1
31		1115246	Screw, Phillips Flat Head (M6 x 1 x 45mm)	1	2
32		1108005	Spacer, Steel (5/8 x 7/8 x 1/8")	1	1
33		1025724	Washer, Steel (15/32 x 5/8 x 3/64")	1	1
34		1107168-NLA	NLA - Nut, Hex Slotted (7/16-20)	1	1
35		1107698	Locknut (M6 x 1)	1	2
<p>NOTE: A - Includes items 2 and 3 B - Includes items 6-8 C - Includes items 10-12 and 14 D - Includes items 14-16 E - When 1-sided forks are used, they are assembled in the front and rear of the power chair F - Includes items 19-21 G - Includes items 30-35 H - The TRRO or TRBKTS option 1-sided fork will have a stamped centered dimple and radius outside edges I - The TRRO or TRBKTS option 2-sided fork will have stamped centered dimple on both sides and radius outside edges J - Includes the Wheel Assembly plus items 22 and 23 also. Used only with the two sided forks. K - Includes the Wheel Assembly plus items 25 and 26 also. Used only with the one sided forks.</p>					