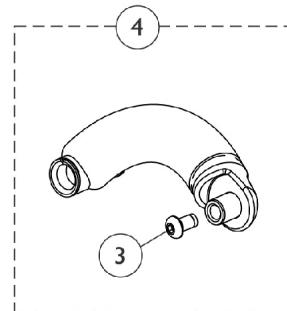
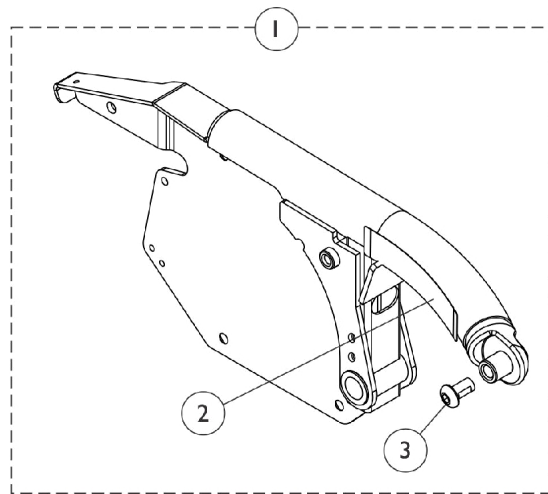
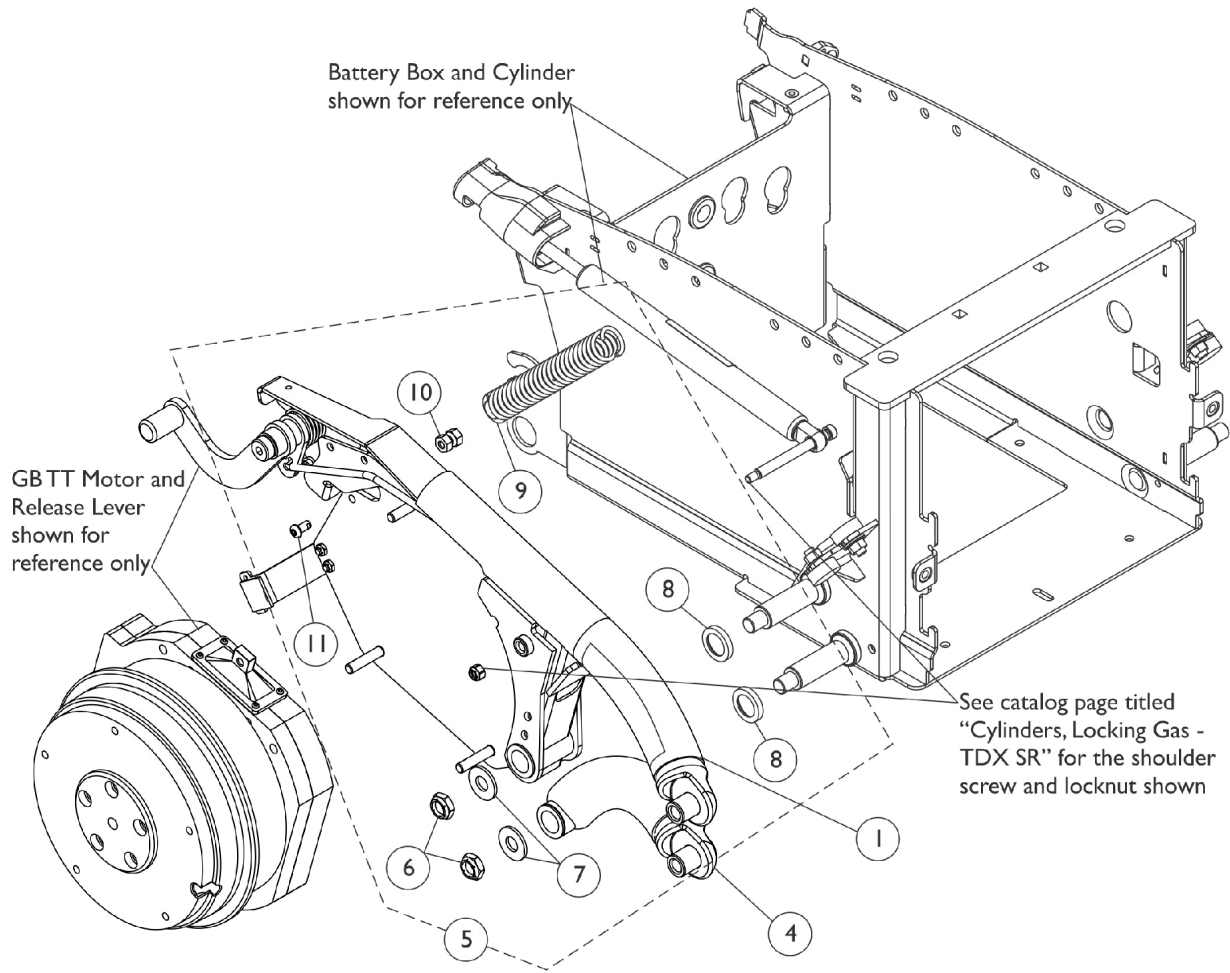


# Walking Beam, Lower Pivot Link and Mounting Hardware TDX SR



# Walking Beam, Lower Pivot Link and Mounting Hardware TDX SR

Item Number	Note	Part Number	Description	Quantity Per	
				Package	Assembly
1	A,C,F	8881149336	Kit, Walking Beam Assembly w/ Yellow Decal, SR, Color - Right	1	1
2			Decal, TDX SR, Yellow	1	1
3			Screw, Socket Button Head Cap w/ Patch (1/2-13 x 7/8")	1	1
1	A,C,F	8881149337	Kit, Walking Beam Assembly w/ Yellow Decal, SR, Color - Left	1	1
2			Decal, TDX SR, Yellow	1	1
3			Screw, Socket Button Head Cap w/ Patch (1/2-13 x 7/8")	1	1
1	B,C,F	8881149343-NL A	NLA - Kit, Walking Beam Assembly w/ Black Decal, SR, Color - Right	1	1
2			Decal, TDX SR, Black	1	1
3			Screw, Socket Button Head Cap w/ Patch (1/2-13 x 7/8")	1	1
1	B,C,F	8881149344-NL A	NLA - Kit, Walking Beam Assembly w/ Black Decal, SR, Color - Left	1	1
2			Decal, TDX SR, Black	1	1
3			Screw, Socket Button Head Cap w/ Patch (1/2-13 x 7/8")	1	1
2	A	1149347	Decal, TDX SR, Yellow	1	1
2	B	1149346	Decal, TDX SR, Black	1	1
4	C,E	8881153857-NL A	NLA - Kit, Link Assembly, Lower Pivot, Color - Right	1	1
3			Screw, Socket Button Head Cap w/ Patch (1/2-13 x 7/8")	1	1
4	C,E	8881153858-NL A	NLA - Kit, Link Assembly, Lower Pivot, Color - Left	1	1
3			Screw, Socket Button Head Cap w/ Patch (1/2-13 x 7/8")	1	1
5	D	1149342	Kit, Walking Beam and Lower Pivot Link Mounting Hardware TDX SR	1	1
6			Locknut (1/2-20)	1	2
7			Washer (1/2")	1	2
8			Spacer, Coved (3/4 x 1-1/8 x 1-1/32")	1	2
9			Spring, Extension (1 x 4-1/2" L)	1	1
10			Pin, Spring	1	1
11			Screw, Button Head w/ Patch (1/4-20 x 1/2")	1	1
<p>NOTE: A - The TDX SR yellow decal is used for all frame colors except 30P Sunny Yellow, 60P Silver Metallic and 71P Silver Vein            B - The TDX SR black decal is used for 30P Sunny Yellow, 60P Silver Metallic and 71P Silver Vein frame colors only            C - Specify frame color when ordering. See page titled "Frame Finishes, Touch-Up Paints and Upholstery Options".            D - Includes items 6-11            E - Includes the Lower Pivot Link Assembly for the TDX SR, 2 ea. press fitted metal Flange Bearings (not shown). The Flange Bearings are not sold separately. Item 3 also included.            F - Includes the Walking Beam Assembly, items 2 and 3.</p>					