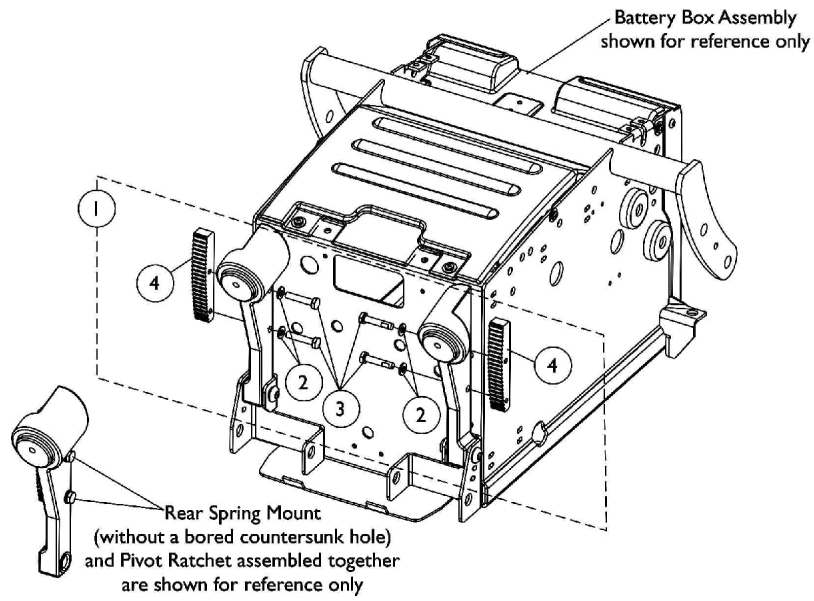
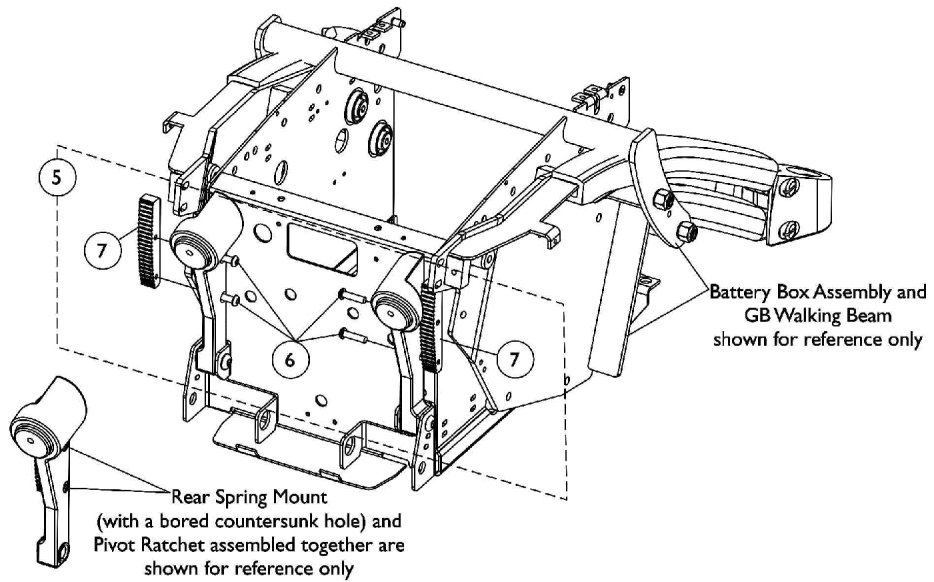


Pivot Ratchet Assembly



Pivot Ratchet Assembly Before 12/19/05



Pivot Ratchet Assembly After 12/18/05

Pivot Ratchet Assembly

Item Number	Note	Part Number	Description	Quantity Per	
				Package	Assembly
1	A,B	1120352-NLA	Kit, Pivot Ratchet with Hardware	2	1
2			Washer (1/4 x 1/2 x 1/16")	1	4
3			NLA - Screw, Hex Head w/ Patch (1/4-20 x 1-1/4")	1	4
4			Ratchet, Pivot (5/8" W)	1	2
5	C	1136021-NLA	Kit, Pivot Ratchet with Hardware	2	1
6			Screw, Socket Button Head (1/4-20 x 1")	1	4
7			Ratchet, Pivot (5/8" W)	1	2
6			1009837 Screw, Socket Button Head (1/4-20 x 1")	1	4
<p>NOTE: A - Includes items 2-4. Pivot Ratchet was revised 7/14/03 from 3/4" wide to 5/8" wide. For chairs manufactured before 7/14/03, Pivot Ratchets must be ordered in pairs. Order item 1 pair # 1120352 Pivot Ratchet with Hardware Kit</p> <p>B - Before 12/19/05. Pivot Ratchet with Hardware dated before 12/19/05 can only be used with Rear Spring Mounts that do not have a bored countersunk hole that mounts the Pivot Ratchet. Verify with customer</p> <p>C - 1136021 is NLA. To accommodate chairs manufactured after 12/18/05, order item #1 Pivot Ratchet w/ Hardware Kit and quantity of 4 each of item #6 1009837 Socket Button Head Screw. Item #6 is used with Rear Spring Mounts that have a bored countersunk hole.</p>					