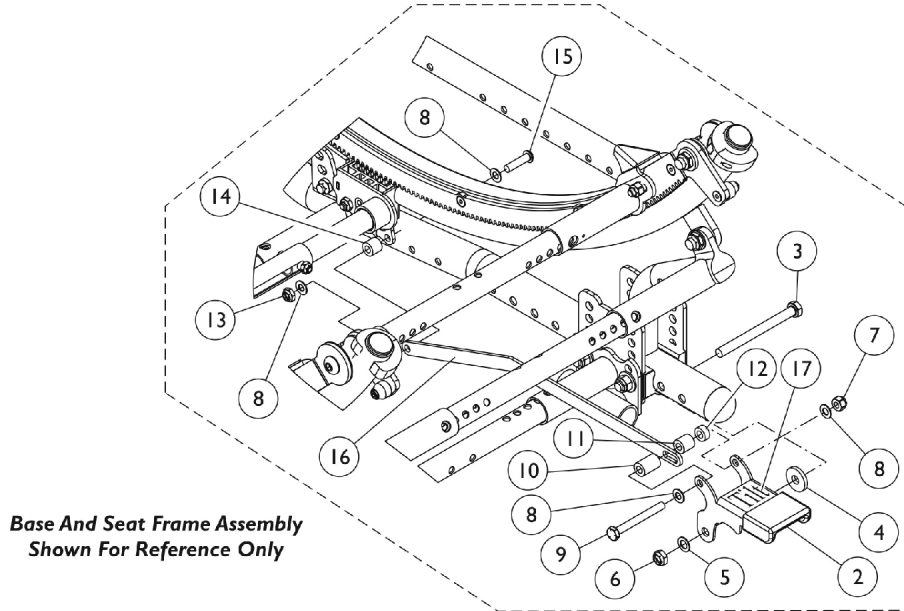


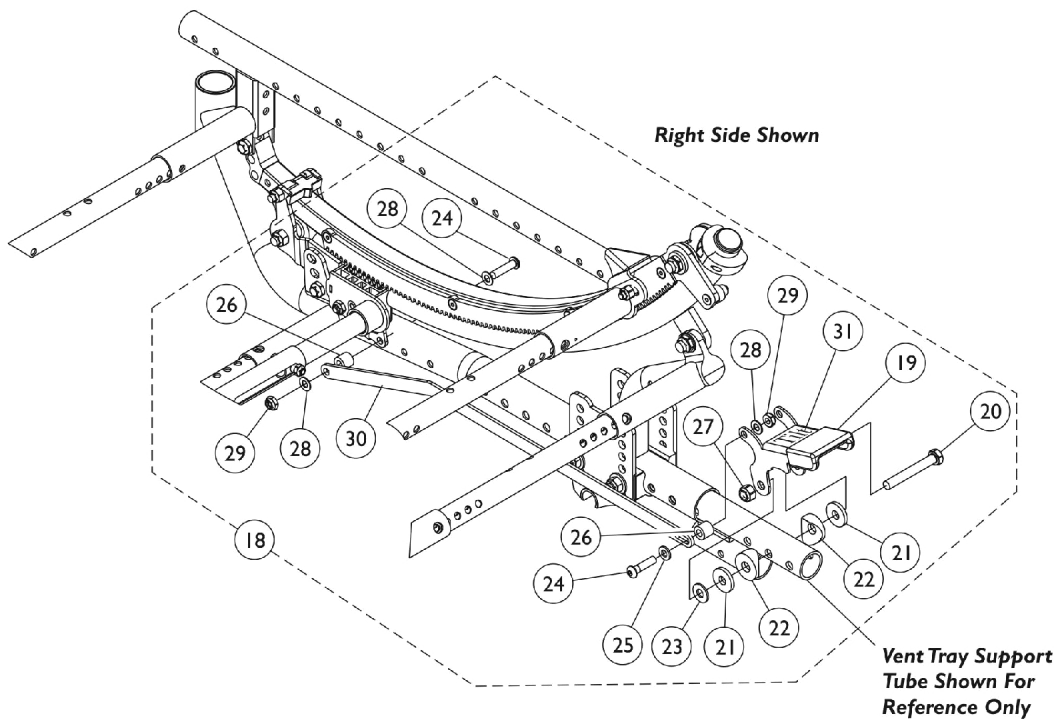
Tilt Hardware - Foot Pedal Tilt Release Assembly

Right and Left side hardware are the same. The assembly orientation creates the right or left side. If a chair is ordered as a Foot Release or a Hand Release, it CANNOT be retrofitted in the field to accept the other Tilting function. A new wheelchair must be ordered.

(Right side assembly shown below)



Foot Pedal Tilt Release Assembly w/o Vent Tray Option



Foot Pedal Tilt Release Assembly w/ Vent Tray Option

Tilt Hardware - Foot Pedal Tilt Release Assembly

Right and Left side hardware are the same. The assembly orientation creates the right or left side. If a chair is ordered as a Foot Release or a Hand Release, it CANNOT be retrofitted in the field to accept the other Tilting function. A new wheelchair must be ordered.

Item Number	Note	Part Number	Description	Quantity Per	
				Package	Assembly
1	A	1163912	Foot Pedal Tilt Release Assembly w/o Vent - Right	1	1
2			Pedal, Foot, Black	1	1
3			Screw, Hex Head (5/16-24 x 3-1/2")	1	1
4			Washer, Nylon (5/16 x 7/8 x 1/8")	1	1
5			Washer, Nylon (5/16 x 17/32 x 1/32")	1	1
6			Locknut (5/16-24)	1	1
7			Locknut (1/4-28)	1	1
8			Washer, Nylon (1/4 x 1/2 x 1/32")	1	4
9			Screw, Hex Head (1/4-28 x 2-1/4")	1	1
10			NLA - Spacer Nylon (17/64 x 1/2 x 3/4")	1	1
11			Spacer, Nylon (1/4 x 1/2 x 1/2")	1	1
12			NLA - Spacer	1	1
13			Locknut (1/4-28)	1	1
14			NLA - Spacer Nylon (17/64 x 1/2 x 7/16")	1	1
15			NLA - Screw, Allen Button Head (1/4-28 x 1")	1	1
16			Link, Connecting, Foot Tilt, Black	1	1
17			Decal, Pedal Tilt	1	1
1	A	1163913	Foot Pedal Tilt Release Assembly w/o Vent - Left	1	1
2			Pedal, Foot, Black	1	1
3			Screw, Hex Head (5/16-24 x 3-1/2")	1	1
4			Washer, Nylon (5/16 x 7/8 x 1/8")	1	1
5			Washer, Nylon (5/16 x 17/32 x 1/32")	1	1
6			Locknut (5/16-24)	1	1
7			Locknut (1/4-28)	1	1
8			Washer, Nylon (1/4 x 1/2 x 1/32")	1	4
9			Screw, Hex Head (1/4-28 x 2-1/4")	1	1
10			NLA - Spacer Nylon (17/64 x 1/2 x 3/4")	1	1
11			Spacer, Nylon (1/4 x 1/2 x 1/2")	1	1
12			NLA - Spacer	1	1
13			Locknut (1/4-28)	1	1
14			NLA - Spacer Nylon (17/64 x 1/2 x 7/16")	1	1
15			NLA - Screw, Allen Button Head (1/4-28 x 1")	1	1
16			Link, Connecting, Foot Tilt, Black	1	1
17			Decal, Pedal Tilt	1	1
18	B	1163914	Foot Pedal Tilt Release Assembly w/ Vent - Right	1	1
19			Pedal, Foot, Black	1	1
20			Screw, Hex Head (5/16-24 x 2-1/4")	1	1
21			Washer, Nylon (5/16 x 7/8 x 1/8")	1	2
22			NLA - Spacer, Coved (3/8 x 1 x 9/16")	1	2
23			Washer, Nylon (5/16 x 11/16 x 1/16")	1	1
24			NLA - Screw, Allen Button Head (1/4-28 x 1")	1	2
25			Washer, Nylon (1/4 x 1/2 x 1/16")	1	1
26			NLA - Spacer Nylon (17/64 x 1/2 x 7/16")	1	2
27			Locknut (5/16-24)	1	1

Tilt Hardware - Foot Pedal Tilt Release Assembly

Right and Left side hardware are the same. The assembly orientation creates the right or left side. If a chair is ordered as a Foot Release or a Hand Release, it CANNOT be retrofitted in the field to accept the other Tilting function. A new wheelchair must be ordered.

Item Number	Note	Part Number	Description	Quantity Per	
				Package	Assembly
28			Washer, Nylon (1/4 x 1/2 x 1/32")	1	3
29			Locknut (1/4-28)	1	2
30			Link, Connecting, Foot Tilt, Vent, Black	1	1
31			Decal, Pedal Tilt	1	1
18	B	1163915	Foot Pedal Tilt Release Assembly w/ Vent - Left	1	1
19			Pedal, Foot, Black	1	1
20			Screw, Hex Head (5/16-24 x 2-1/4")	1	1
21			Washer, Nylon (5/16 x 7/8 x 1/8")	1	2
22			NLA - Spacer, Coved (3/8 x 1 x 9/16")	1	2
23			Washer, Nylon (5/16 x 11/16 x 1/16")	1	1
24			NLA - Screw, Allen Button Head (1/4-28 x 1")	1	2
25			Washer, Nylon (1/4 x 1/2 x 1/16")	1	1
26			NLA - Spacer Nylon (17/64 x 1/2 x 7/16")	1	2
27			Locknut (5/16-24)	1	1
28			Washer, Nylon (1/4 x 1/2 x 1/32")	1	3
29			Locknut (1/4-28)	1	2
30			Link, Connecting, Foot Tilt, Vent, Black	1	1
31			Decal, Pedal Tilt	1	1
NOTE: A - Assembly includes items 2 thru 17. Right and Left side hardware are the same. B - Assembly includes items 18 thru 31. Right and Left side hardware are the same.					