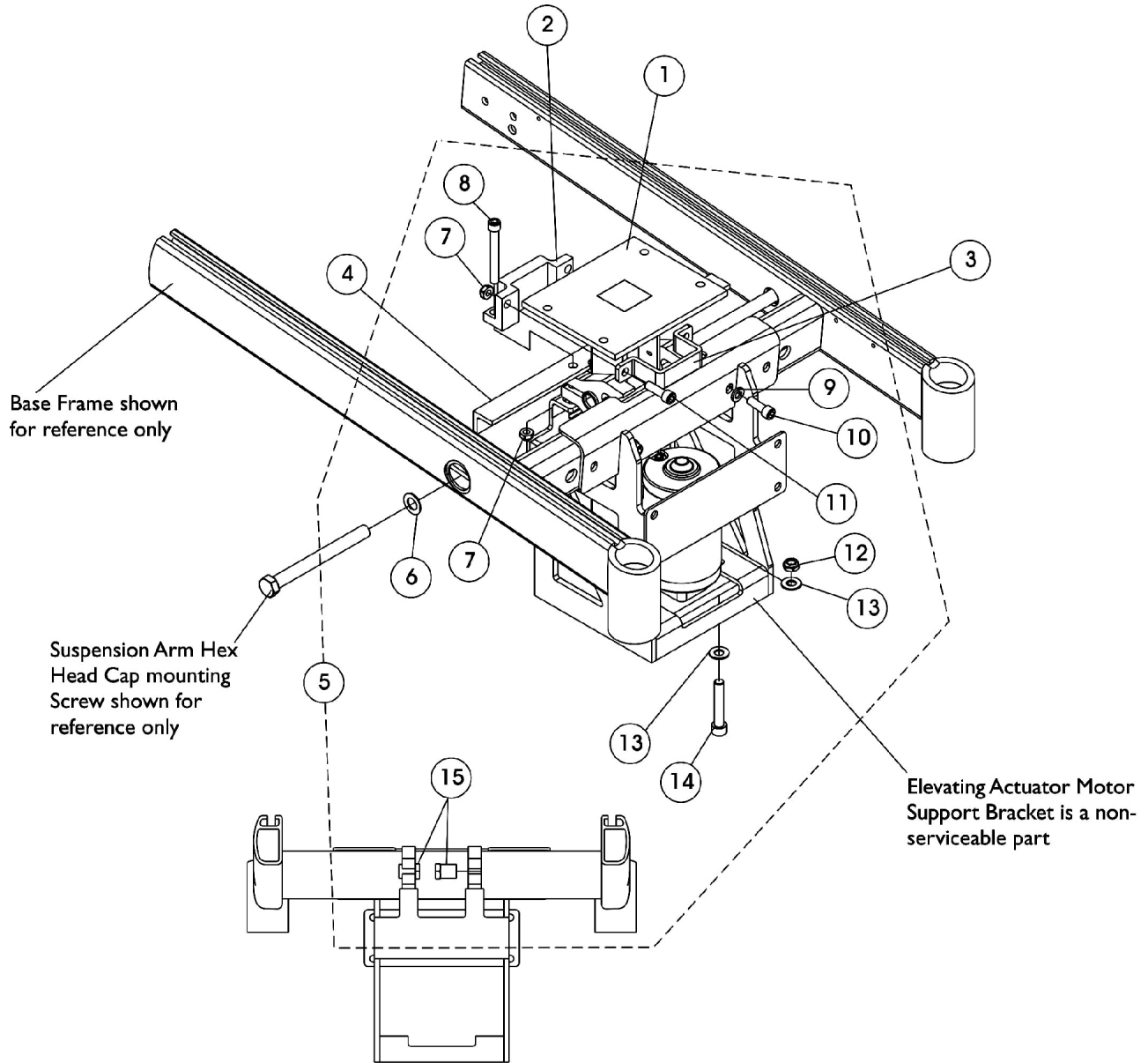


Elevate Actuator Motor and Mounting Hardware For 3G Storm



Rear View of Base Assembly to show
Hex Head Cap Shoulder Nut

Elevate Actuator Motor and Mounting Hardware For 3G Storm

Item Number	Note	Part Number	Description	Quantity Per	
				Package	Assembly
1		TRC0367	Actuator Motor Assembly, Elevate	1	1
2		TRX3806	Mount, Actuator Motor, Elevate, Black	1	1
3		TRX3805	Clamp, Actuator Motor, Elevate, Black	1	1
4		1144772-NLA	NLA - Bracket, Battery Support Cross Member	1	1
5	A	1144591	Kit, Base Frame Elevate Hardware Formula CG	1	1
6			Washer (1/4 x 9/16 x 1/16")	1	2
7			Locknut (5/16-18)	1	4
8			NLA - Screw, Allen Head (5/16-18 x 2-1/2")	1	2
9			NLA - Lockwasher, Split (5/16")	1	2
10			Screw, Socket Head w/ Patch (5/16-18 x 7/8")	1	2
11			NLA - Screw, Socket Head w/ Patch (5/16-18 x 1")	1	2
12			Locknut, Low Profile (3/8-16)	1	4
13			Washer, Nylon (3/8 x 13/16 x 1/16")	1	8
14			Screw, Socket Head w/ Patch (3/8-16 x 2")	1	4
15			Nut, Hex Head Cap Shoulder (1/2-20)	1	2

NOTE: A - Includes items 6-15