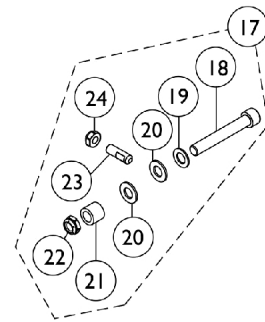
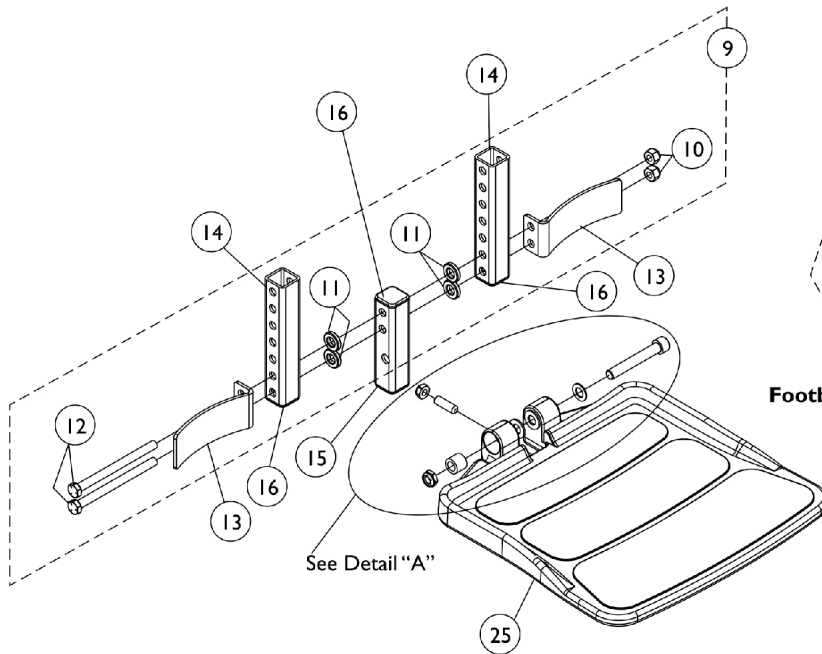
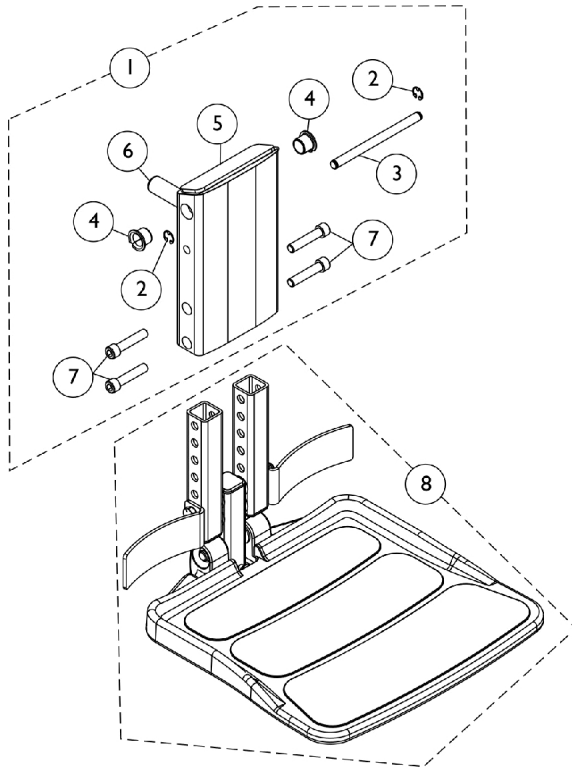


Front Rigging - Center Mount Rigging (CTMT-FJ with CTMTFB One PC Flip-Up Footboard)

(CTMT-FJ = 9-1/4"-12" Range)



Detail "A"
Footboard Mounting Hardware

Front Rigging - Center Mount Rigging (CTMT-FJ with CTMTFB One PC Flip-Up Footboard) (CTMT-FJ = 9-1/4"-12" Range)

| Item Number | Note | Part Number | Description | Quantity Per | |
|-------------|------|-------------|------------------------------------------------------------|--------------|----------|
| | | | | Package | Assembly |
| 1 | A | 1154209-NLA | NLA - Legrest Support Assembly, Center Mount Rigging | 1 | 1 |
| 2 | | | NLA - Ring, Retainer (1/4 x 1/2 x 1/64") | 1 | 2 |
| 3 | | | NLA - Pin, Angle, Adjustable, ASBA | 1 | 1 |
| 4 | | | Bearing, Flange (1/2 x 13/16 x 1/2") | 1 | 2 |
| 5 | | | NLA - Support, Junior Legrest (CTMTJ/CTMT-FJ) | 1 | 1 |
| 6 | | | Rack, Center Mount Rigging Angle Adjustable | 1 | 1 |
| 7 | | | Screw, Socket Head (5/16-18 x 1-1/2") | 1 | 4 |
| 7 | | 1021344 | Screw, Socket Head (5/16-18 x 1-1/2") | 1 | 4 |
| 8 | B | 1154208 | NLA - Footboard Assembly, CTMTFB (For CTMT-FJ 9-1/4 - 12") | 1 | 1 |
| 9 | C | 1144608-NLA | NLA - Kit, Heel Stop and Extension Tube Mounting Hardware | 1 | 1 |
| 10 | | | Locknut (5/16-18) | 1 | 2 |
| 11 | | | NLA - Bushing, Actuator Motor (3/8 x 3/4 x 5/32") | 1 | 4 |
| 12 | | | NLA - Screw, Hex Head (5/16-18 x 4") | 1 | 2 |
| 13 | | 1153789 | Bracket, Heel Stop, Black | 1 | 2 |
| 14 | | 1154108 | Tube, Extension w/ Cap, Black | 1 | 2 |
| 15 | D | 1144607-NLA | NLA - Tube, Vertical Support with Caps | 1 | 1 |
| 16 | | 1144609 | Package, End Cap (1" Square) | 10 | 1 |
| 17 | E | 1147134 | Kit, Footboard Mounting Hardware | 1 | 1 |
| 18 | | | Screw, Socket Head (3/8-16 x 2-1/2") | 1 | 1 |
| 19 | | | Washer, Flat (3/8 x 11/16 x 1/16") | 1 | 1 |
| 20 | | | Washer, Nylon (3/8 x 3/4 x 1/16") | 1 | 2 |
| 21 | | | Bushing (3/8 x 5/8 x 1/2") | 1 | 1 |
| 22 | | | Locknut, Low Profile (3/8-16) | 1 | 1 |
| 23 | | | Screw, Set Socket Flat Point (5/16-18 x 1") | 1 | 1 |
| 24 | | | Locknut (5/16-18) | 1 | 1 |
| 25 | | 1114311 | Footboard w/ Cover (11-1/4" W x 11-1/2" L) | 1 | 1 |

NOTE: A - Includes items 2-7
B - Includes items 9, 13, 14, 15, 17 and 25
C - Includes items 10-12
D - Vertical Support Tube includes Tube Caps at both ends
E - Includes items 18-24