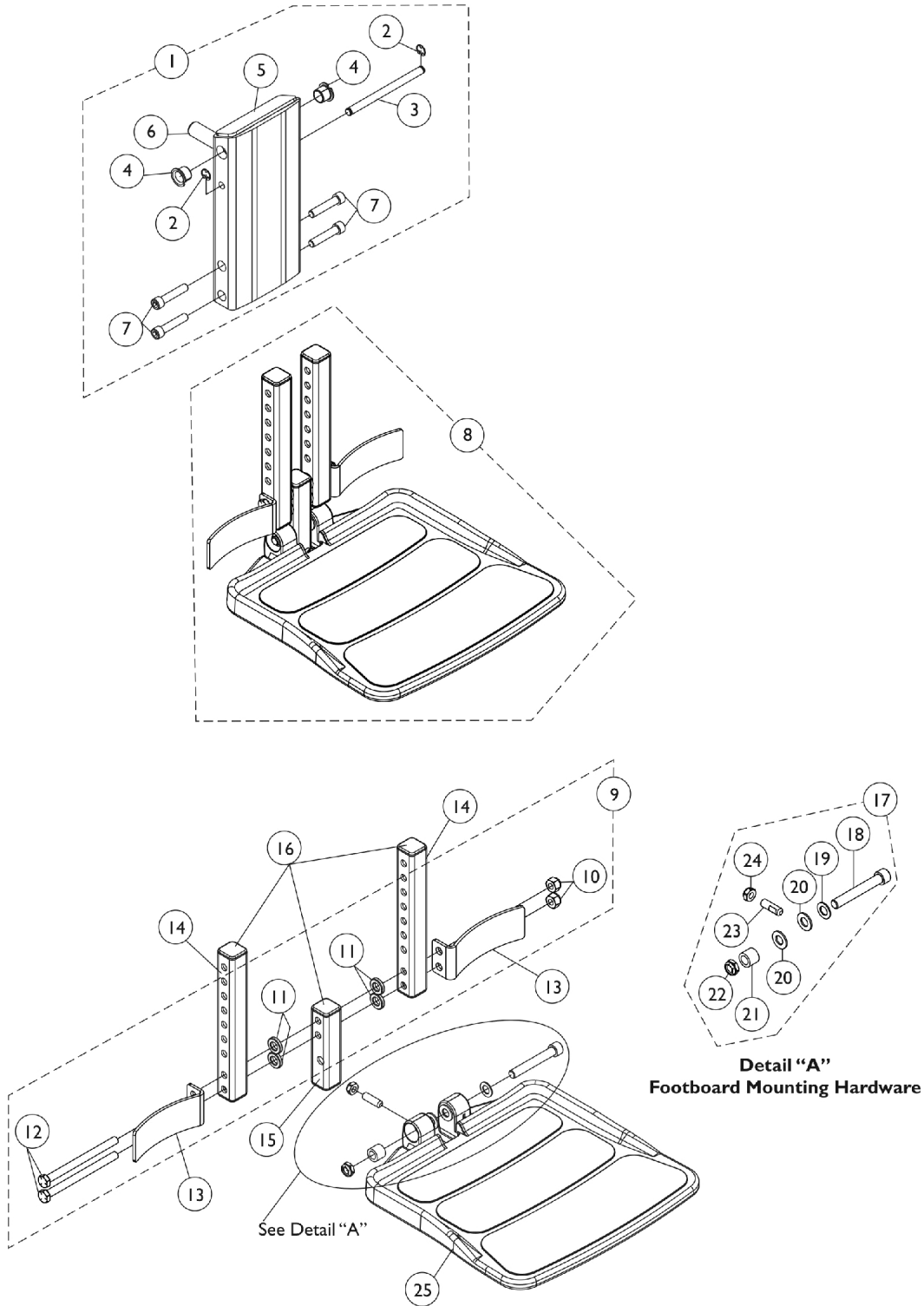


# Front Rigging - Center Mount Rigging (CTMT-F/CTMT-FL with CTMTFB One PC Flip-Up Footboard) (CTMT-F = 12-1/4" - 15" Range) & (CTMT-FL = 16" - 18-3/4" Range)



# Front Rigging - Center Mount Rigging (CTMT-F/CTMT-FL with CTMTFB One PC Flip-Up Footboard) (CTMT-F = 12-1/4" - 15" Range) & (CTMT-FL = 16" - 18-3/4" Range)

Item Number	Note	Part Number	Description	Quantity Per	
				Package	Assembly
1	A	1148725-NLA	NLA - Legrest Support Assembly, Center Mount Rigging	1	1
2			NLA - Ring, Retainer (1/4 x 1/2 x 1/64")	1	2
3			NLA - Pin, Angle, Adjustable, ASBA	1	1
4			Bearing, Flange (1/2 x 13/16 x 1/2")	1	2
5			NLA - Support, Center Mount Rigging Legrest, Black	1	1
6			Rack, Center Mount Rigging Angle Adjustable	1	1
7			Screw, Socket Head (5/16-18 x 1-1/2")	1	4
7		1021344	Screw, Socket Head (5/16-18 x 1-1/2")	1	4
8	B	1148722-NLA	NLA - Footboard Assembly, CTMTFB (For CTMT-F 12-1/4 - 15" & PCTMT 10 - 13")	1	1
8	B	1148724-NLA	NLA - Footboard Assembly, Long, CTMTFB (For CTMT-FL 16 - 18-3/4" & PCTMT-L 14 - 17")	1	1
9	C	1144608-NLA	NLA - Kit, Heel Stop and Extension Tube Mounting Hardware	1	1
10			Locknut (5/16-18)	1	2
11			NLA - Bushing, Actuator Motor (3/8 x 3/4 x 5/32")	1	4
12			NLA - Screw, Hex Head (5/16-18 x 4")	1	2
13	F	1153789	Bracket, Heel Stop, Black	1	2
14	G	1148711-NLA	NLA - Tube, Extension, Black 104355- Short (For CTMT-F 12-1/4" - 15" Range & PCTMT 10"-13" Range)	1	2
14	G	1148721-NLA	NLA - Tube, Extension - Long (For CTMT-FL 16" - 18-3/4" Range & PCTMT-L 14"-17" Range)	1	2
15	D	1144607-NLA	NLA - Tube, Vertical Support with Caps	1	1
16		1144609	Package, End Cap (1" Square)	10	1
17	E	1147134	Kit, Footboard Mounting Hardware	1	1
18			Screw, Socket Head (3/8-16 x 2-1/2")	1	1
19			Washer, Flat (3/8 x 11/16 x 1/16")	1	1
20			Washer, Nylon (3/8 x 3/4 x 1/16")	1	2
21			Bushing (3/8 x 5/8 x 1/2")	1	1
22			Locknut, Low Profile (3/8-16)	1	1
23			Screw, Set Socket Flat Point (5/16-18 x 1")	1	1
24			Locknut (5/16-18)	1	1
25		1114311	Footboard w/ Cover (11-1/4" W x 11-1/2" L)	1	1

NOTE: A - Includes items 2-7  
B - Includes items 9, 13, 14, 15, 17 and 25  
C - Includes items 10-12  
D - Extension Tube and Vertical Support Tube includes Tube Caps at both ends  
E - Includes items 18-24  
F - Heel Stop Bracket was revised 2/6/08. It is recommended to order in pairs to match for chairs manufactured before 2/6/08.  
G - End Caps are no longer used or required for the extension tube as of 4/9/08