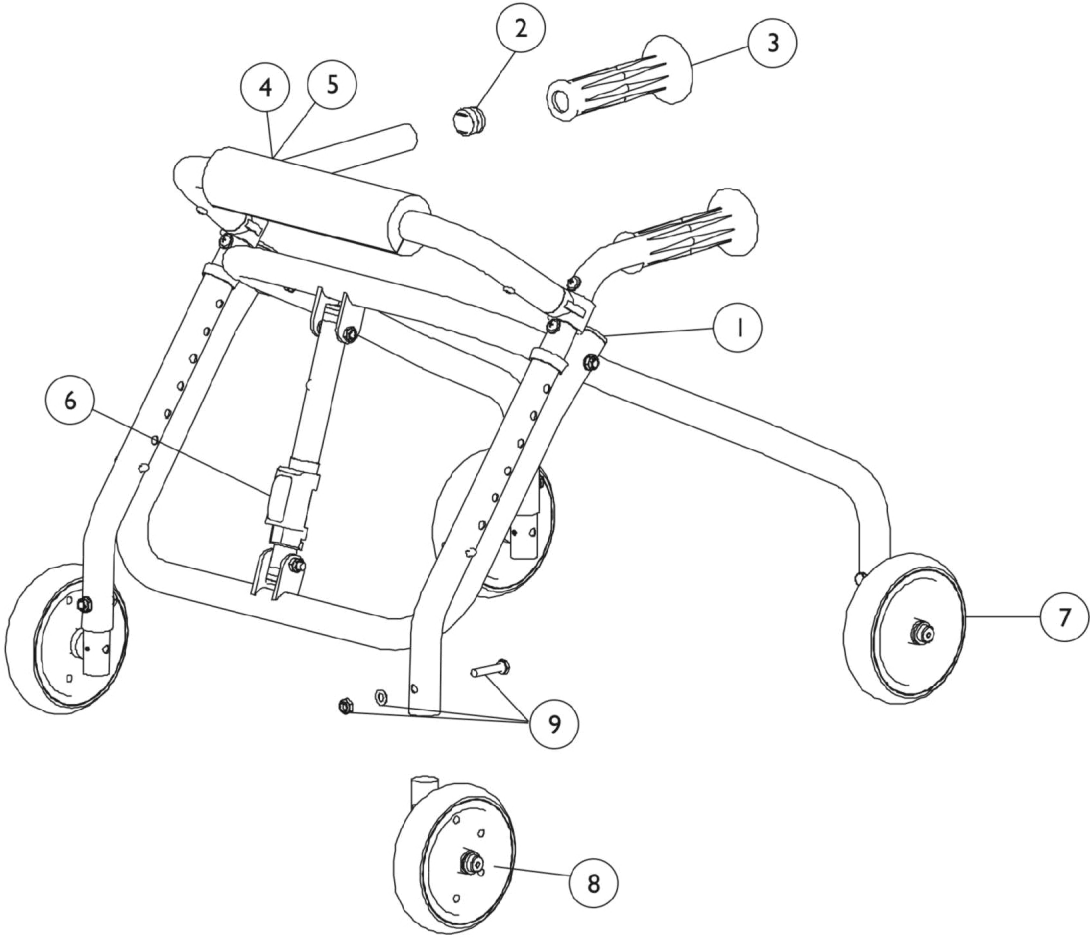


Walker (Pediatric)

Sportsrunner

Model 6210R, 6210B, 6210P - Small

Model 6211R, 6211B, 6211P - Large



Walker (Pediatric)

Item Number	Note	Part Number	Description	Quantity Per	
				Package	Assembly
1		1029501	Plug Button, Black (1")	1	2
2		1027095	Plug Button, Black (7/8")	1	3
3		1099924-NLA	NLA - Grip, Hand, Black	2	1
4		1098977-NLA	NLA - Pad, Foam	1	1
5		1099910-NLA	NLA - Cover, Nylon - U240	1	1
6	A	1099925	NLA - Kit, Folding Lock Assembly	1	1
			Tube, Lock Outside	1	1
			Tube, Lock Inside	1	1
			Plug Button, Black (7/8")	1	1
			Plug Button, Black (3/4")	1	1
			Housing, Button	1	1
			Button, Release	1	1
			Locknut (1/4-20)	1	2
			Washer, Nylon (1/4 x 1/2 x 1/16")	1	2
			Screw, Hex Head (1/4-20 x 1-1/2")	1	2
			Button, Snap Ramp	1	1
			Button, Snap	1	1
6	B	1099929	NLA - Kit, Folding Lock Assembly	1	1
			Tube, Lock Outside, Large	1	1
			Tube, Lock Inside, Large	1	1
			Plug Button, Black (7/8")	1	1
			Plug Button, Black (3/4")	1	1
			Housing, Button	1	1
			Button, Release	1	1
			Locknut (1/4-20)	1	2
			Washer, Nylon (1/4 x 1/2 x 1/16")	1	2
			Screw, Hex Head (1/4-20 x 1-1/2")	1	2
			Button, Snap Ramp	1	1
			Button, Snap	1	1
7		6212	Kit, Wheel One-Way	1	1
			Insert, Wheel	1	2
			NLA - Washer, Nylon (13/32 x 1 x 1/4")	1	2
			Screw, Shoulder Hex Socket (3/8 x 2", 5/16-18)	1	2
			Washer, Nylon (3/8 x 3/4 x 1/16")	1	2
			Screw, Socket Head (8-32 X 3/8")	1	2
			Wheel (5")	1	2
			Locknut (1/4-20)	1	2
			Washer (1/4 x 1/2 x 1/32")	1	2
			Screw, Hex Head (1/4-20 x 1-1/4")	1	2
7		1102915-NLA	Kit, Wheel One-Way - Right	1	1
			NLA - Washer, Nylon (13/32 x 1 x 1/4")	1	1
			Screw, Shoulder Hex Socket (3/8 x 2", 5/16-18)	1	1
			Washer, Flat (3/8 x 11/16 x 1/16")	1	1
			Screw, Set Socket Cup Point (#8-32 x 1/4")	1	1
			Wheel (5")	1	1
			Locknut (1/4-20)	1	1

Walker (Pediatric)

Item Number	Note	Part Number	Description	Quantity Per				
				Package	Assembly			
7		1102916-NLA	Washer (1/4 x 1/2 x 1/32")	1	1			
			Screw, Hex Head (1/4-20 x 1-1/4")	1	1			
			Insert, Wheel	1	1			
			Kit, Wheel One-Way - Left	1	1			
			NLA - Washer, Nylon (13/32 x 1 x 1/4")	1	1			
			Screw, Shoulder Hex Socket (3/8 x 2", 5/16-18)	1	1			
			Washer, Flat (3/8 x 11/16 x 1/16")	1	1			
			Screw, Set Socket Cup Point (#8-32 x 1/4")	1	1			
			Wheel (5")	1	1			
			Locknut (1/4-20)	1	1			
			Washer (1/4 x 1/2 x 1/32")	1	1			
			Screw, Hex Head (1/4-20 x 1-1/4")	1	1			
			8		6213	Insert, Wheel	1	1
						Kit, Wheel Two-Way	1	1
Insert, Wheel	1	2						
NLA - Washer, Nylon (13/32 x 1 x 1/4")	1	2						
Screw, Shoulder Hex Socket (3/8 x 2", 5/16-18)	1	2						
Washer, Nylon (3/8 x 3/4 x 1/16")	1	2						
Screw, Socket Head (8-32 X 3/8")	1	2						
Bushing (15/32 x 3/8")	1	2						
Wheel (5" x 1")	1	2						
Locknut (1/4-20)	1	2						
Washer (1/4 x 1/2 x 1/32")	1	2						
Screw, Hex Head (1/4-20 x 1-1/4")	1	2						
8		1099926-NLA				NLA - Kit, Wheel Two-Way - Right/Left	1	2
		9				1099930-NLA	NLA - Kit, Wheel Hardware	1
Screw, Hex Head (1/4-20 x 1-1/4")	1		1					
Washer (1/4 x 1/2 x 1/32")	1		1					
Locknut (1/4-20)	1		1					
6214	Kit, Rubber Tip Assembly		1	1				
	Bolt, Curved Head (1/4-20 x 1-1/4")		1	2				
	Washer (1/4 x 1/2 x 1/32")		1	2				
	Locknut (1/4-20)		1	2				
	NLA - Tip, Rubber, Black (3/4" Tubing)		1	2				
	Insert, Wheel		1	2				
C	1099931-NLA		NLA - Package, Rubber Tip	2	4			
C	1046319-NLA		NLA - Paint, Touch-Up, 17P Cobalt Blue	1	1			
C	1031455-NLA	NLA - Paint, Touch-Up, 33P Red	1	1				
C	1031456-NLA	NLA - Paint, Touch-Up, 08P Deep Purple	1	1				

NOTE: A - To be used with Model 6210's.
 B - To be used with Model 6211's.
 C - Not Shown.