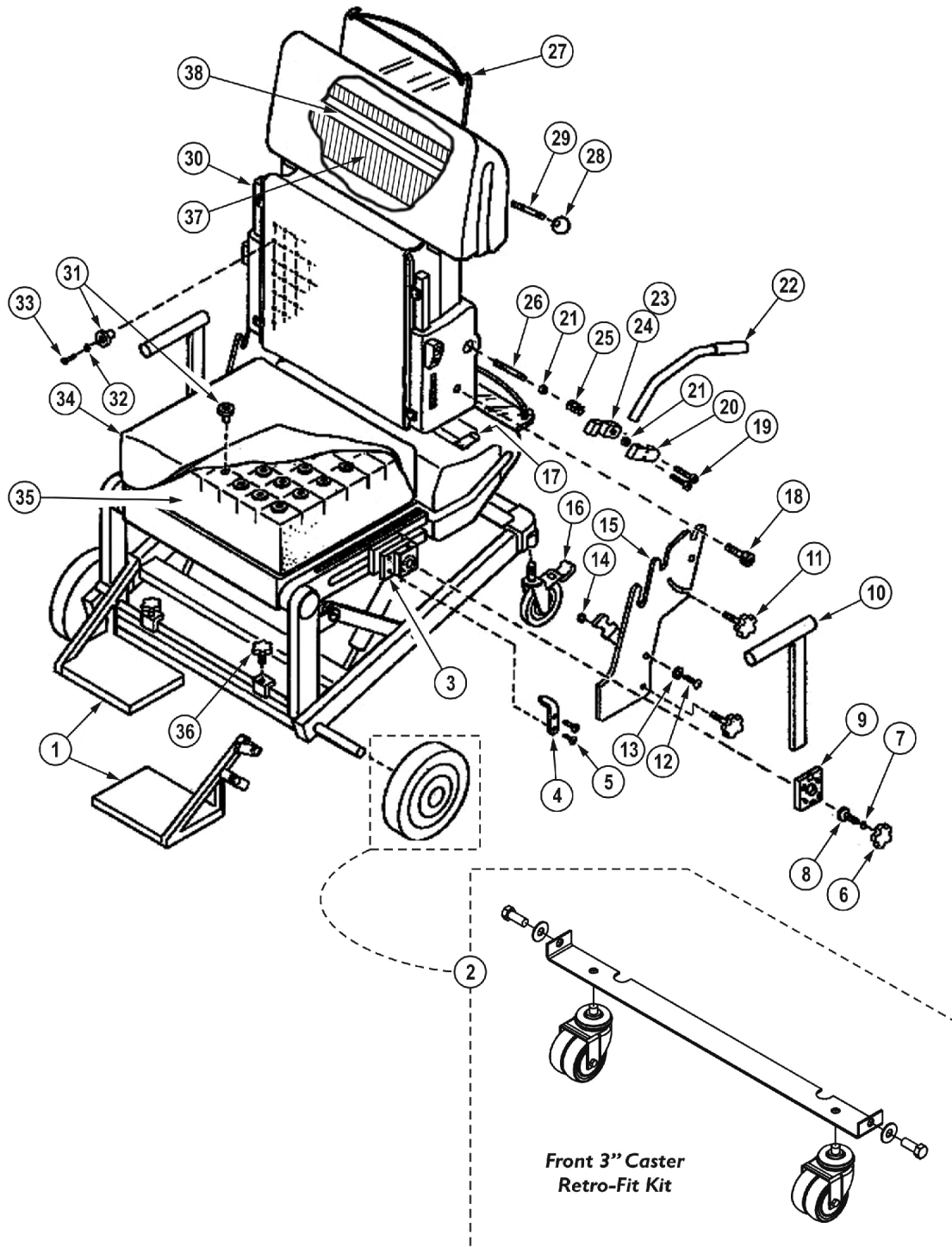


PinDot Silhouette Shape Sensor and (ContourU Before 9/1/09) Hardware

For assistance on ContourU Hardware manufactured after 8/31/09 contact PinDot Customer Service at 1-800-451-3553.



PinDot Silhouette Shape Sensor and (ContourU Before 9/1/09) Hardware

For assistance on ContourU Hardware manufactured after 8/31/09 contact Pindot Customer Service at
1-800-451-3553.

Item Number	Note	Part Number	Description	Quantity Per	
				Package	Assembly
1	C	3002085-NLA	NLA - Footrest Assembly - Left	1	1
1	C	3002086-NLA	NLA - Footrest Assembly - Right	1	2
2	E	1163427-NLA	NLA - Kit, Front 3" Dual Swivel Caster Retro-Fit	1	1
			Caster, Swivel Dual (3")	1	2
			Bar, Caster, Silver	1	1
			Screw, Hex Head (1/2-13 x 1-1/4")	1	2
			Washer, Steel (1/2 x 1-1/4 x 1/16")	1	2
3		3001878-NLA	NLA - Bracket, Height Adjustable, Silver	1	2
4		3001836-NLA	NLA - Seat, Depth Pointer	1	2
5		1100046	Screw, Hex Head (1/4-20 x 1-1/4")	1	2
6		3001868-NLA	NLA - Knob Washer Assembly	1	4
7		1200157-NLA	NLA - O-Ring (11/32 x 7/32 x 1/16")	1	2
8		1100259-NLA	NLA - Screw, Hex Head (5/16-18 x 1/2")	1	2
9		3001280-NLA	NLA - Plate, Friction	1	2
10		3002926-NLA	NLA - Armrest	1	1
11		3003003-NLA	NLA - Knob, Nylon (5/16-18 x 1")	1	4
12		1009838	Screw, Socket Button (1/4-20 x 3/4")	1	2
13		1100039	Washer (1/4 x 9/16 x 1/16")	1	4
14		1100084-NLA	NLA - Locknut, Nylon (1/4-20)	1	2
15		3002573-NLA	NLA - Plate, Side	1	2
16	B	1110961-NLA	NLA - Caster, Dual Lock (5")	1	2
16	B	1110962-NLA	NLA - Casters, Dual Lock (5")	2	1
16	D	1110425-NLA	NLA - Kit, Caster 5" Swivel with Brake	2	1
16		1123548	Caster Assembly, Swivel w/ Brake (5")	1	2
17		3002631-NLA	NLA - Handle Assembly, Seat, Black	1	2
18		1100379-NLA	NLA - Screw, Shoulder Hex Socket Head (1/2 x 1/2", 7/16-24)	1	2
19		1100027-NLA	NLA - Screw, Socket Head (1/4-20 x 7/8")	1	1
20		3002661-NLA	NLA - Lever, Clamp, Silver - Top	1	2
21		1200120-NLA	NLA - Collar, One Piece (41/64" Dia.)	1	1
22		3002645-NLA	NLA - Lever Handle Assembly	1	1
23		1100362-NLA	NLA - Screw, Set Socket Cone Point (#8-32 x 5/8")	1	1
24		3002662	Lever, Clamp, Silver - Bottom	1	1
25		1250035-NLA	NLA - Spring, Compression (27/32 x 1-1/4 x 3/64")	1	1
26		3003001-NLA	NLA - Lever Pivot	1	1
27	A	3001790-NLA	NLA - Imprint Data Board Assembly	1	1
28		1200103-NLA	NLA - Knob, Ball (1-7/8" OD 5/16" Thread)	1	1
29		3002117-NLA	NLA - Stud Imprint Handle, Finished	1	1
30		3002563-NLA	NLA - Cover, Back, Printed	1	1
31		3001287	Cap, Sensor	1	100
32		3002648-NLA	NLA - Grommet, Spur	1	100
33		1100373-NLA	NLA - Screw, Phillips Flat Head Tap (#8-1/4)	1	100
34		3001795-NLA	NLA - Cover, Cushion	1	1
35		3001794-NLA	NLA = Cushion, Foam Measuring	1	1

PinDot Silhouette Shape Sensor and (ContourU Before 9/1/09) Hardware

For assistance on ContourU Hardware manufactured after 8/31/09 contact PinDot Customer Service at 1-800-451-3553.

Item Number	Note	Part Number	Description	Quantity Per	
				Package	Assembly
36		1200124-NLA	NLA - Knob, Plastic, Black	1	2
37		3001455-NLA	NLA - Abacus Guide Rod	1	102
38		3002116-NLA	NLA - Imprint Crossbar	1	1
<p>NOTE: A - Need 2 for Seat and Back. B - If replacing casters on chairs built before March 1, 2002, refer to part number 1123548 and order 2 ea. C - After 2/23/07 the Footrest Assembly Pt # 3002086 was manufactured to be used as a RT or LT side. D - Caster Kit part number 1110425 is no longer available. refer to part number 1123548 and order 2 ea. E - 8" Wheel is no longer available. Order Retro-Fit kit part number 1163427 as a direct replacement. Includes the casters, caster bar and mounting hardware.</p> <p>Items 1-16 and 18 used for Silhouette Shape Sensor and (ContourU Before 9/1/09). Items 17 and 19-38 used for Silhouette Shape Sensor only.</p>					